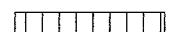
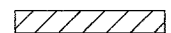
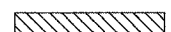
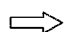




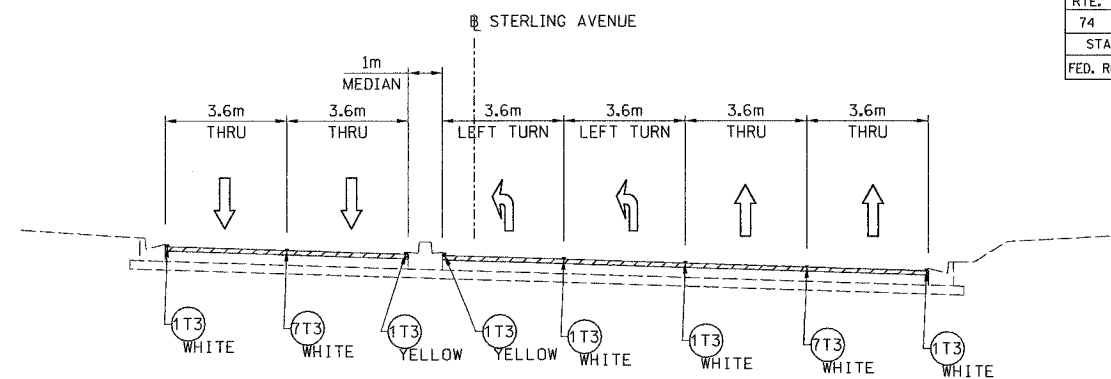
F.A. RTE.	SECTION	COUNTY	TOTAL SHEETS	SHEET NO.
74	(72-7)R-3	PEORIA	1360	135
STA.		TO STA.		
FED. ROAD DIST. NO.		ILLINOIS	FED. AID PROJECT	

LEGEND

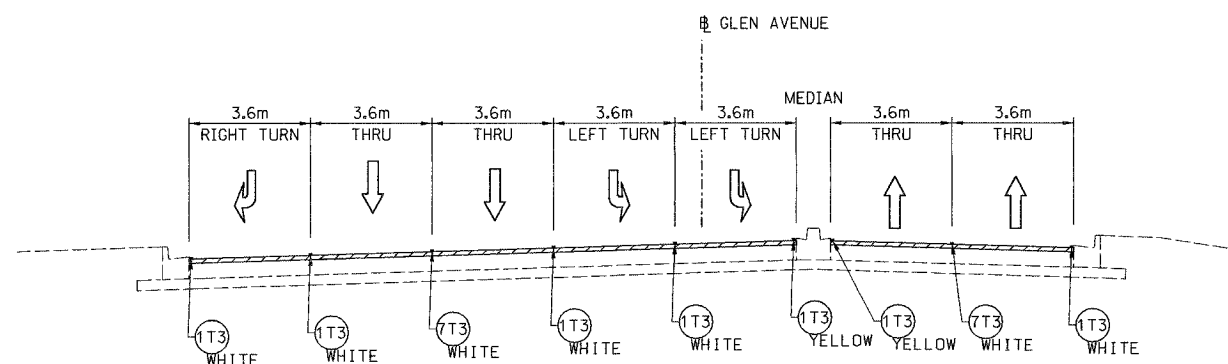
-  TEMPORARY PAVEMENT
-  CONSTRUCTION THIS STAGE
-  CONSTRUCTION IN PROCEEDING STAGES
-  DIRECTION OF TRAFFIC
-  PLASTIC DRUM LIGHTED WITH STEADY BURNING MONODIRECTIONAL LIGHT AT 15.0m O.C. (TYP)
-  TEMPORARY CONCRETE BARRIER

TEMPORARY PAVEMENT MARKING TAPE, TYPE III

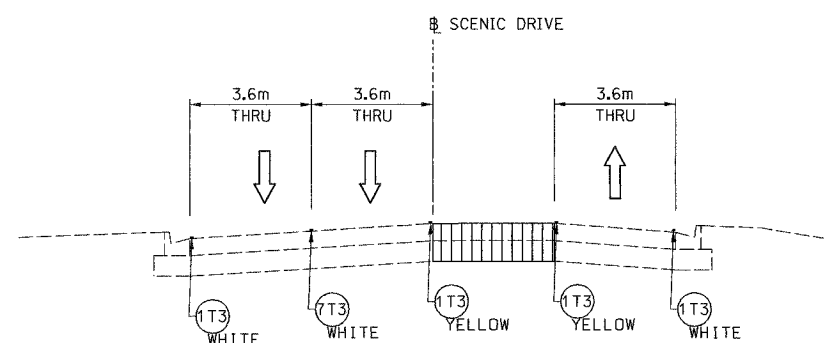
- (1T3) 100 mm SOLID
- (1W3) 100 mm SOLID, WET
- (6T3) 100 mm DOUBLE SOLID
- (7T3) 100 mm SKIP DASH



TYPICAL SECTION 4; STERLING AVENUE
STA. 100+910 TO STA. 101+010



TYPICAL SECTION 5; GLEN AVENUE
STA. 101+031 TO STA. 101+074



TYPICAL SECTION 6; SCENIC DRIVE
STA. 100+050 TO STA. 10+225
(SOUTH OF WAR MEMORIAL DRIVE)

NOTES:

1. WORK AREA OF ENTIRE STAGE SHOWN. OPERATE USING SMALLER, MOVING WORK AREAS IN CONFORMANCE WITH THE WORKING RESTRICTIONS OF THE SPECIAL PROVISIONS AND STAGE 3-1 MOT SCHEMATIC.
2. MAINTAIN PRE-EXISTING LANE ASSIGNMENTS IN AREAS AWAY FROM ACTIVE WORK AREA.
3. EXISTING BASE COURSE WHICH REMAINS IS CROWNED. PROPOSED CROWN MAY NOT BE AT SAME LOCATION AS THE EXISTING CROWN.
4. ONLY CURB AND GUTTER SECTIONS SHOWN. AREAS OF EXISTING SHOULDERS IN LIEU OF CURB AND GUTTER SIMILAR UNLESS OTHERWISE NOTED

REVISIONS	
NAME	DATE

ILLINOIS DEPARTMENT OF TRANSPORTATION
MOT TYPICAL SECTIONS
WAR MEMORIAL DRIVE
STAGE 3-1

DRAWN BY CADD

CHECKED BY KJW

DATE 11/12/04

