

F.A. RTE.	SECTION	COUNTY	TOTAL SHEETS	SHEET NO.
74	(72-73R-3)	PEORIA	1360	126
STA. 141+250.000		TO STA. 141+600.000		
FED. ROAD DIST. NO.		ILLINOIS FED. AID PROJECT		

### LEGEND

	CONSTRUCTED THIS STAGE		TYPE III BARRICADE WITH FLASHING LIGHTS (ROAD CLOSED)
	CONSTRUCTED IN PRECEDING STAGES		SIGN
	TEMPORARY PAVEMENT		LANE(S) CLOSED
	DIRECTION OF TRAFFIC		
	TEMPORARY CONCRETE BARRIER WITH GLARE SCREEN		
	PLASTIC DRUM		

### PAVEMENT MARKING LEGEND

(1X)	100 (4) SOLID
(2X)	150 (6) SOLID
(3X)	200 (8) SOLID
(4X)	300 (12) SOLID
(5X)	600 (24) SOLID
(6X)	100 (4) DOUBLE SOLID
(7X)	100 (4) SKIP DASH
(8X)	150 (6) SKIP DASH
(9X)	200 (8) SKIP DASH
(10X)	200 (8) DOTTED
(11X)	LETTERS AND ARROWS

### RAISED REFLECTIVE PAVEMENT MARKERS

1	ONE-WAY CRYSTAL MARKER AT 24.38 m(80') CENTERS
2	ONE-WAY CRYSTAL MARKER AT 12.19 m(40') CENTERS
3	ONE-WAY CRYSTAL MARKER AT 6.10 m(20') CENTERS
4	ONE-WAY AMBER MARKER AT 12.19 m(40') CENTERS
5	TWO-WAY AMBER MARKER AT 12.19 m(40') CENTERS FOR SPEEDS LESS THAN 45 MPH
6	TWO-WAY AMBER MARKER AT 24.38 m(80') CENTERS FOR SPEEDS GREATER THAN 45 MPH

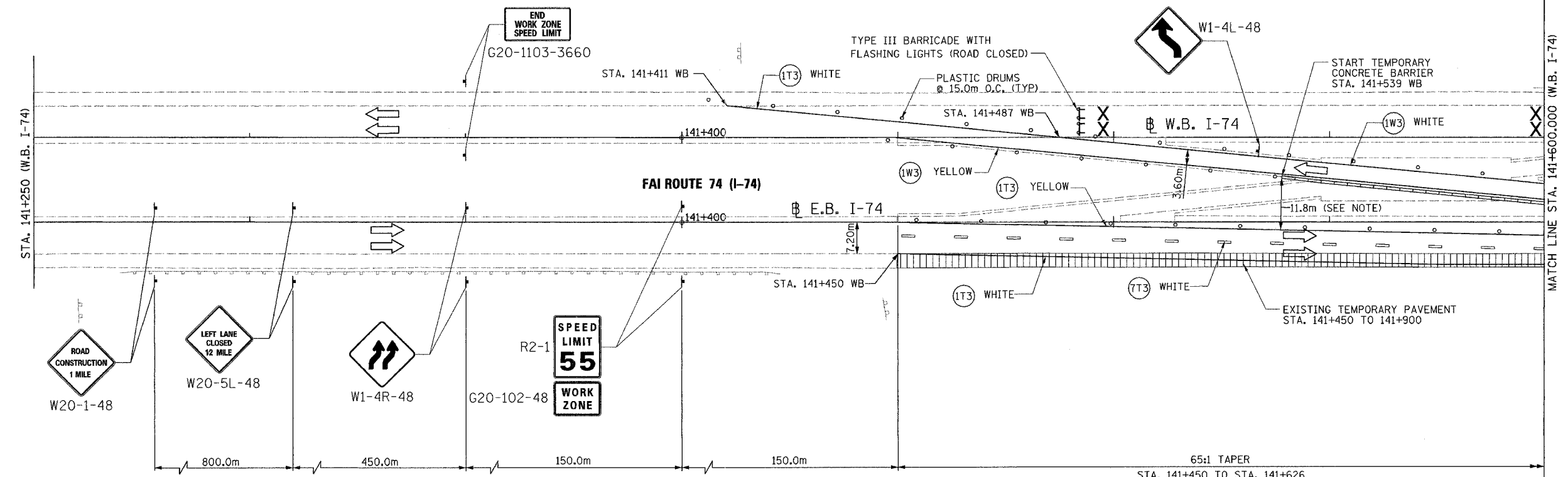
  

WHERE "X" DESIGNATES:

E = EPOXY	WHITE
P = PAINT	YELLOW
T = THERMOPLASTIC	

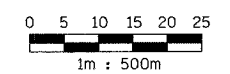
TP= TEMPORARY PAVEMENT MARKING TAPE  
T3= PAVEMENT MARKING TAPE, TYPE III  
W3= WET TEMPORARY PAVEMENT MARKING TAPE, TYPE III

All dimensions are in millimeters (Inches) unless otherwise shown.



- (1W3) 100 mm SOLID, WET TEMPORARY PAVEMENT MARKING TAPE, TYPE III (WHITE)  
WB LT STA. 141+487 TO STA. 141+600
- (1W3) 100 mm SOLID, WET TEMPORARY PAVEMENT MARKING TAPE, TYPE III (YELLOW)  
WB LT STA. 141+450 TO STA. 141+600
- (7T3) 100 mm SKIP DASH, TEMPORARY PAVEMENT MARKING TAPE (WHITE)  
WB RT STA. 141+450 TO STA. 141+600
- (1T3) 100 mm SOLID, TEMPORARY PAVEMENT MARKING TAPE (YELLOW)  
WB RT STA. 141+450 TO STA. 141+600
- (1T3) 100 mm SOLID, TEMPORARY PAVEMENT MARKING TAPE (WHITE)  
WB RT STA. 141+450 TO STA. 141+600  
WB LT STA. 141+411 TO STA. 141+487

NOTE:  
1. DISTANCE SHOWN IS BETWEEN THE EXPOSED, BACK CORNER OF THE TEMPORARY CONCRETE BARRIER AND THE INSIDE EDGE OF THE EB LANE (FOR CLEAR ZONE VERIFICATION).



**PARSONS TRANSPORTATION GROUP**  
Engineers and Planners

REVISIONS	
NAME	DATE

ILLINOIS DEPARTMENT OF TRANSPORTATION  
**MAINTENANCE OF TRAFFIC**  
FAI ROUTE 74 (I-74 WB)  
STAGE 3-1  
STA. 141+250.000 - STA. 141+600.000  
DATE 11/12/04  
DRAWN BY CADD  
CHECKED BY KJW