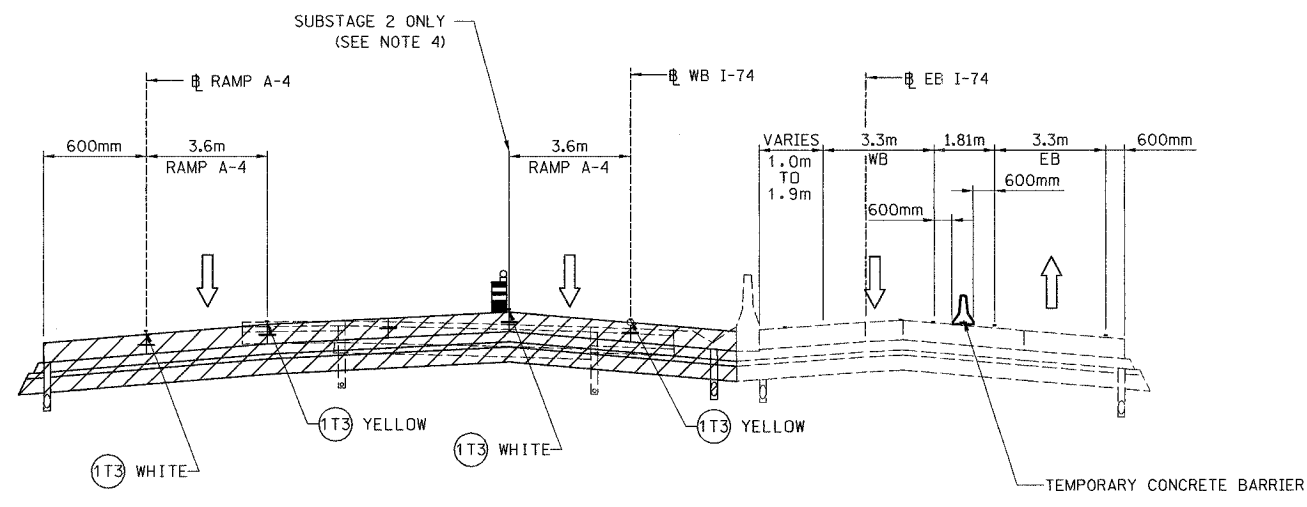


F.A. RTE.	SECTION	COUNTY	TOTAL SHEETS	SHEET NO.
74	(72-71R-3)	PEORIA	1360	148
STA.	TO STA.			
FED. ROAD DIST. NO.	ILLINOIS FED. AID PROJECT			



TYPICAL SECTION-03  
FAI ROUTE 74  
STA. 142+326 WB TO 142+668.5 WB

LEGEND

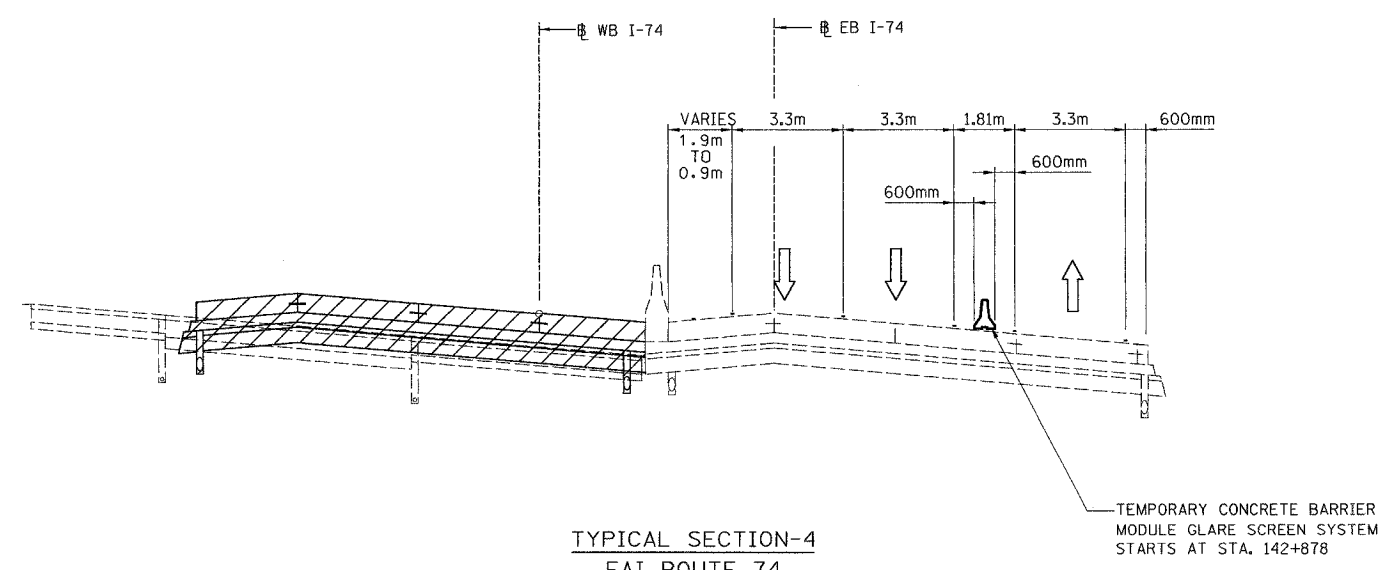
- TEMPORARY PAVEMENT
- CONSTRUCTION THIS STAGE
- CONSTRUCTION IN PROCEEDING STAGES
- DIRECTION OF TRAFFIC
- PLASTIC DRUM LIGHTED WITH STEADY BURNING MONODIRECTIONAL LIGHT AT 15.0m O.C. (TYP)
- TEMPORARY CONCRETE BARRIER

TEMPORARY PAVEMENT MARKING TAPE, TYPE III

- 100 mm SOLID
- 100 mm SOLID, WET
- 100 mm SKIP DASH

NOTE:

1. TEMPORARY CONCRETE BARRIER, MODULE GLARE SCREEN SYSTEM AND PAVEMENT STRIPING ON EB PAVEMENT PLACED IN PREVIOUS STAGE.
2. PORTIONS OF ROADWAY BETWEEN STA. 142+326 AND STA. 142+668.5 TO BE COMPLETED IN PREVIOUS STAGE. SEE MOT PLANS.
3. RAMP A-4 ENTERS ROADWAY NEAR STA. 142+640 (WB I-74)
4. DURING 3-2 SUBSTAGE, SHIFT A-4 TRAFFIC AS SHOWN IN ORDER TO BUILD RAMP PAVEMENT. RETURN A-4 TRAFFIC AFTER RAMP PAVEMENT IS COMPLETE. SEE MOT PLANS.
5. EB LANE FROM RAMP A-2 JOINS MAINLINE AT STA. 143+271 (NOT SHOWN)



TYPICAL SECTION-4  
FAI ROUTE 74  
STA. 142+668.5 WB TO STA. 143+271 WB

REVISIONS	
NAME	DATE

ILLINOIS DEPARTMENT OF TRANSPORTATION  
MOT TYPICAL SECTIONS  
FAI ROUTE 74 (I-74) (WB)  
STAGE 3-2  
SCALE N.T.S. DRAWN BY CADD  
DATE 11/12/04 CHECKED BY KJW

