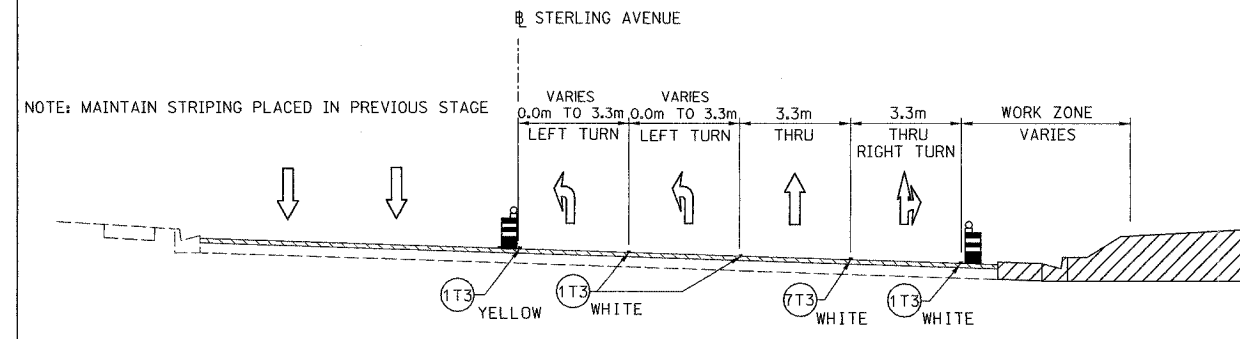
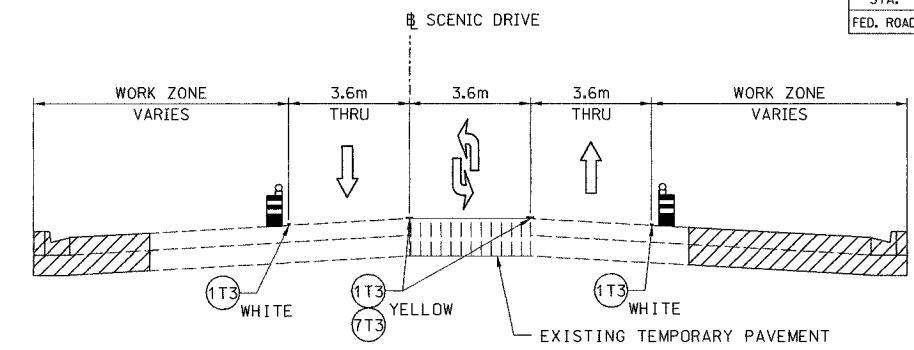


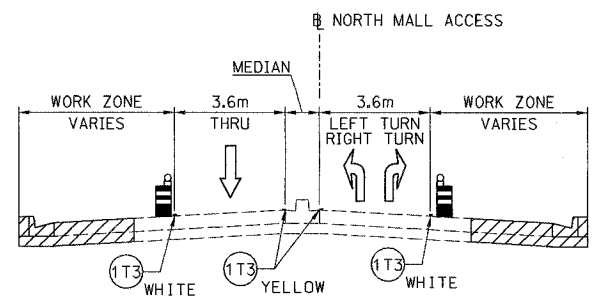
F.A. RTE.	SECTION	COUNTY	TOTAL SHEETS	SHEET NO.
74	(72-71R-3)	PEORIA	1360	157
STA.		TO STA.		
FED. ROAD DIST. NO.		ILLINOIS FED. AID PROJECT		



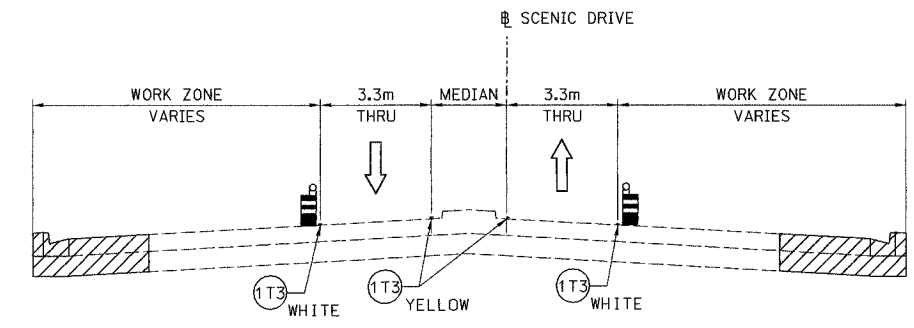
TYPICAL SECTION 4; STERLING AVENUE
STA. 100+910 TO STA. 101+010



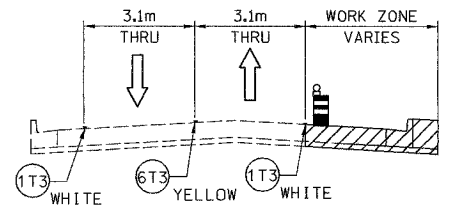
TYPICAL SECTION 5; SCENIC DRIVE
STA. 100+050 TO STA. 10+225
(SOUTH OF WAR MEMORIAL DRIVE)



TYPICAL SECTION 7; NORTH MALL ACCESS
STA. 9+926 TO STA. 9+993



TYPICAL SECTION 6; SCENIC DRIVE
STA. 10+247 TO STA. 10+291
(NORTH OF WAR MEMORIAL DRIVE)



TYPICAL SECTION 8; BRANDYWINE DRIVE

LEGEND

	TEMPORARY PAVEMENT		TEMPORARY PAVEMENT MARKING TAPE, TYPE III
	CONSTRUCTION THIS STAGE		100 mm SOLID
	CONSTRUCTION IN PROCEEDING STAGES		100 mm SOLID, WET
	DIRECTION OF TRAFFIC		100 mm DOUBLE SOLID
	PLASTIC DRUM LIGHTED WITH STEADY BURNING MONODIRECTIONAL LIGHT AT 15.0m O.C. (TYP)		100 mm SKIP DASH
	TEMPORARY CONCRETE BARRIER		

REVISIONS		ILLINOIS DEPARTMENT OF TRANSPORTATION MOT TYPICAL SECTIONS WAR MEMORIAL DRIVE STAGE 3-2
NAME	DATE	

DATE 11/12/04

DRAWN BY CADD
CHECKED BY KJW

