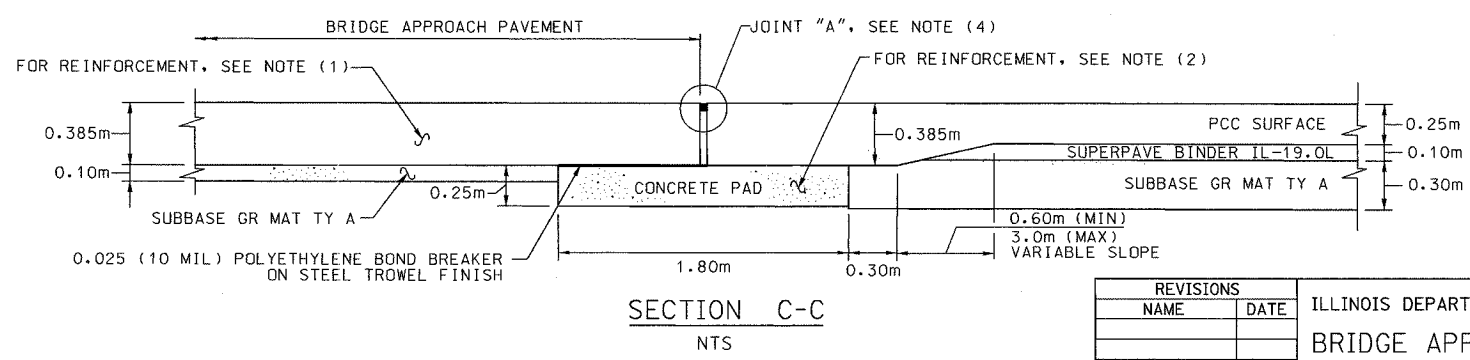
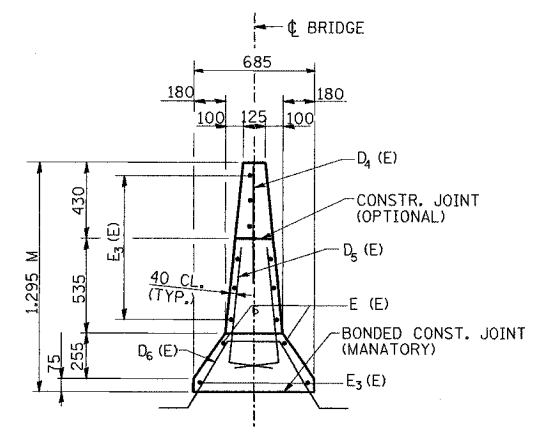
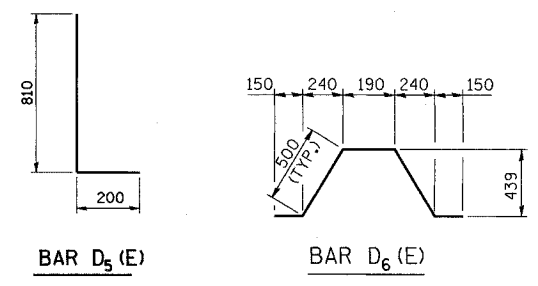
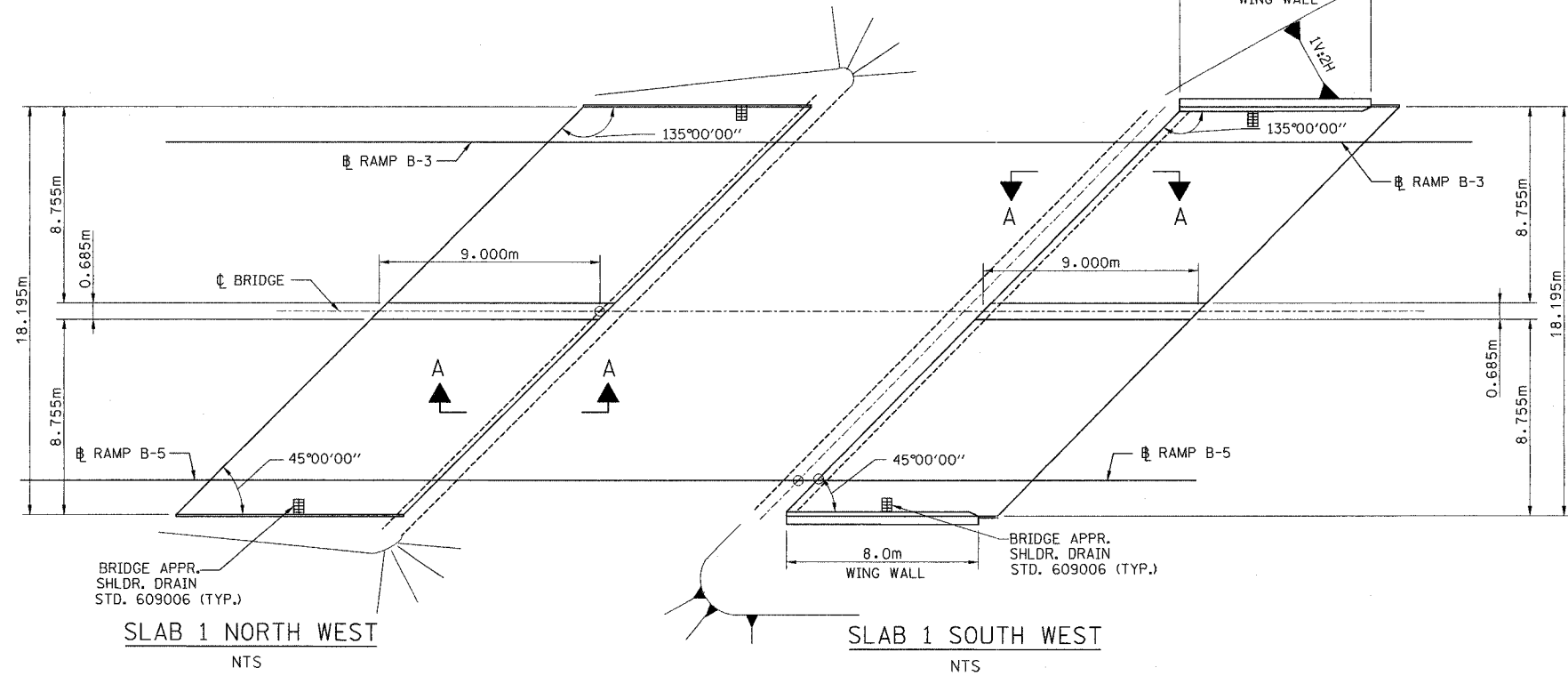
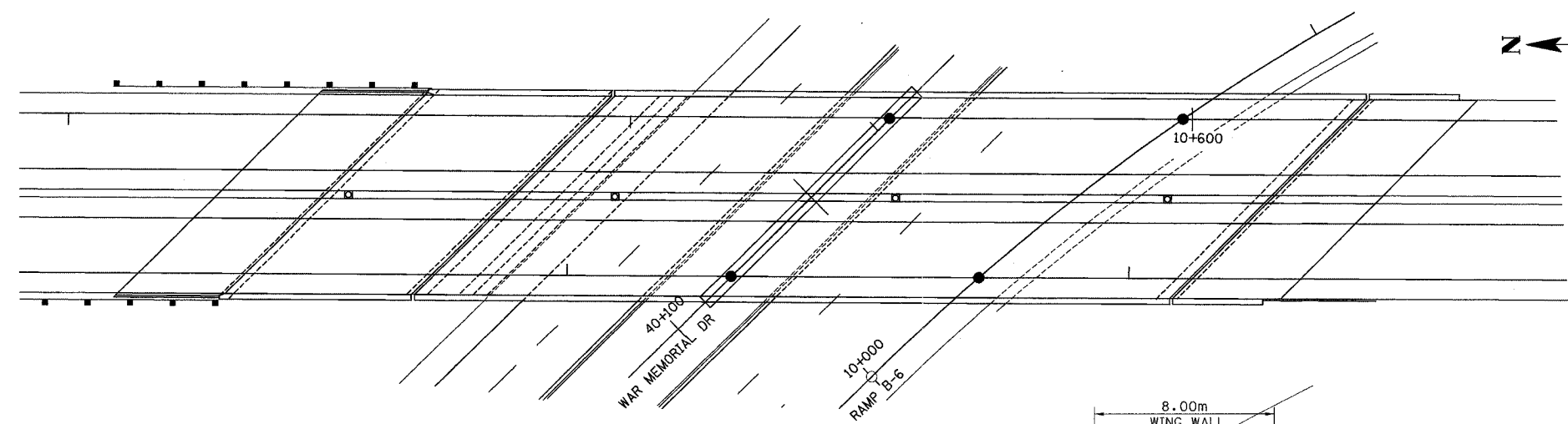
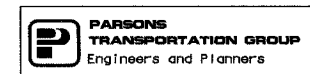


F.A. RTE.	SECTION	COUNTY	TOTAL SHEETS	SHEET NO.
74	(72-71R-3)	PEORIA	1360	115
STA.	TO STA.			
FED. ROAD DIST. NO.	ILLINOIS FED. AID PROJECT			



- NOTES:
- FOR APPROACH SLAB REINFORCEMENT SEE SHT. 1 & 3 OF STANDARD 420401, "BRIDGE APPROACH PAVEMENT".
  - FOR CONCRETE PAD REINFORCEMENT SEE SEC G-G RIGID PAVEMENT OF STANDARD 420401, "BRIDGE APPROACH PAVEMENT".
  - REINFORCEMENT BARS DESIGNATED (E) SHALL BE EPOXY COATED.
  - FOR JOINT "A" DETAIL, SEE PROJECT STANDARD 420402-174, "DETAIL A".

PAY ITEM CODE	ITEM	UNIT	QUANTITY
M4205050	BRIDGE APPROACH PAVEMENT (SPECIAL)	SQ M	327.5



REVISIONS	
NAME	DATE

ILLINOIS DEPARTMENT OF TRANSPORTATION  
 BRIDGE APPROACH PAVEMENT  
 FAI ROUTE 74 (I-74) (WB)  
 RAMPS B-3/B-5 OVER WAR MEMORIAL DRIVE  
 DRAWN BY CADD  
 CHECKED BY MWP  
 DATE 11/12/04