

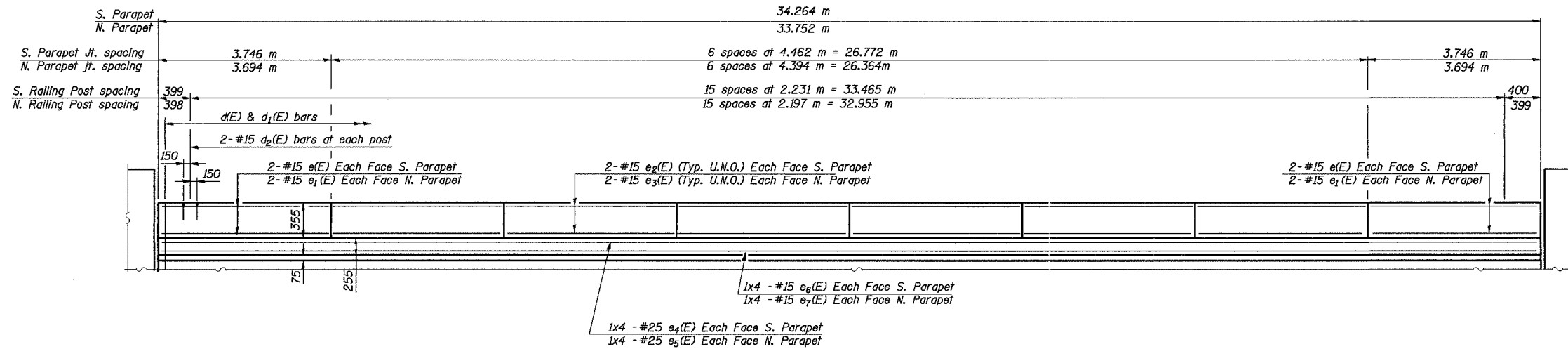
Time: 09:03:36 AM

Date: 11/19/2004

Filename: P:\649996\str\lctur\03\072-Sheet\Tracings\SD0005-1A0720172.dgn

ROUTE NO.	SECT.	COUNTY	SHEET NO.	TOTAL SHEETS
F.A.I. 74	(72-7) R-3	PEORIA	426	1360
FED. ROAD DIST. NO. 7		ILLINOIS	FED. AID PROJECT	

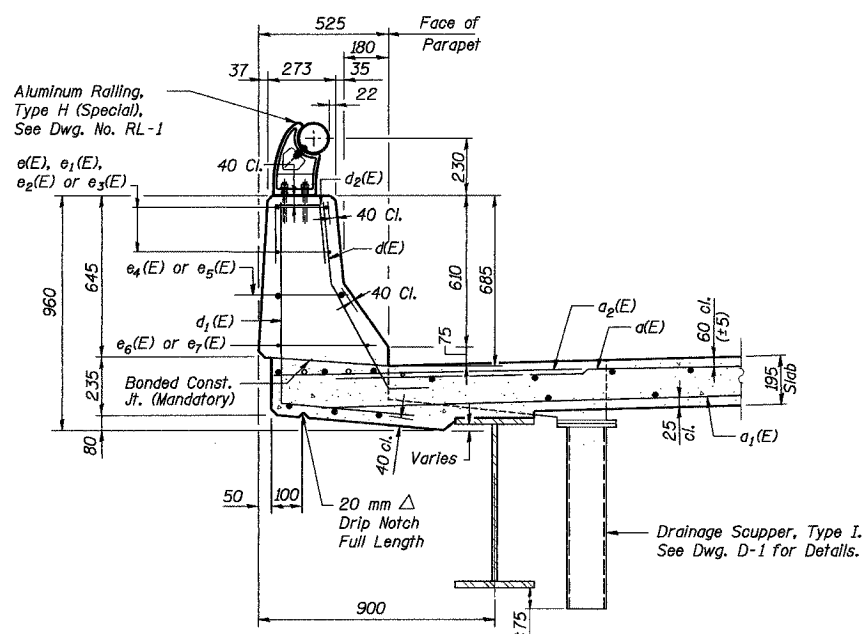
CONTRACT NO. 68200



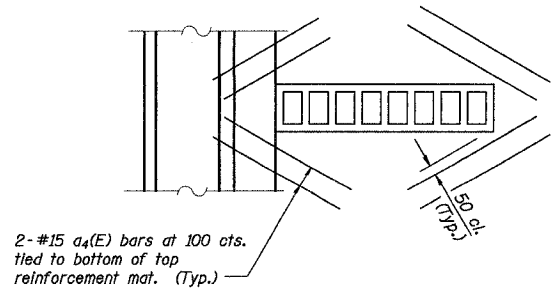
INSIDE ELEVATION OF PARAPET
(Dimensions are along inside face of parapet)

SUPERSTRUCTURE BILL OF MATERIAL

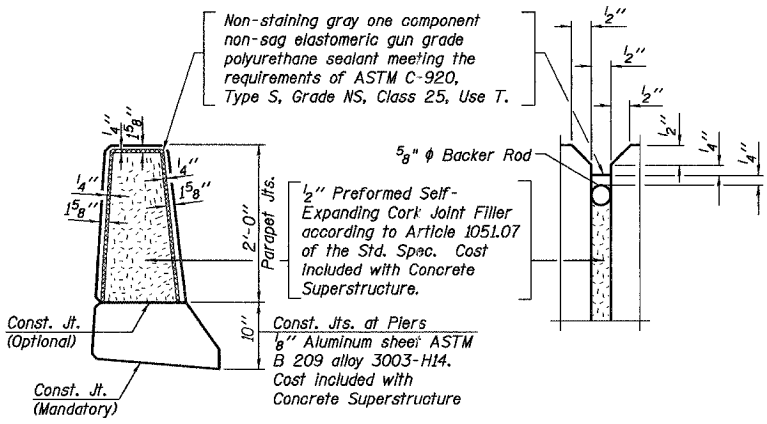
Bar	No.	Size	Length (m)	Shape
a (E)	173	15	8.75	—
a ₁ (E)	138	15	8.50	—
a ₂ (E)	174	20	1.20	—
a ₃ (E)	4	20	13.47	—
a ₄ (E)	16	15	0.60	—
b(E)	128	15	9.05	—
b ₁ (E)	155	15	7.36	—
d(E)	250	15	0.97	—
d ₁ (E)	229	15	1.59	—
d ₂ (E)	64	15	0.64	—
e(E)	8	15	3.66	—
e ₁ (E)	8	15	3.60	—
e ₂ (E)	24	15	4.38	—
e ₃ (E)	24	15	4.30	—
e ₄ (E)	8	25	9.54	—
e ₅ (E)	8	25	9.41	—
e ₆ (E)	8	15	9.03	—
e ₇ (E)	8	15	8.89	—
x(E)	64	15	1.28	—
Concrete Superstructure			m ³	89.4
Reinforcement Bars, Epoxy Coated			kg	10850



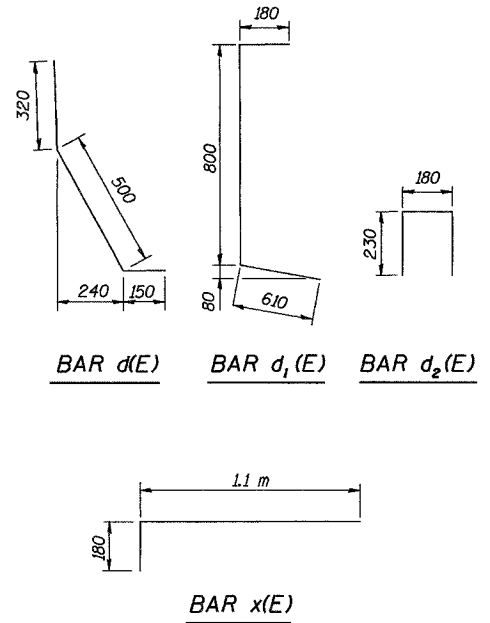
SECTION THRU PARAPET
Note: All edges shall have 20 mm chamfer.



PLAN AT DRAINAGE SCUPPER

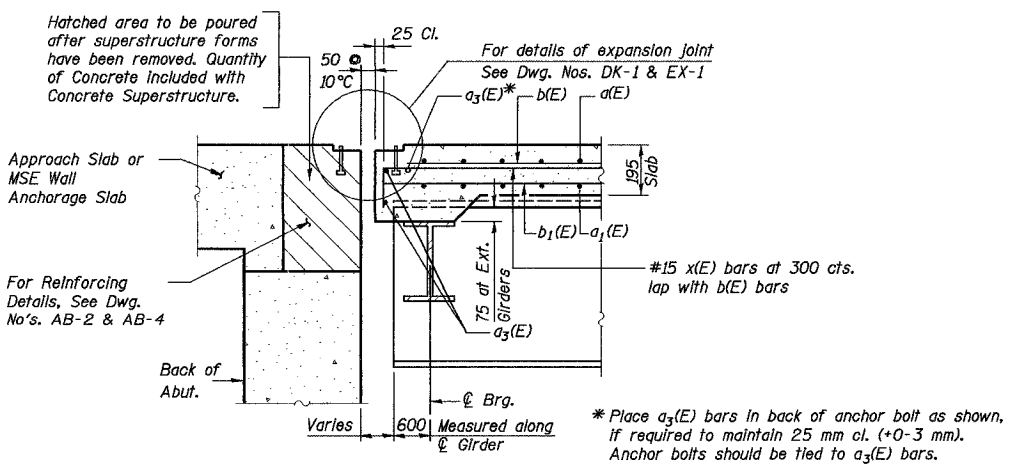


PARAPET JOINT DETAILS



MIN. BAR LAP
#15 Bar = 640 mm
#25 Bar = 1.32 m

Notes:
Work this drawing with Dwg. No. DK-1.
Bars indicated thus 1x3-#15 etc. indicates 1 line of bars with 3 lengths per line.
Reinforcement bars designated (E) shall be epoxy coated.
All dimensions are in millimeters (mm) except as noted.



SECTION A-A
Section at West Abutment Shown
Section at East Abutment Similar

REVISION	DATE	DESCRIPTION
STATE OF ILLINOIS DEPARTMENT OF TRANSPORTATION		
PARAPET ELEVATION & DETAILS		
RAMP A-3 OVER RAMP B-5 F.A.I. ROUTE 74 (SECTION 72-7)R-3 PEORIA COUNTY STA. 10+418.515 (RAMP A-3) STRUCTURE NUMBER 072-0172		
PARSONS TRANSPORTATION GROUP CHICAGO, ILLINOIS		
DRAWING NO. DK-2	SCALE N.T.S.	DATE 11/16/04
		SHEET NO. 7

Designed by: EHF
Checked by: AK
Drafted by: RKS
Checked by: AK