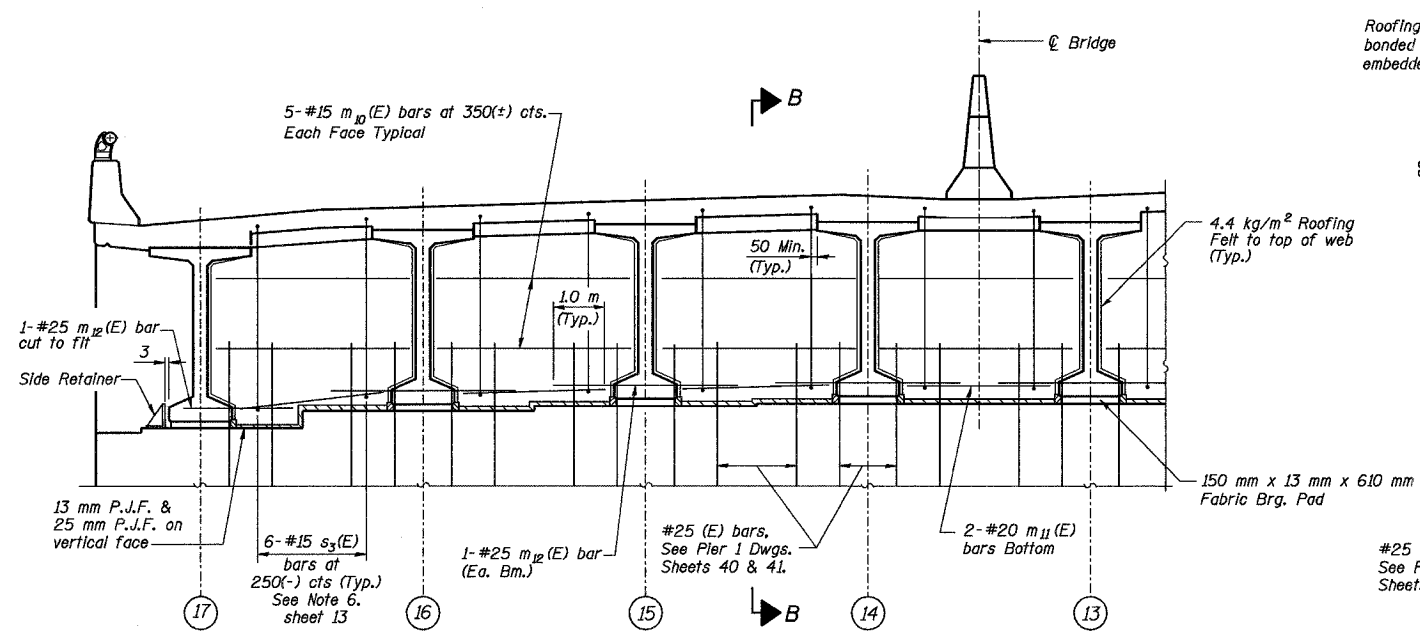
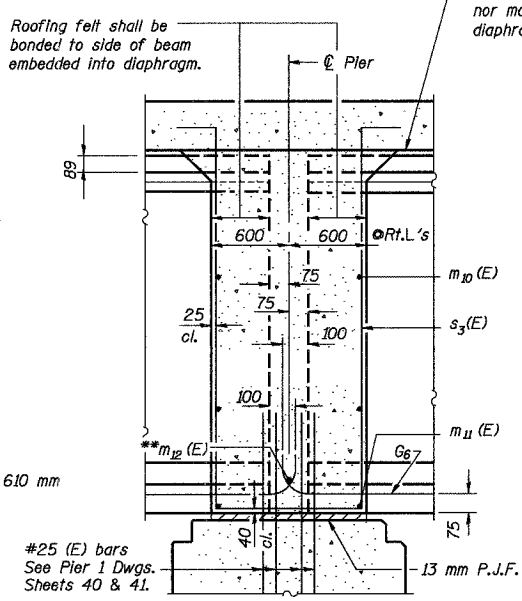


ROUTE NO.	SECT.	COUNTY	SHEET NO.	TOTAL SHEETS
F.A.I. 74	(72-7) R-3	PEORIA	457	1360
FED. ROAD DIST. NO. 7	ILLINOIS	FED. AID PROJECT		

CONTRACT NO. 68200



PARTIAL ELEVATION OF DIAPHRAGM AT PIER 1
(Fixed)

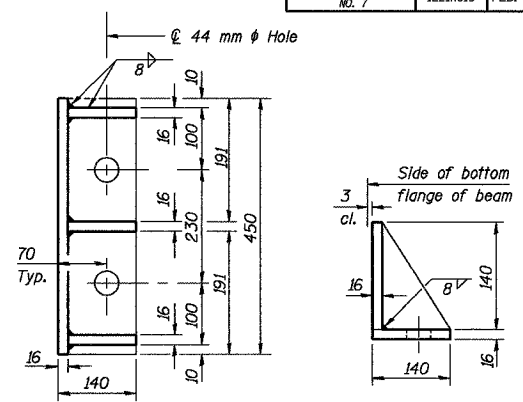


SECTION B-B AT PIER 1
(Fixed)

Note:
Horizontal dimensions for Section B-B are along \bar{c} of beam unless otherwise noted.

** Tie #25 m12 (E) with 3.8 mm wire tightly fastened to prevent any movement between bars.

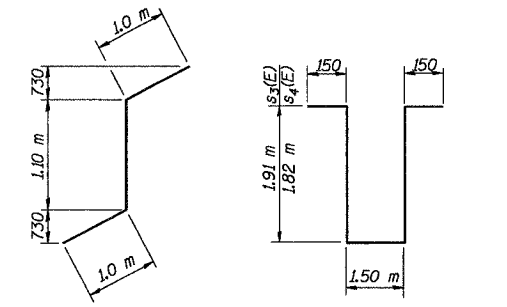
Cast of 4.4 kg/m² roofing felt is included with to "Concrete Superstructure".



PLAN ELEVATION
SIDE RETAINER

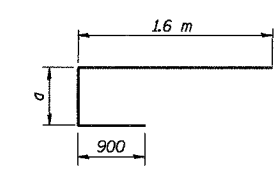
Notes: Equivalent rolled angle with stiffeners will be allowed in lieu of welded plates. Mass included with structural steel.

The side retainer shall be galvanized according to AASHTO M111 and ASTM A385.



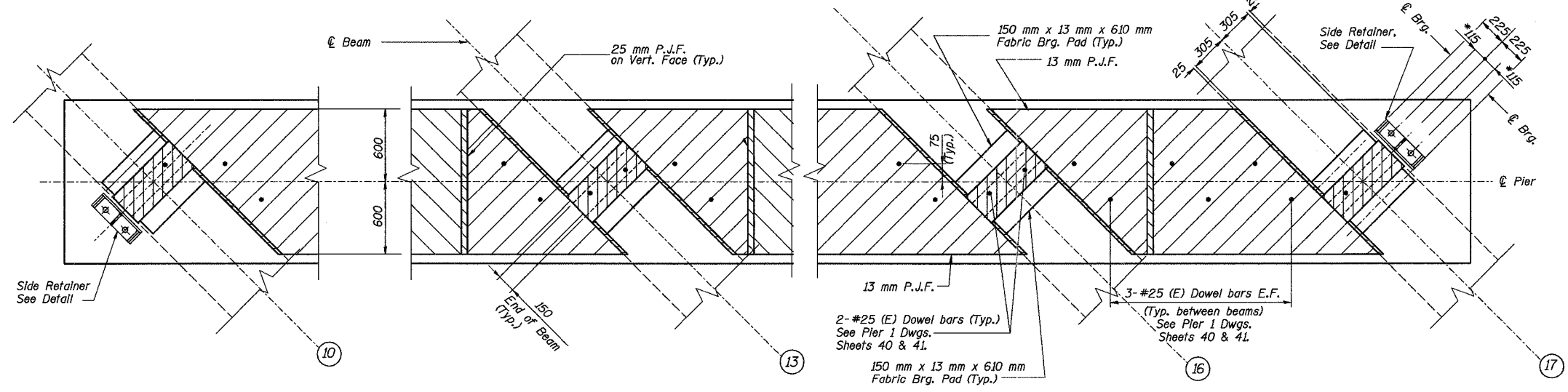
BAR m12 (E) **BARS s3 (E) & s4 (E)**

Bar	a
x(E)	590
x1 (E)	700
x2 (E)	810
x3 (E)	920
x4 (E)	1110



BAR x(E)

Notes:
For notes, see Sheet 13.



PLAN - TOP OF PIER 1 DETAIL
(Fixed)

* \bar{c} M36 x 450 mm Anchor Bolts with 75 x 75 x 8 mm plate washer under nut. Holes in cap to be drilled after beams are in place.

Time: 09:59:26 AM

Date: 1/19/2004

File name: P:\43996\struc\ur-d\072-0183\Sheet1\Tracings\SD0028-1A0720183.dgn

Designed by: AMK
Checked by: AK
Drafted by: JMG
Checked by: AK

REVISION	DATE	DESCRIPTION
STATE OF ILLINOIS DEPARTMENT OF TRANSPORTATION DIAPHRAGM DETAILS - PIER 1		
RAMPS B-1 AND B-4 OVER F.A.I. ROUTE 74 (I-74) RAMPS A-3 AND B-3 F.A.I. ROUTE 74 SECTION (72-7) R-3 PEORIA COUNTY STATION 10+779.03 STRUCTURE NUMBER 072-0183		
PARSONS TRANSPORTATION GROUP CHICAGO, ILLINOIS		
DRAWING NO. 14	SCALE N.T.S.	DATE 2-18-03
		SHEET NO. 14