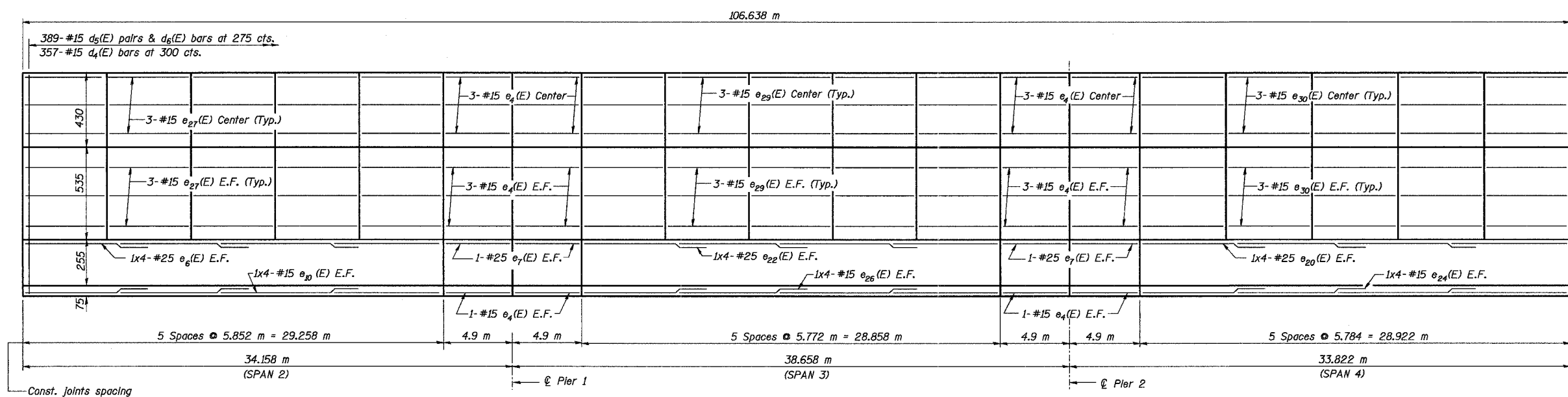
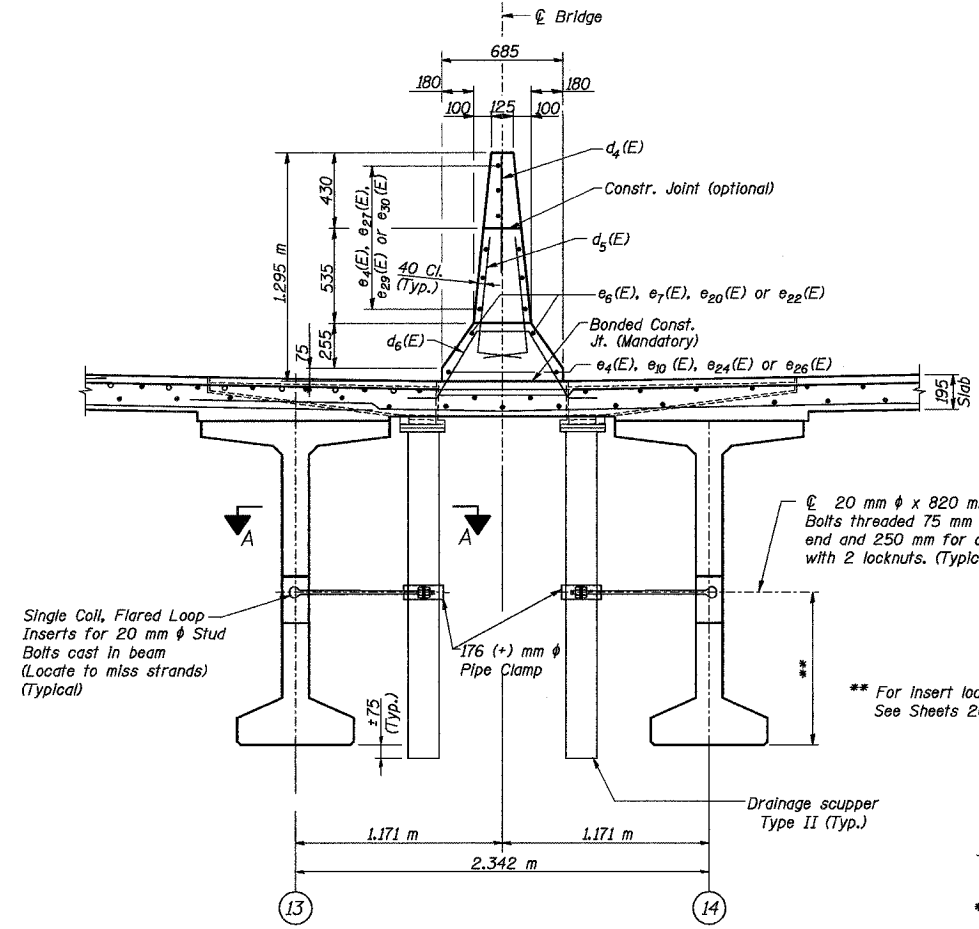


ROUTE NO.	SECT.	COUNTY	SHEET NO.	TOTAL SHEETS
F.A.I. 74	(72-7) R-3	PEORIA	459	1360
FED. ROAD DIST. NO. 7	ILLINOIS FED. AID PROJECT			

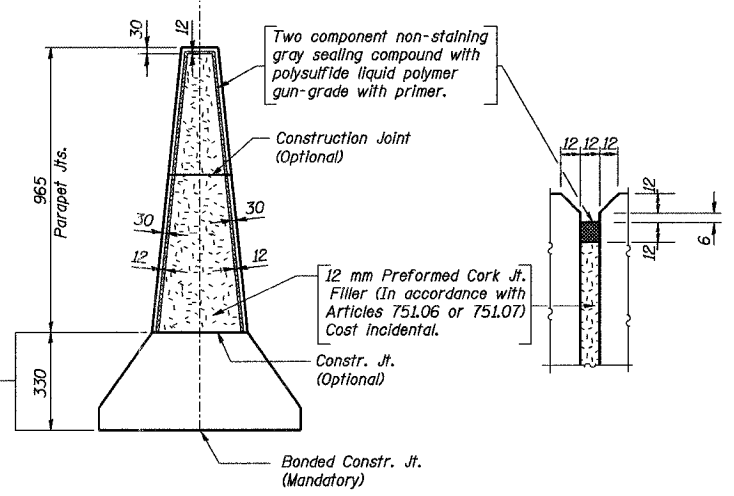
CONTRACT NO. 68200



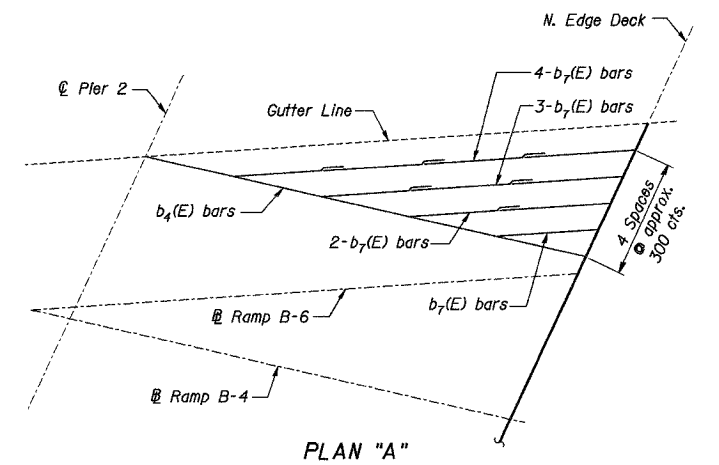
**MEDIAN BARRIER ELEVATION**  
(Spans 2, 3, & 4)



**SECTION THRU MEDIAN**

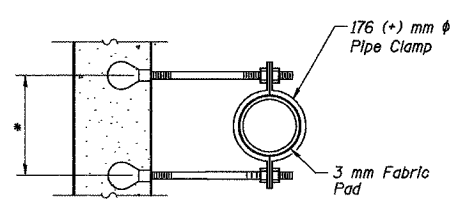


**MEDIAN JOINT DETAILS**

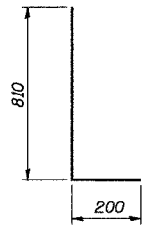


**PLAN "A"**

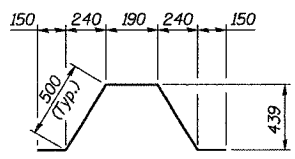
Notes:  
For Bill of Material, see Sheet 15.  
For location of scuppers, see General Plan.  
The clamping device and inserts shall be galvanized according to AASHTO M 232.  
All dimensions are in millimeters (mm) except as noted.  
E.F. = Each Face



**SECTION A-A**



**BAR d5(E)**



**BAR d6(E)**

MIN. BAR LAP  
#15 bar = 640  
#25 bar = 1.32 m

REVISION	DATE	DESCRIPTION
STATE OF ILLINOIS DEPARTMENT OF TRANSPORTATION		
<b>MEDIAN BARRIER ELEVATION AND DETAILS</b>		
RAMPS B-1 AND B-4 OVER F.A.I. ROUTE 74 (I-74) RAMPS A-3 AND B-3 F.A.I. ROUTE 74 SECTION (72-7) R-3 PEORIA COUNTY STATION 10+779.03 STRUCTURE NUMBER 072-0183		
PARSONS TRANSPORTATION GROUP CHICAGO, ILLINOIS		
DRAWING NO. 16	SCALE N.T.S.	DATE 2-18-03
		SHEET NO. 16

Date: 11/19/2004 Time: 0:00:33 AM  
Filename: P:\643996\Structure\072-0183\Sheet\Tracings\SD00030-1A0720183.dgn

Designed by: AMK  
Checked by: AK  
Drafted by: JMG  
Checked by: AK