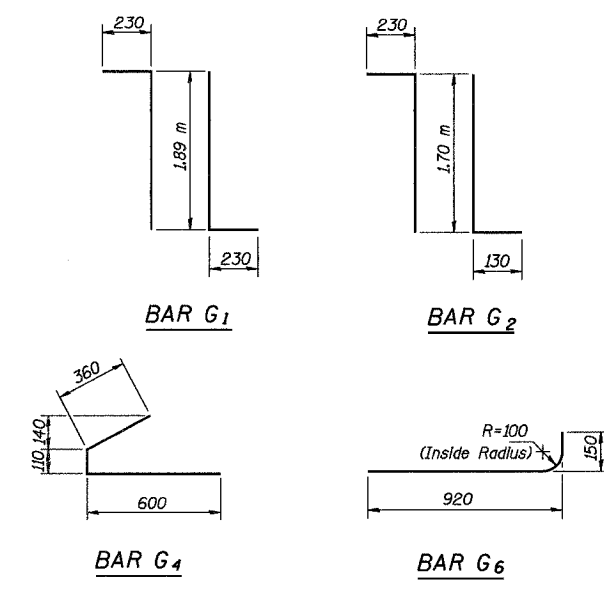
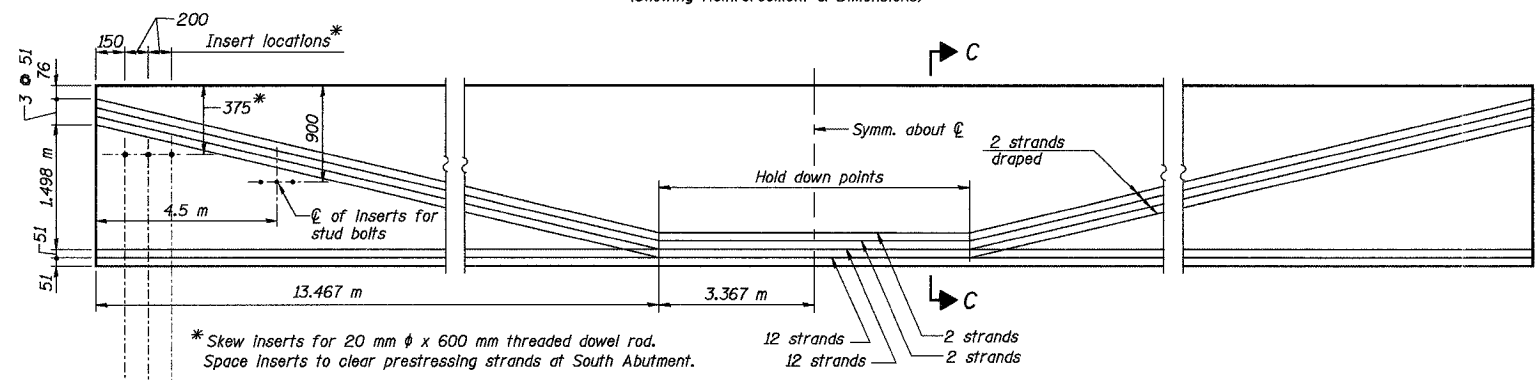
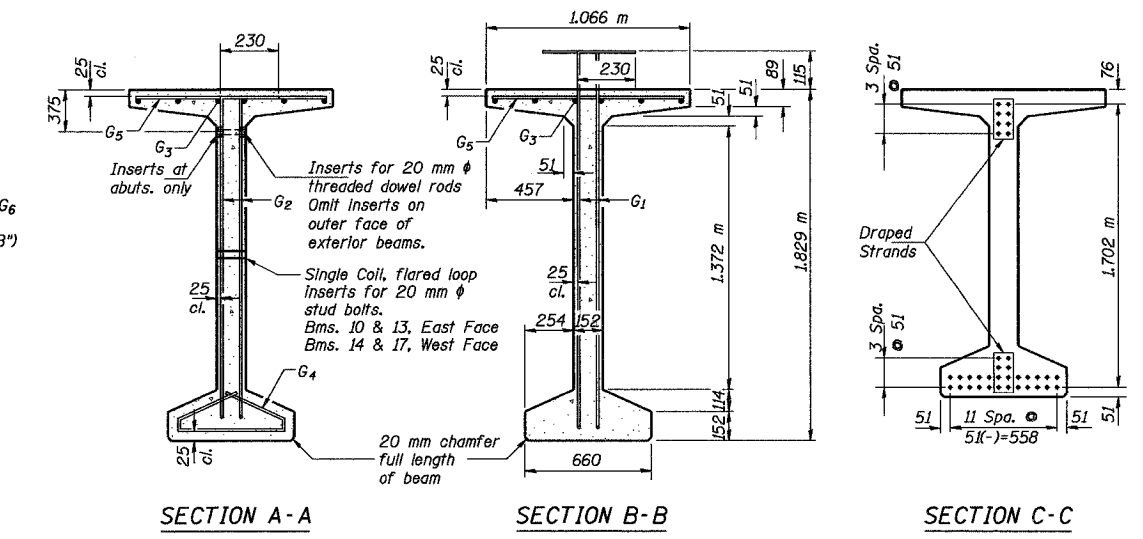
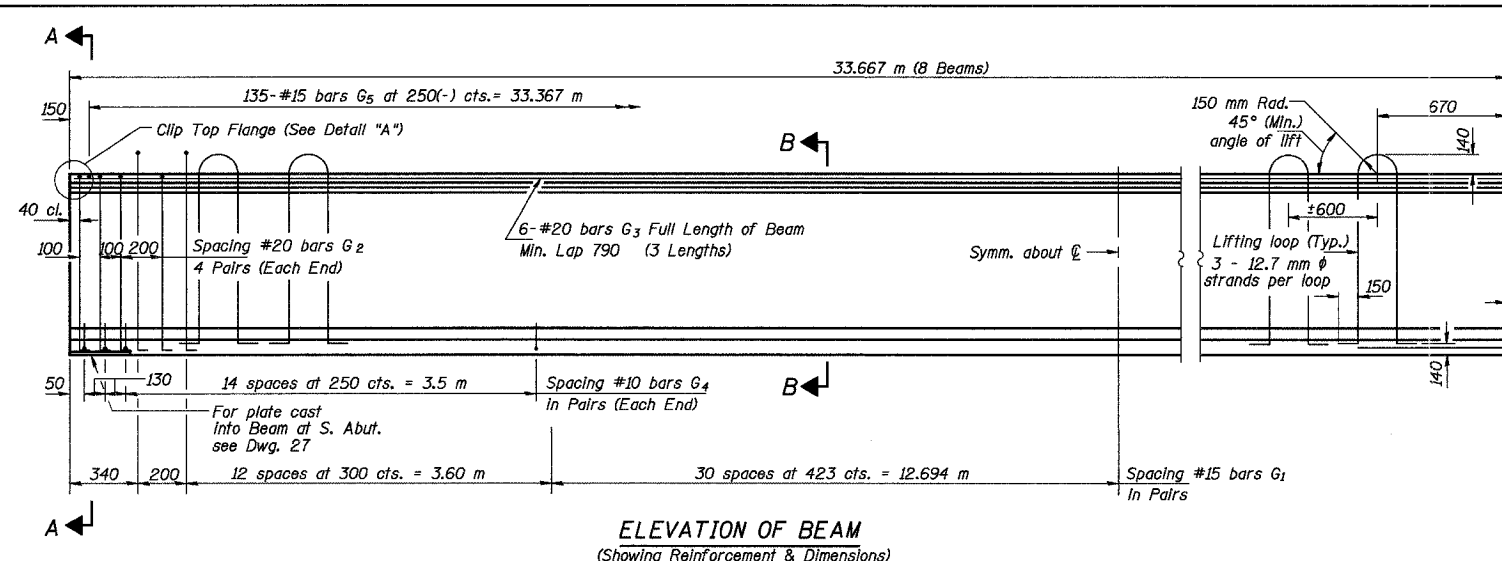


ROUTE NO.	SECT.	COUNTY	SHEET NO.	TOTAL SHEETS
F.A.I. 74	(72-7) R-3	PEORIA	463	1360
FED. ROAD DIST. NO. 7	ILLINOIS	FED. AID PROJECT		

CONTRACT NO. 68200



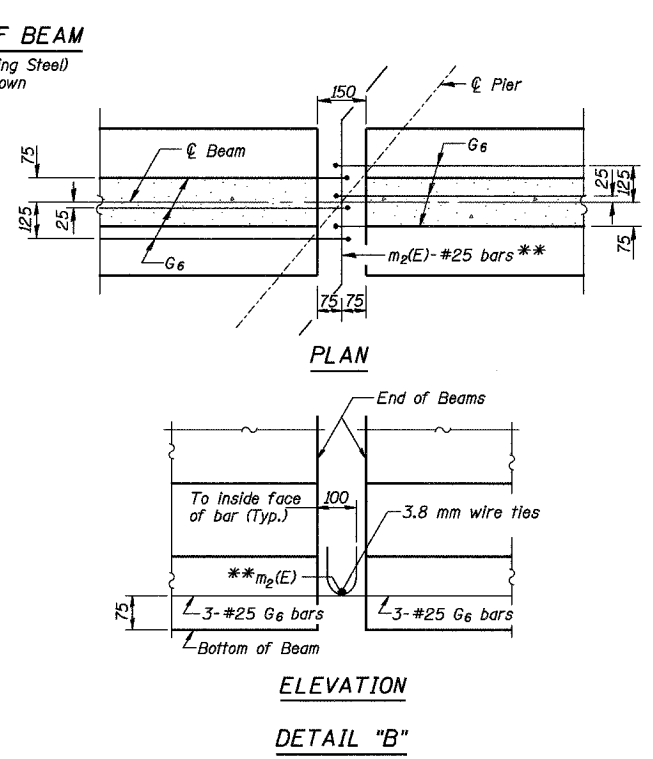
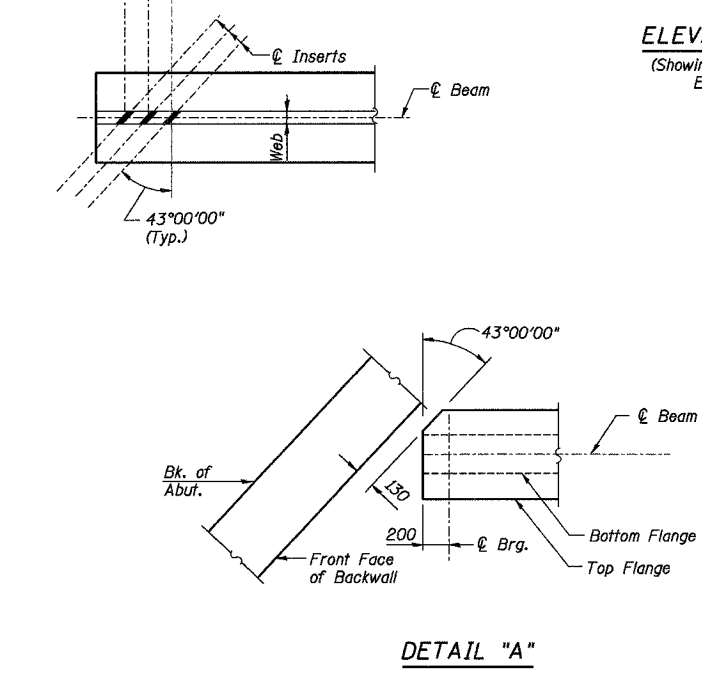
*** BAR LIST**

Bar	No.	Size	Length (m)	Shape
G1	174	#15	2.35	L
G2	16	#20	2.06	L
G3	18	#20	1.75	—
G4	68	#10	1.07	—
G5	135	#15	1.01	—
G6	3	#25	1.07	—

* For one beam only.

BILL OF MATERIAL

Item	Unit	Total
Furnishing and Erecting Precast Prestressed Concrete Bulb T-Beams, 1829 mm	m	269.34



- Notes:
- All inserts and threaded dowel rods for inserts, reinforcing and prestressing steel, and other items which are cast into the precast concrete bulb T-beams shall be included in the contract unit price per meter of "Furnishing and Erecting Precast Prestressed Concrete Bulb T-Beams, 1829 mm".
 - Inserts for 20 mm diameter threaded dowel rods are to be two strut, coil type for interior beams and single coil, flared loop type for exterior beams.
 - Prestressing steel shall be uncoated high strength, low relaxation 7-wire strand (Fu = 1860 MPa). The nominal diameter shall be 12.7 mm and the nominal cross-sectional area shall be 98.71 mm².
 - Required release strength, f'ci, shall be 35 MPa.
 - Non-prestressing steel shall conform to AASHTO designation M 31M, M 42M or M 53M Grade 400.
 - Reinforcement bars designated (E) shall be epoxy coated.
 - Lifting loops shall be 3 - 12.7 mm diameter strands (Fu = 1860 MPa), as shown.
 - All dimensions are in millimeters (mm) except as noted.

** Tie #25 m2(E) with 3.8 mm wire tightly fastened to prevent any movement between bars.

REVISION	DATE	DESCRIPTION	
STATE OF ILLINOIS DEPARTMENT OF TRANSPORTATION 1829 mm PPC BULB T-BEAM - BEAM NOS. 10-17 SPAN 2 RAMPS B-1 AND B-4 OVER F.A.I. ROUTE 74 (I-74) RAMPS A-3 AND B-3 F.A.I. ROUTE 74 SECTION (72-7) R-3 PEORIA COUNTY STATION 10+779.03 STRUCTURE NUMBER 072-0183 PARSONS TRANSPORTATION GROUP CHICAGO, ILLINOIS			
DRAWING NO.	SCALE	DATE	SHEET NO.
20	N.T.S.	2-18-03	20

Designed by: AMK
 Checked by: WEE
 Drafted by: FTE/SC
 Checked by: WEE

Date: 1/19/2004 Time: 09:02:26 AM File name: P:\643996\structure\ur\d\072-0183\Sheet\Tracings\SD00005-10720183.dgn