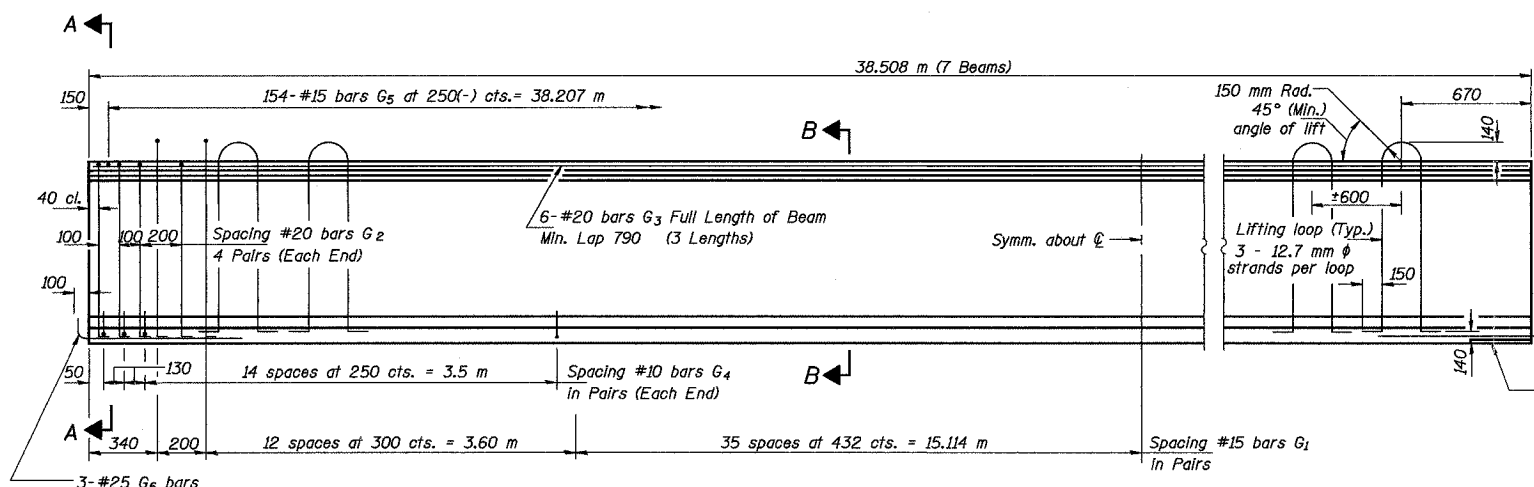
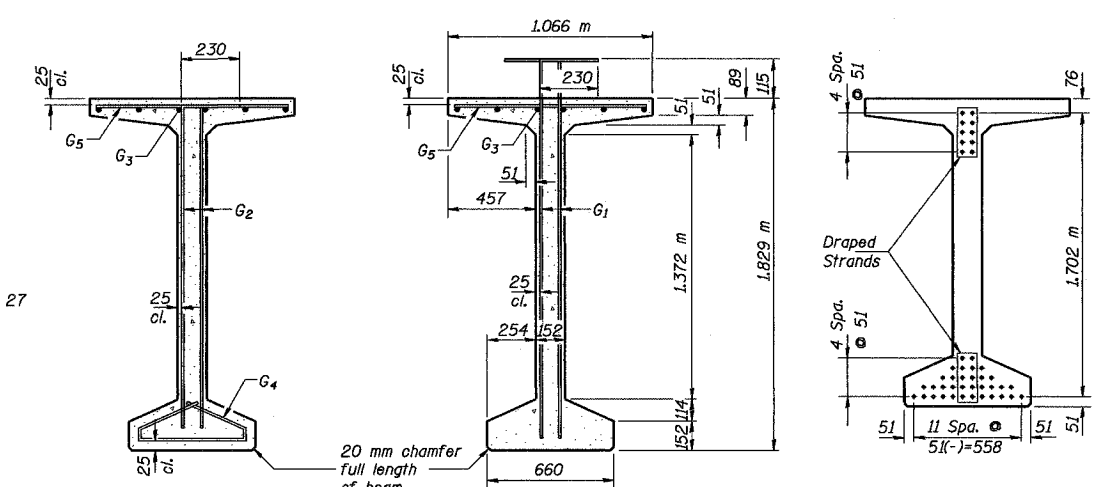


ROUTE NO.	SECT.	COUNTY	SHEET NO.	TOTAL SHEETS
F.A.I. 74	(72-7) R-3	PEORIA	465	1360
FED. ROAD DIST. NO.	ILLINOIS	FED. AID PROJECT		

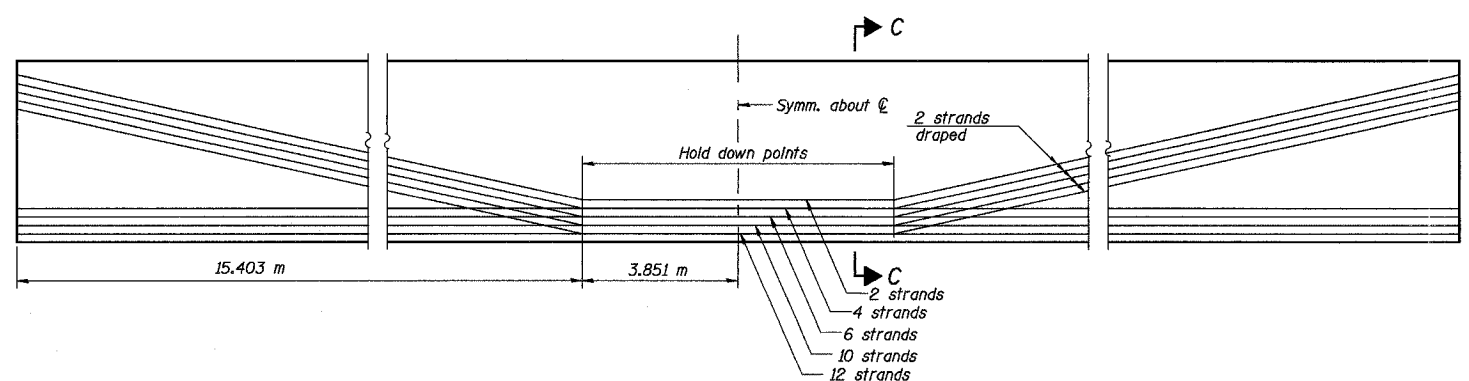
CONTRACT NO. 68200



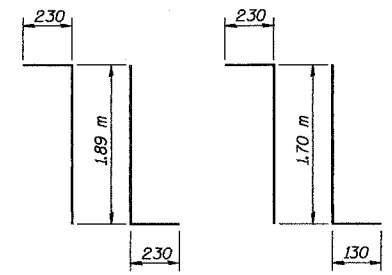
**ELEVATION OF BEAM**  
(Showing Reinforcement & Dimensions)



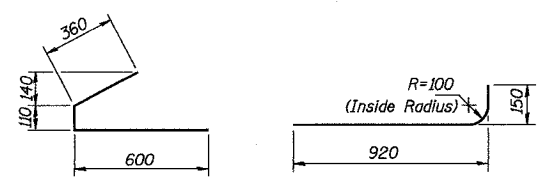
**SECTION A-A**      **SECTION B-B**      **SECTION C-C**



**ELEVATION OF BEAM**  
(Showing Prestressing Steel)



**BAR G1**      **BAR G2**



**BAR G4**      **BAR G6**

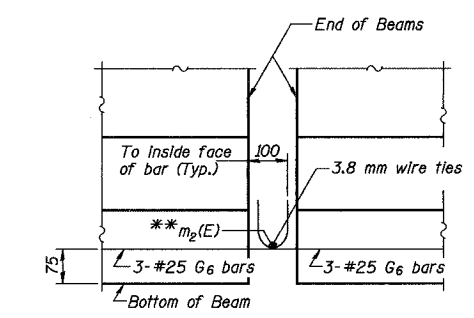
**\* BAR LIST**

Bar	No.	Size	Length (m)	Shape
G1	194	#15	2.35	U
G2	16	#20	2.06	U
G3	18	#20	13.40	—
G4	68	#10	1.07	—
G5	154	#15	1.01	—
G6	6	#25	1.07	U

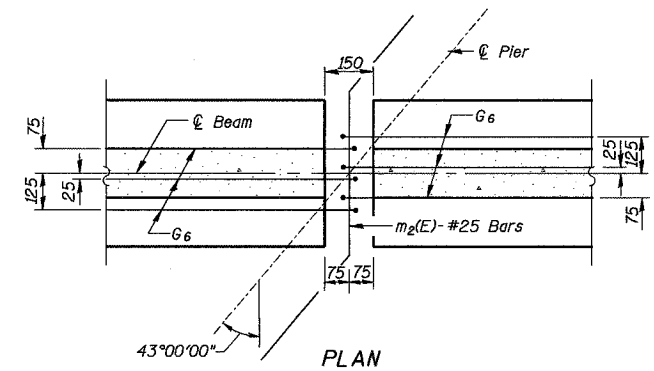
\* For one beam only.

**BILL OF MATERIAL**

Item	Unit	Total
Furnishing and Erecting Precast Prestressed Concrete Bulb T-Beams, 1829 mm	m	269.56



**ELEVATION**



**PLAN**

**DETAIL "A"**

\*\* Tie #25 m<sub>2</sub>(E) with 3.8 mm wire tightly fastened to prevent any movement between bars.

**NOTES**

- All reinforcing and Prestressing Steel, and other items which are cast into the Precast Concrete Bulb T-Beams shall be included in the contract unit price per meter of "Furnishing and Erecting Precast Prestressed Concrete Bulb T-Beams, 1829 mm".
- Prestressing steel shall be uncoated high strength, low relaxation 7-wire strand (Fu = 1860 MPa). The nominal diameter shall be 12.7 mm and the nominal cross-sectional area shall be 98.71 mm<sup>2</sup>.
- Required release strength, f'cl, shall be 35 MPa.
- Non-prestressing steel shall conform to AASHTO designation M 31M, M 42M or M 53M Grade 400.
- Reinforcement bars designated (E) shall be epoxy coated.
- Lifting loops shall be 3 - 12.7 mm φ strands (Fu = 1860 MPa), as shown.
- All dimensions are in millimeters (mm) except as noted.

REVISION	DATE	DESCRIPTION
<b>STATE OF ILLINOIS</b> <b>DEPARTMENT OF TRANSPORTATION</b> <b>1829 mm PPC BULB T-BEAM</b> <b>BEAM NOS. 11-17 SPAN 3</b> RAMPS B-1 AND B-4 OVER F.A.I. ROUTE 74 (I-74) RAMPS A-3 AND B-3 F.A.I. ROUTE 74 SECTION (72-7) R-3 PEORIA COUNTY STATION 10+779.03 STRUCTURE NUMBER 072-0183 <b>PARSONS TRANSPORTATION GROUP</b> <b>CHICAGO, ILLINOIS</b>		
DRAWING NO.	SCALE	DATE
22	N.T.S.	2-18-03
SHEET NO.		22

Date: 11/23/2004  
 Time: 02:50:40 PM  
 File name: P:\643996\structure\072-0183\Sheet\A0720183.dgn

Designed by: AMK  
 Checked by: WEE  
 Drafted by: FTE/JMG  
 Checked by: WEE