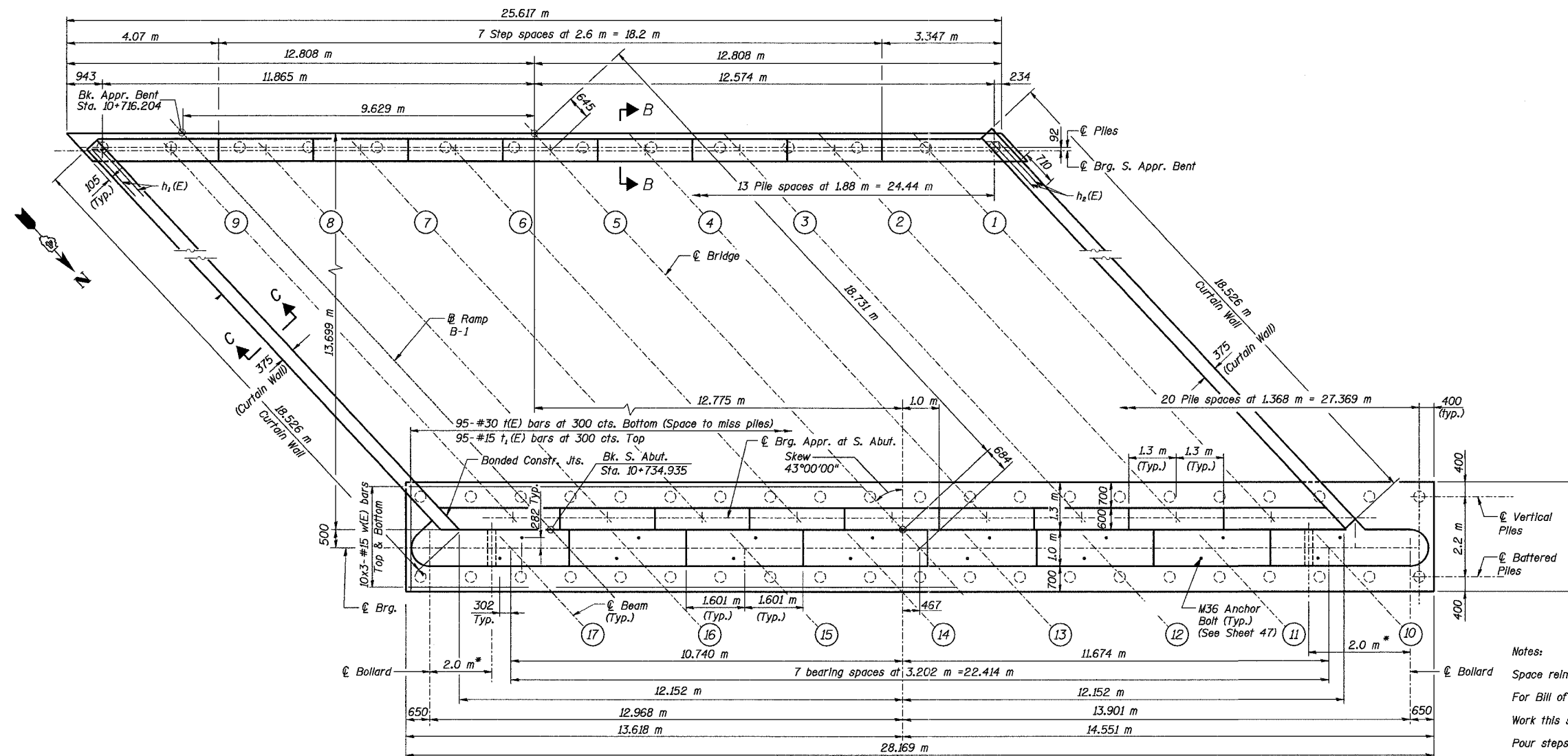


ROUTE NO.	SECT.	COUNTY	SHEET NO.	TOTAL SHEETS
F.A.I. 74	(72-7) R-3	PEORIA	472	1360
FED. ROAD DIST. NO. 7	ILLINOIS	FED. AID PROJECT		

CONTRACT NO. 68200



PLAN

**Notes:**  
Space reinforcement in cap to miss anchor bolts.  
For Bill of Material and reinforcement details, see sheet 32.  
Work this sheet with sheets 30, 31, and 32.  
Pour steps monolithically with cap.  
Bars indicated thus 20 X 3-#15 etc. indicates 20 lines of bars with 3 lengths per line.  
For Rustication on face of abutment and curtain wall, see sheet 39.  
E.F. denotes each face.  
All dimensions are in millimeters (mm) except as noted.  
Reinforcement bars designated (E) shall be epoxy coated.

\* 75 mm  $\phi$  formed drain locations

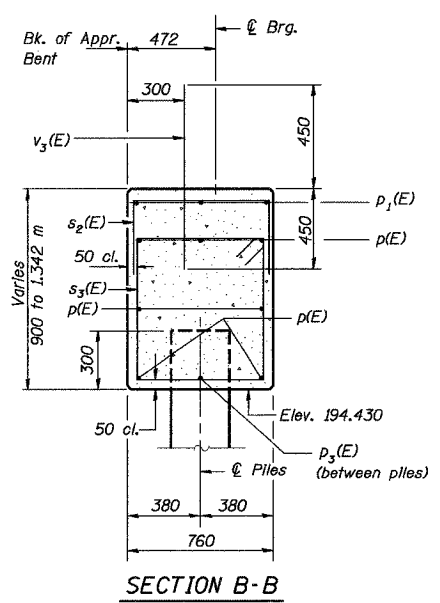
**ABUT.-PILE DATA**

Type: 305 mm  $\phi$  metal sheet piles with 6 mm walls  
Capacity: 400 kN  
Est. Length: 10.0 m  
No. Req'd: 41 plus 1 test pile

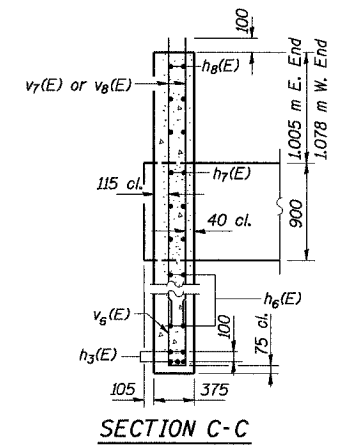
**APPR. BENT-PILE DATA**

Type: 305 mm  $\phi$  metal shell piles with 6mm walls  
Capacity: 400 kN  
Est. Length: 12.0 m  
No. Req'd: 13 plus 1 Test Pile

**MIN. BAR LAP**  
#15 bar = 640



SECTION B-B



SECTION C-C

Time: 10:05:52 AM Date: 1/19/2004 File: P:\643996\structure\072-0183\Sheet\Tracings\AB0001-10720183.dgn

Designed by: DL  
Checked by: MBO  
Drafted by: FTE  
Checked by: AK

REVISION	DATE	DESCRIPTION
<b>STATE OF ILLINOIS</b>		
<b>DEPARTMENT OF TRANSPORTATION</b>		
<b>SOUTH ABUTMENT PLAN</b>		
RAMPS B-1 AND B-4 OVER F.A.I. ROUTE 74 (I-74) RAMPS A-3 AND B-3		
F.A.I. ROUTE 74 SECTION (72-7) R-3 PEORIA COUNTY STATION 10+779.03 STRUCTURE NUMBER 072-0183		
PARSONS TRANSPORTATION GROUP CHICAGO, ILLINOIS		
DRAWING NO. 29	SCALE N.T.S.	DATE 2-18-03
		SHEET NO. 29