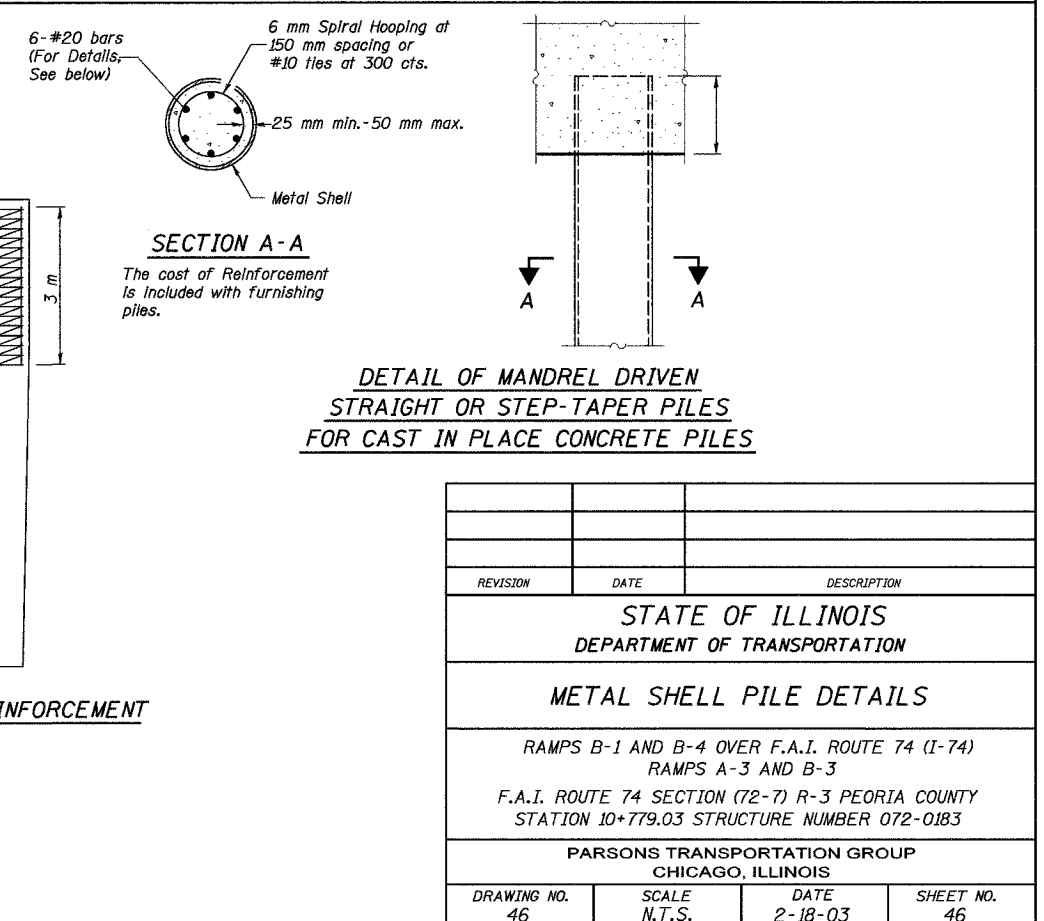
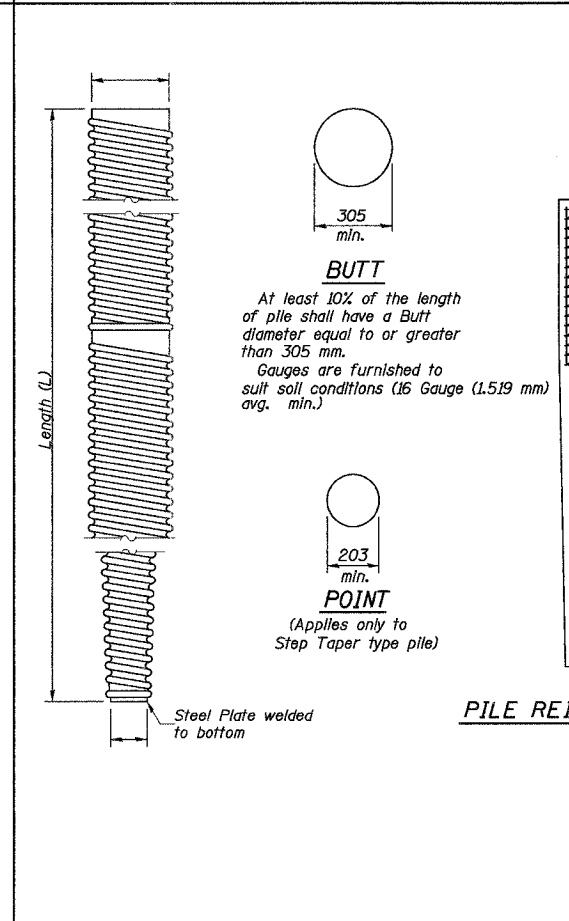
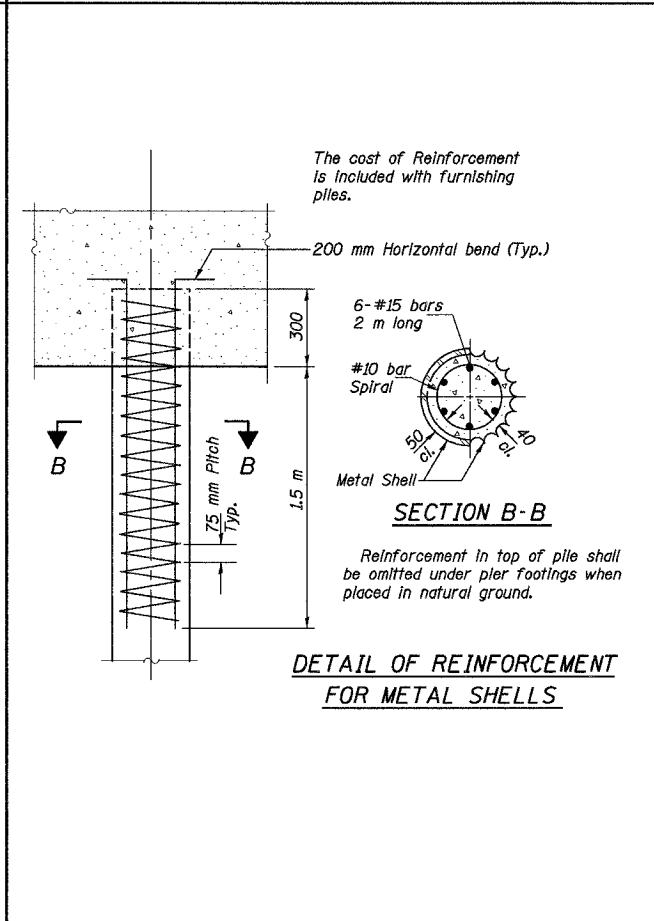
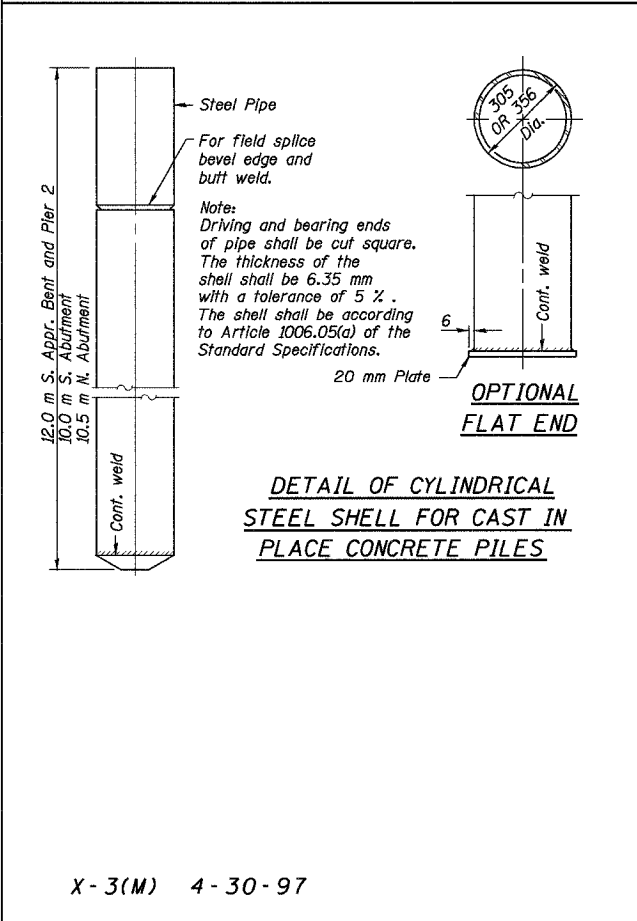
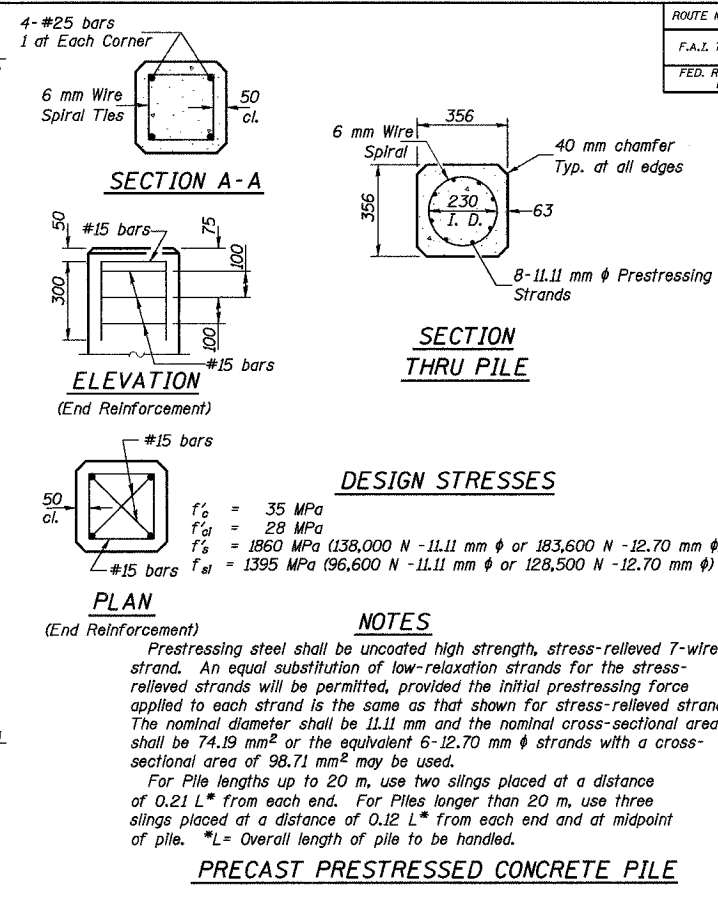
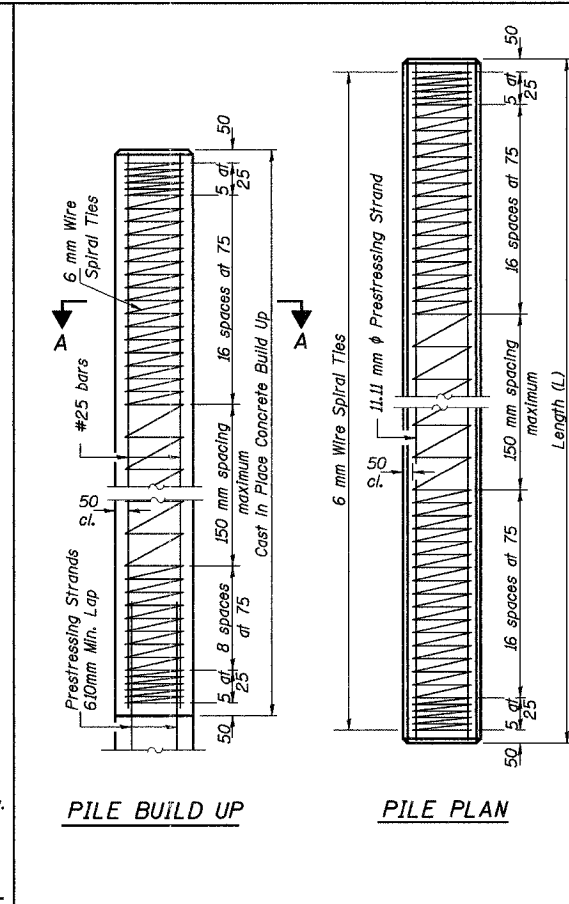
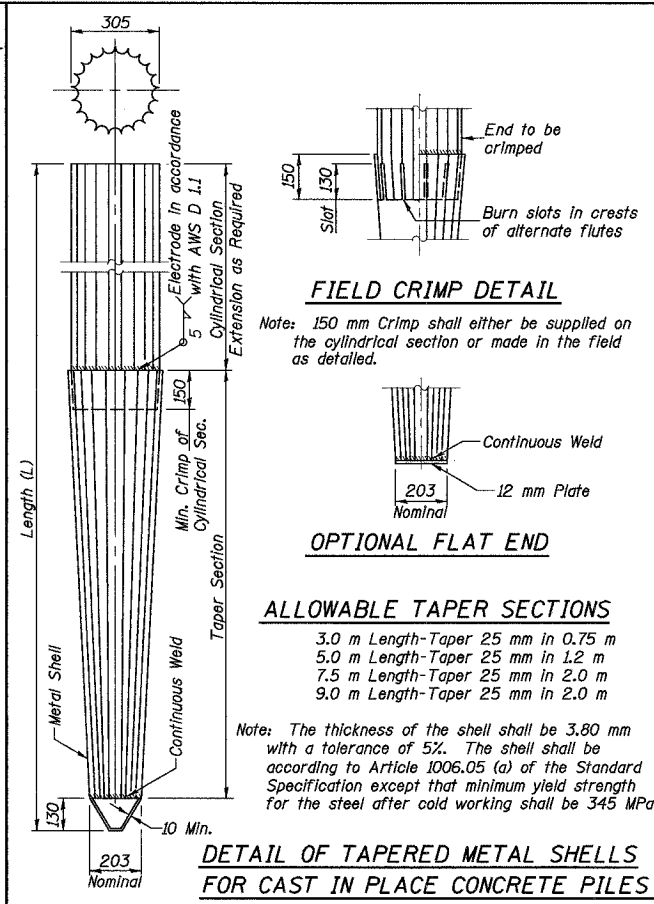
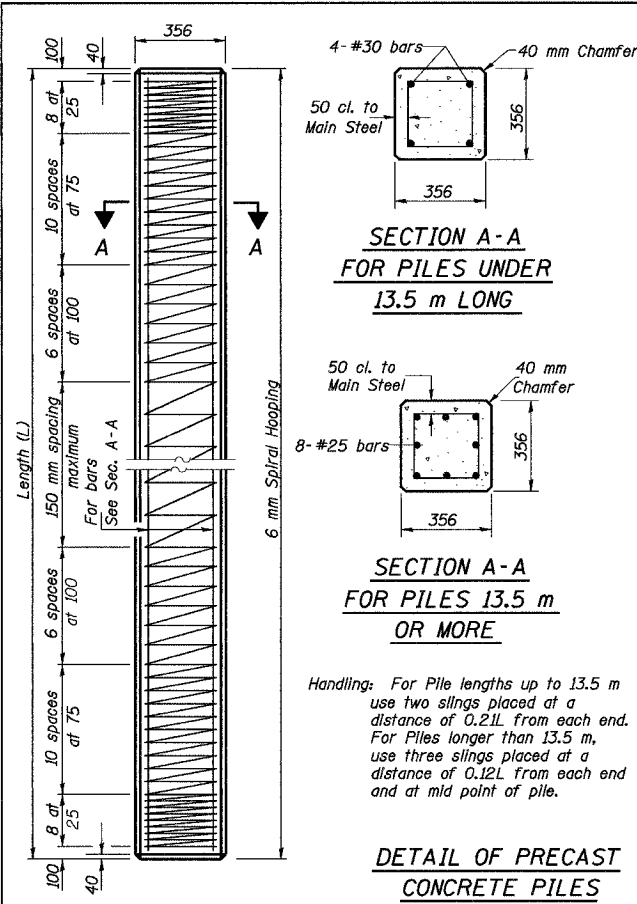


Date: 1/19/2004 Times: 0:02:12 AM

File: c:\p1\643996\structure\draw\072-0183\Sheet\Tracings\SD0011-1A0720183.dgn

ROUTE NO.	SECT.	COUNTY	SHEET NO.	TOTAL SHEETS
F.A.I. 74	(72-7) R-3	PEORIA	489	1260
FED. ROAD DIST. NO. 7	ILLINOIS	FED. AID PROJECT		

CONTRACT NO. 68200



REVISION	DATE	DESCRIPTION
STATE OF ILLINOIS DEPARTMENT OF TRANSPORTATION		
METAL SHELL PILE DETAILS		
RAMPS B-1 AND B-4 OVER F.A.I. ROUTE 74 (I-74) RAMPS A-3 AND B-3 F.A.I. ROUTE 74 SECTION (72-7) R-3 PEORIA COUNTY STATION 10+779.03 STRUCTURE NUMBER 072-0183		
PARSONS TRANSPORTATION GROUP CHICAGO, ILLINOIS		
DRAWING NO. 46	SCALE N.T.S.	DATE 2-18-03
		SHEET NO. 46

X-3(M) 4-30-97