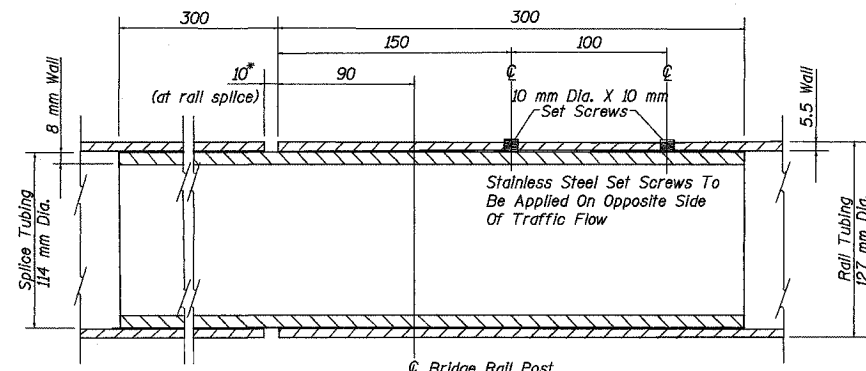
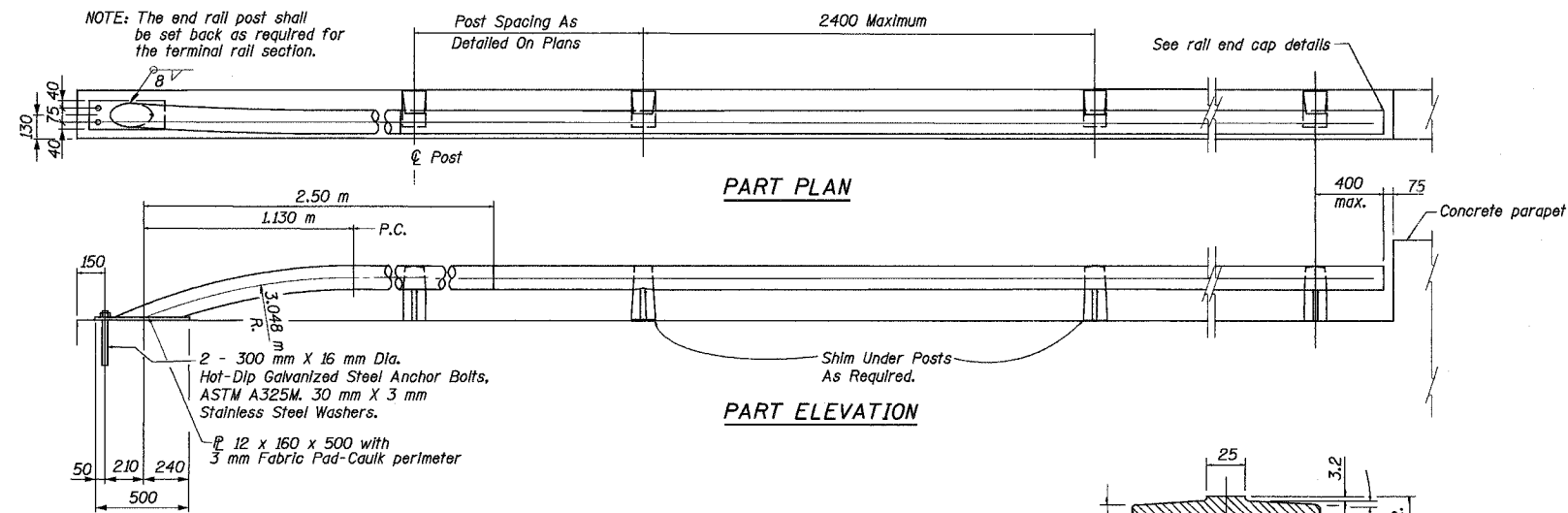


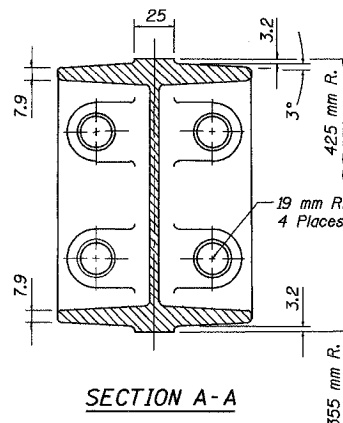
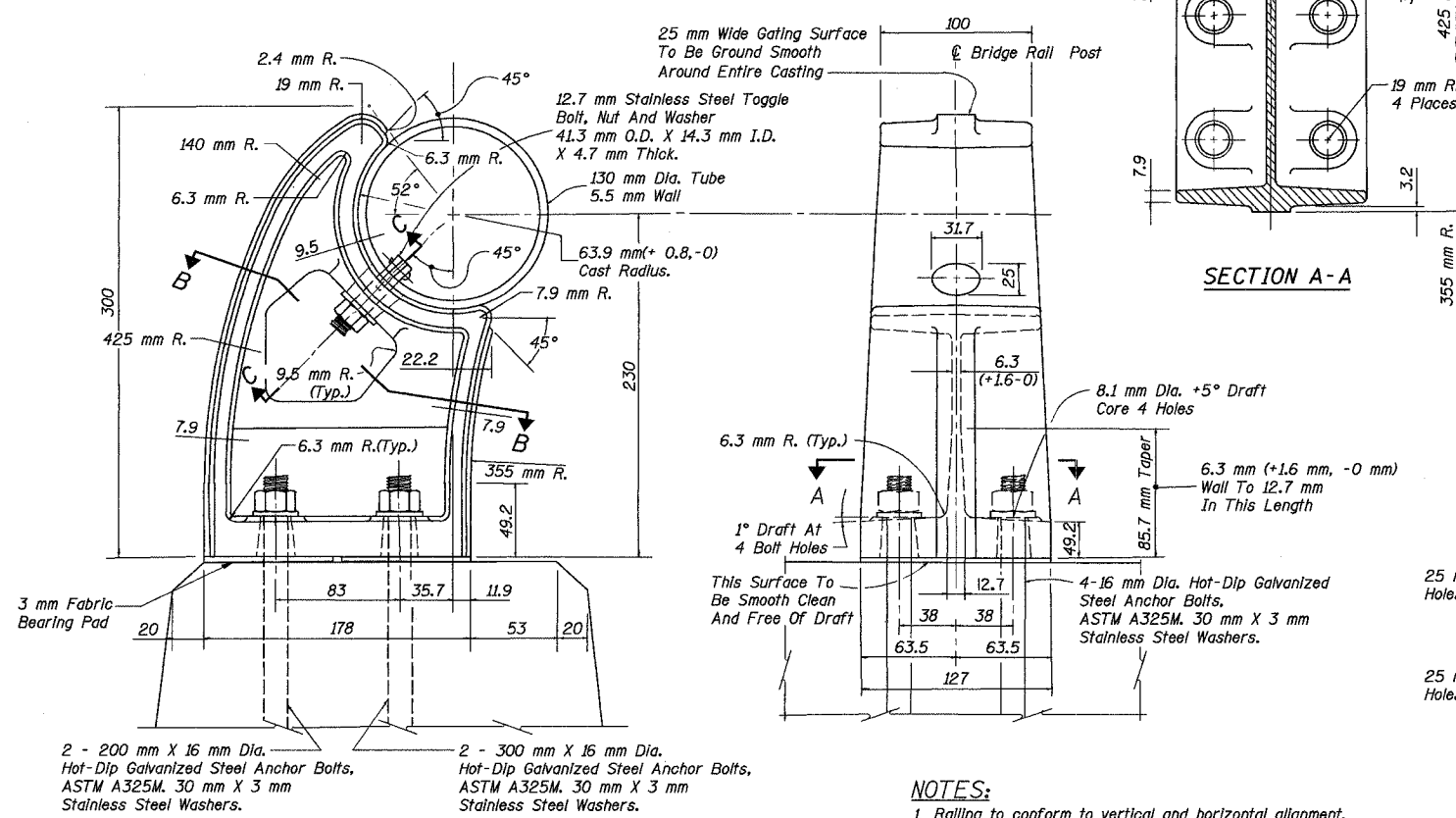
ROUTE NO.	SECT.	COUNTY	SHEET NO.	TOTAL SHEETS
F.A.I. 74	(72-7) R-3	PEORIA	492	1360
FED. ROAD DIST. NO. 7	ILLINOIS	FED. AID PROJECT		

CONTRACT NO. 6B200

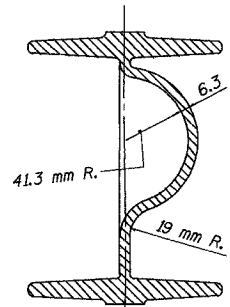


*At bridge expansion joints, match opening of joint in deck.

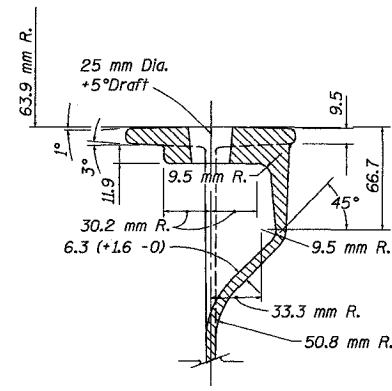
INSIDE SPLICE DETAIL



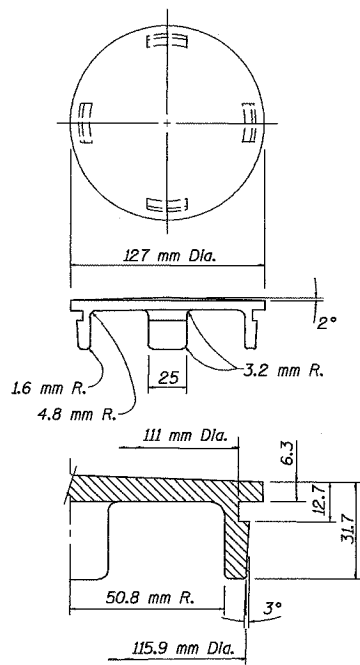
SECTION A-A



SECTION B-B

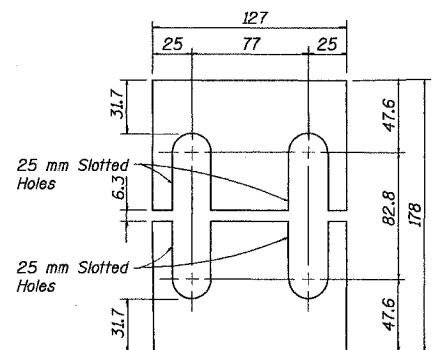


SECTION C-C



RAIL END CAP DETAILS

ALUMINUM RAILING TYPE H (SPECIAL)



SHIM DETAIL

BILL OF MATERIAL

Item	Unit	Quantity
Aluminum Railing, Type H (Special)	m	258

TYPE H ALUMINUM RAILING

- NOTES:**
- Railing to conform to vertical and horizontal alignment.
 - Joint to be placed 7500 mm center to center, max.
 - Slip joint to be placed in panels to match expansion joints in deck.
 - Design weight: 9.3 kg. per meter.
 - Unless otherwise specified all draft to be 3°.
 - All unmarked Radius to be 3 mm R.
 - After fabrication, exposed surfaces of aluminum shall be given an anodic oxide coating, dyed black, conforming to the requirements of ASTM designation: B 580, Type B, Architectural Class I.

RAILING DETAILS

2-12-02

Date: 11/23/2004 Time: 09:19:09 AM File: P:\643996\structural\072-0183\Sheet\Tracings\RD0001-A0720183.dgn

REVISION	DATE	DESCRIPTION
STATE OF ILLINOIS DEPARTMENT OF TRANSPORTATION		
RAILING DETAILS - SINGLE RAIL		
RAMPS B-1 AND B-4 OVER F.A.I. ROUTE 74 (I-74) RAMPS A-3 AND B-3 F.A.I. ROUTE 74 SECTION (72-7) R-3 PEORIA COUNTY STATION 10+779.03 STRUCTURE NUMBER 072-0183		
PARSONS TRANSPORTATION GROUP CHICAGO, ILLINOIS		
DRAWING NO. 49	SCALE N.T.S.	DATE 2-18-03
		SHEET NO. 49