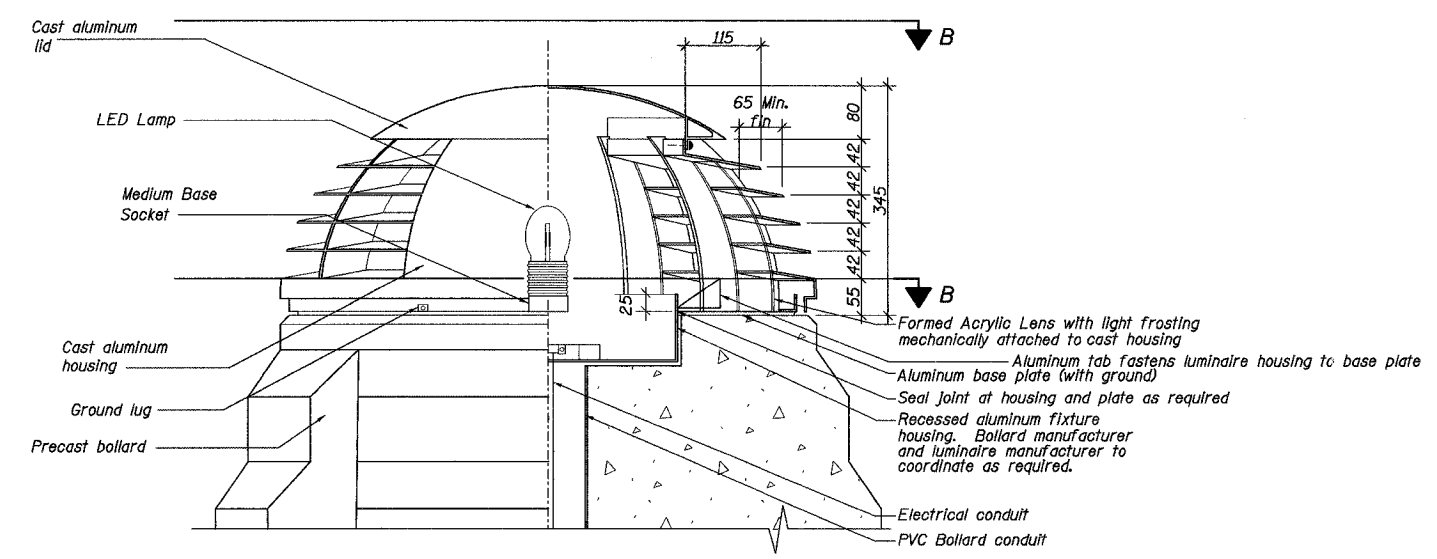
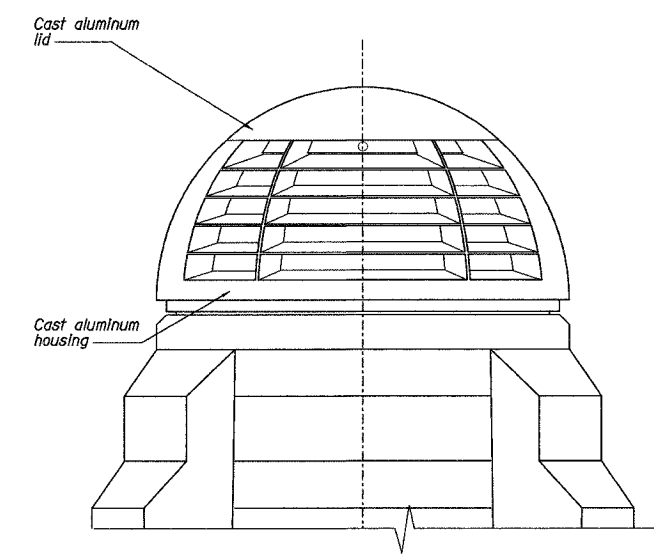


ROUTE NO.	SECT.	COUNTY	SHEET NO.	TOTAL SHEETS
F.A.I. 74	(72-7) R-3	PEORIA	494	1360
FED. ROAD DIST. NO. 7		ILLINOIS	FED. AID PROJECT	

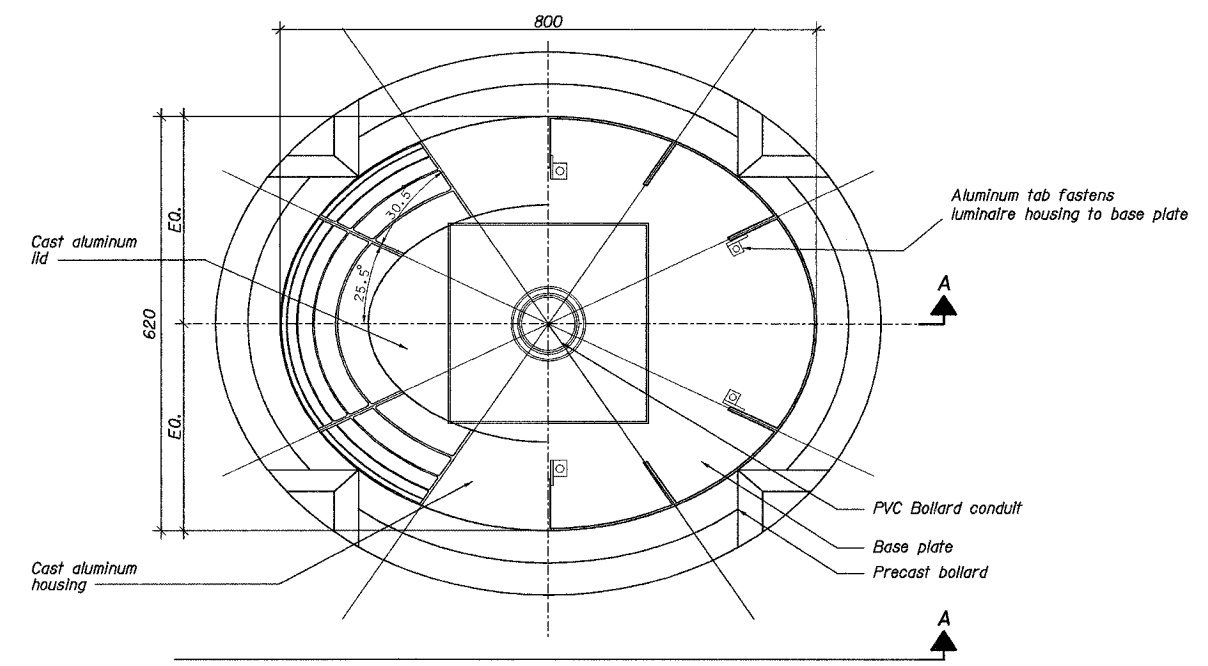
CONTRACT NO. 68200



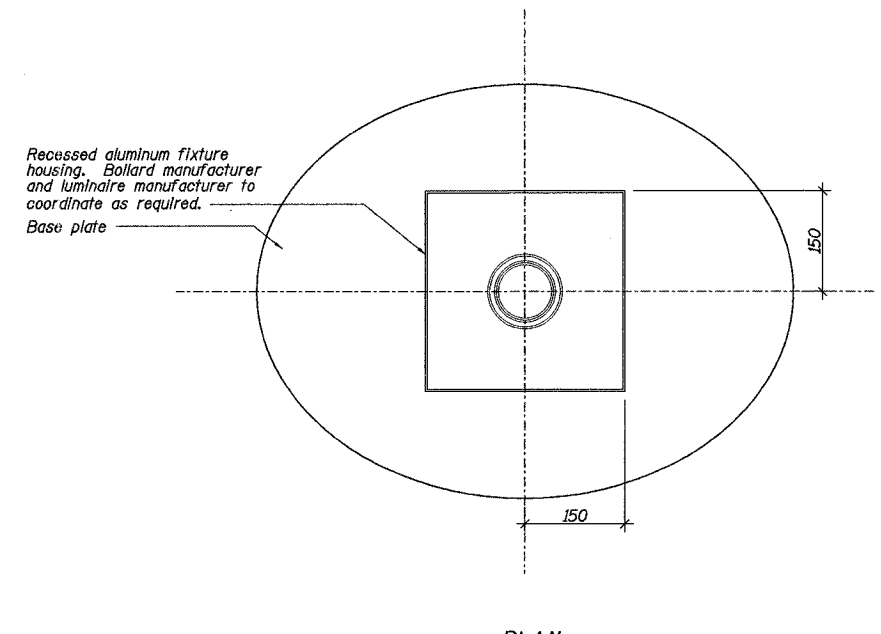
**LONGITUDINAL ELEVATION/SECTION A-A**



**TRANSVERSE ELEVATION**



**PLAN/SECTION B-B**



**PLAN**

**Luminaire Specifications**

- Cover: 3 thick all aluminum construction
- Pull-down catches and strikes: Stainless steel
- Cover Gasket: 3 thick (die cut) high density closed-cell EPDM with P.S.A. backing
- Fasteners: Stainless steel, cast-in-place Hell-Coll
- Finish: Factory applied - silver metallic

**NOTES:**

1. Luminaire supplied by others. Installation in this contract.
2. Fixture to Bear "U.L." Label suitable for wet locations"
3. Socket to be supplied with disconnect plugs.
4. Fixture supplied with vinyl coated stainless steel safety cable between cast aluminum lid and baseplate.

REVISION	DATE	DESCRIPTION
<b>STATE OF ILLINOIS</b>		
<b>DEPARTMENT OF TRANSPORTATION</b>		
<b>BOLLARD LUMINAIRE</b>		
RAMPS B-1 AND B-4 OVER F.A.I. ROUTE 74 (I-74) RAMPS A-3 AND B-3		
F.A.I. ROUTE 74 SECTION (72-7) R-3 PEORIA COUNTY STATION 10+779.03 STRUCTURE NUMBER 072-0183		
PARSONS TRANSPORTATION GROUP CHICAGO, ILLINOIS		
DRAWING NO. 51	SCALE N.T.S.	DATE 2-18-03
		SHEET NO. 51

2-12-02

Date: 11/19/2004 Time: 10:40:08 AM File: P:\643996\structural\072-0183\Sheet\Tracings\SD002-I-A0720183.dgn