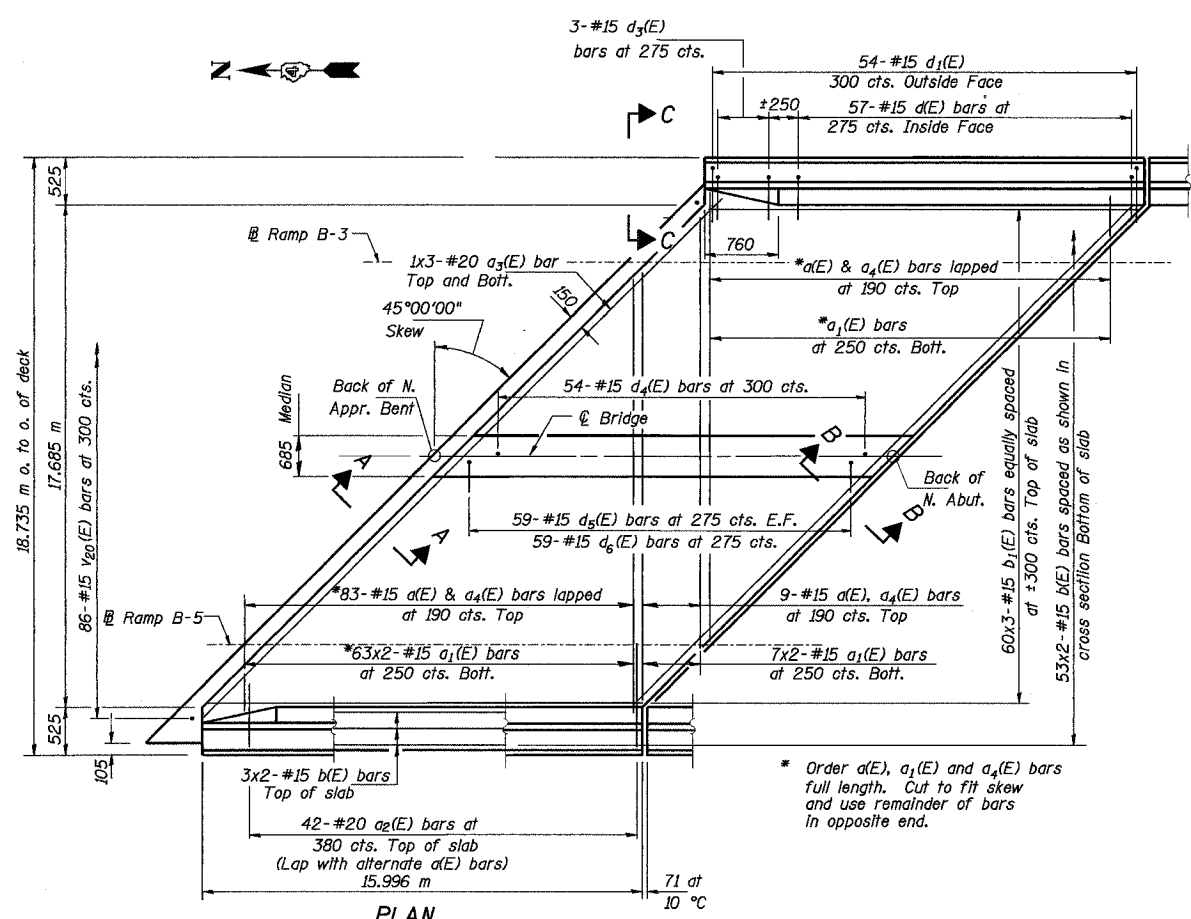
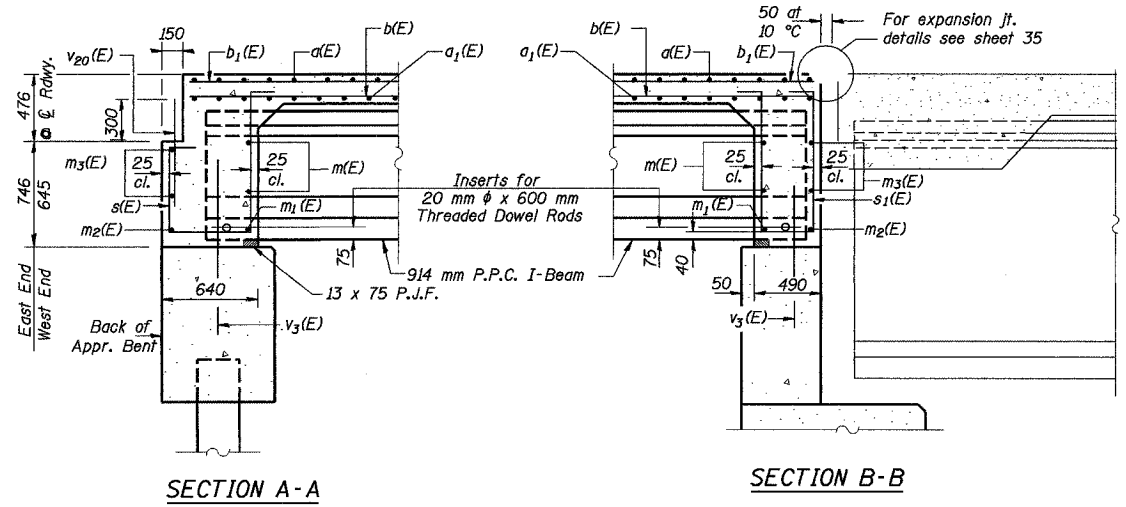


ROUTE NO.	SECT.	COUNTY	SHEET NO.	TOTAL SHEETS
F.A.I. 74	(72-7) R-3	PEORIA	506	1360
FED. ROAD DIST. NO. 7	ILLINOIS	FED. AID PROJECT		

CONTRACT NO. 68200



PLAN
(Parapet & median barrier joints not shown for clarity)



SECTION A-A

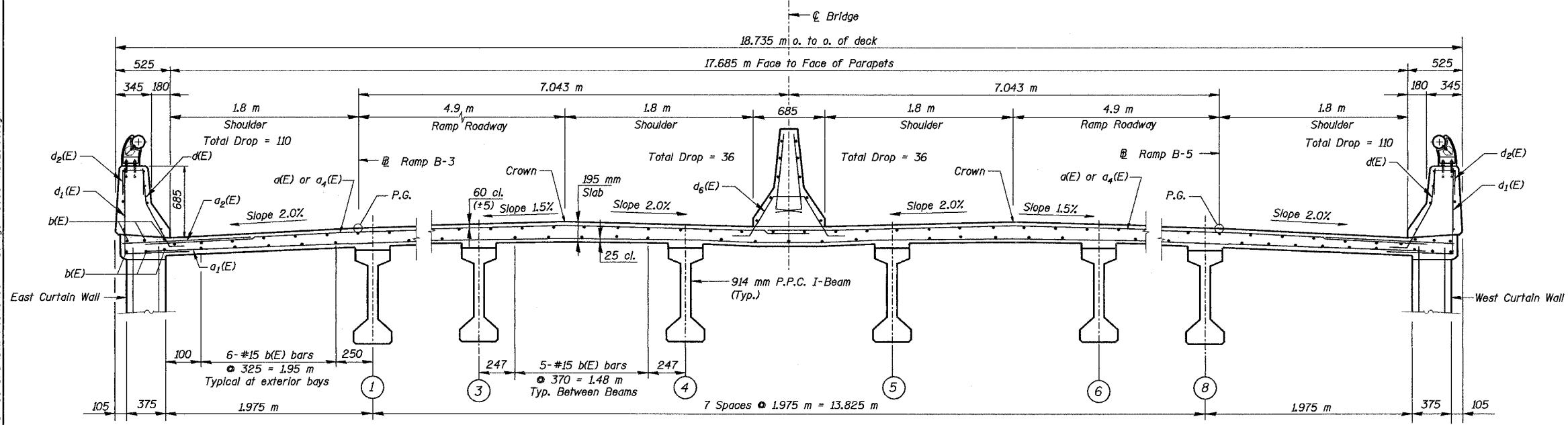
SECTION B-B

* Order a(E), a1(E) and a2(E) bars full length. Cut to fit skew and use remainder of bars in opposite end.

MIN. BAR. LAP

- #15 bar = 640
- #20 bar = 790
- #25 bar = 1.32 m

Notes:
 See sheet 8 for superstructure details and Bill of Material.
 Reinforcement bars designated (E) shall be epoxy coated.
 Bars indicated thus 20 x 3-#15 etc. indicates 20 lines of bars with 3 lengths per line.
 See sheet 9 for parapet, median reinforcement and view C-C.
 All dimensions are in millimeters (mm) except as noted.
 For parapet and median reinforcement details see sheet 9.



CROSS SECTION
(Looking South)

REVISION	DATE	DESCRIPTION
STATE OF ILLINOIS DEPARTMENT OF TRANSPORTATION		
DECK PLAN AND SECTION - SPAN 1		
RAMPS B-3 AND B-5 OVER WAR MEMORIAL DR. AND RAMP B-6 F.A.I. ROUTE 74 SECTION (72-7) R-3 PEORIA COUNTY STA. 10+618.61 (RAMP B-3) STA. 10+472.60 (RAMP B-5) STRUCTURE NUMBER 072-0190		
PARSONS TRANSPORTATION GROUP CHICAGO, ILLINOIS		
DRAWING NO. 7	SCALE N.T.S.	DATE 2-21-03
		SHEET NO. 7

Designed by: MBO
 Checked by: AK
 Drafted by: FTE
 Checked by: AK

Date: 11/22/2004 Time: 09:05:37 AM File name: P:\643996\structural\072-0190\sheet\Tracings\PS0001-10720190.dgn