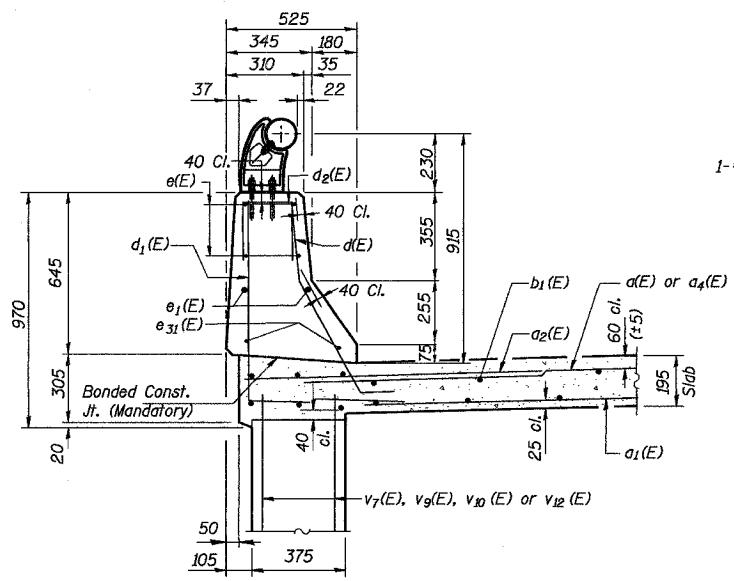
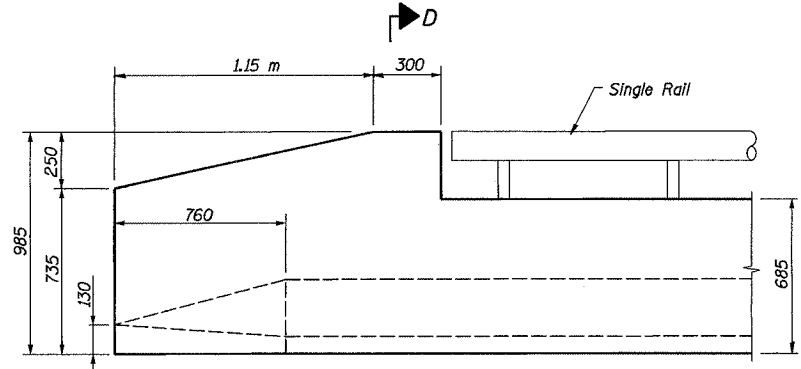


ROUTE NO.	SECT.	COUNTY	SHEET NO.	TOTAL SHEETS
F.A.I. 74	(72-7) R-3	PEORIA	508	1360
FED. ROAD DIST. NO. 7		ILLINOIS	FED. AID PROJECT	

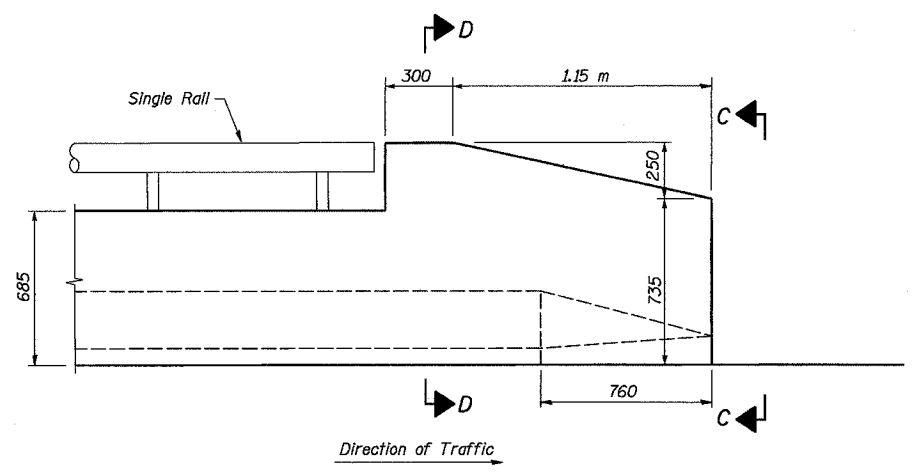
CONTRACT NO. 68200



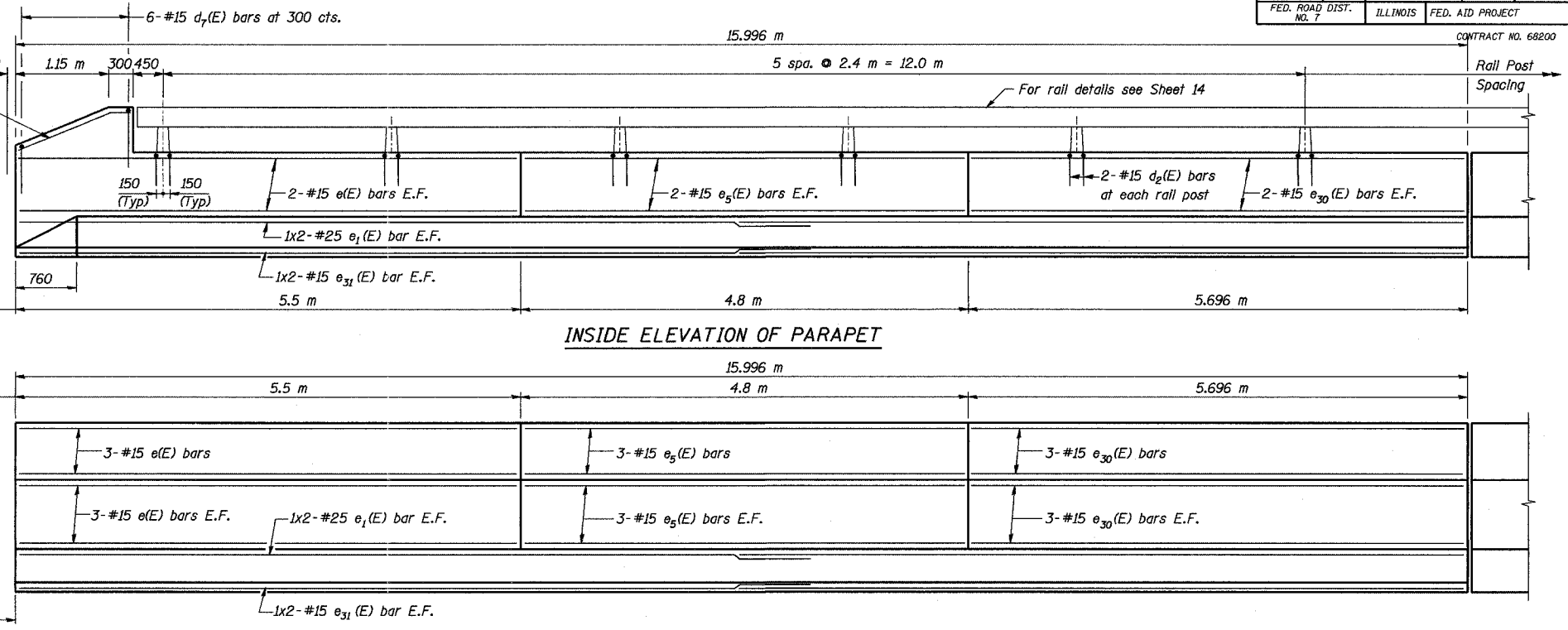
SECTION THRU PARAPET



PARAPET END SECTION FOR TERMINAL BARRIER TYPE 6

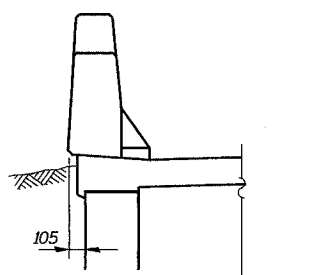


PARAPET END SECTION

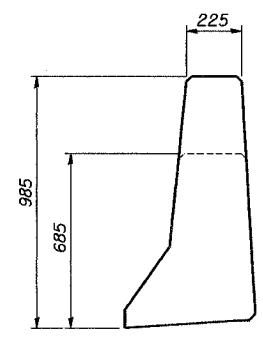


INSIDE ELEVATION OF PARAPET

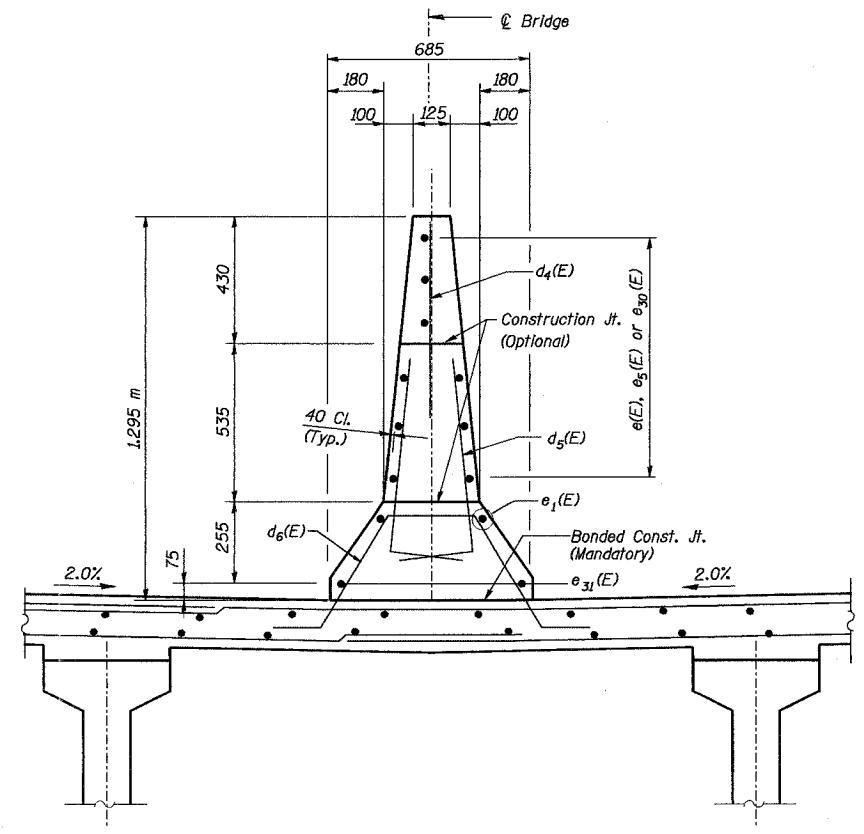
ELEVATION OF MEDIAN



VIEW C-C



SECTION D-D



SECTION THRU MEDIAN

**MIN. BAR. LAP**

#15 bar = 640  
#25 bar = 1.32 m

Notes:  
See sheet 8 for superstructure details and Bill of Material.  
Reinforcement bars designated (E) shall be epoxy coated.  
Bars indicated thus 20 x 3-#15 etc. indicates 20 lines of bars with 3 lengths per line.  
See sheets 22 and 23 for v7(E), v9(E), v10(E) and v12(E) bars.  
See sheets 12 and 13 for parapet and median barrier joint details.  
All dimensions are in millimeters (mm) except as noted.

REVISION	DATE	DESCRIPTION
STATE OF ILLINOIS DEPARTMENT OF TRANSPORTATION		
PARAPET AND MEDIAN DETAILS - SPAN 1		
RAMPS B-3 AND B-5 OVER WAR MEMORIAL DR. AND RAMP B-6 F.A.I. ROUTE 74 SECTION (72-7) R-3 PEORIA COUNTY STA. 10+618.61 (RAMP B-3) STA. 10+472.60 (RAMP B-5) STRUCTURE NUMBER 072-0190		
PARSONS TRANSPORTATION GROUP CHICAGO, ILLINOIS		
DRAWING NO. 9	SCALE N.T.S.	DATE 2-21-03
		SHEET NO. 9

Date: 11/22/2004 Time: 09:09:39 AM

Filename: P:\643996\structure\072-0190\sheet\Tracings\PS0003-1A0720190.dgn

Designed by: AK  
Checked by: MBO  
Drafted by: JV  
Checked by: AK