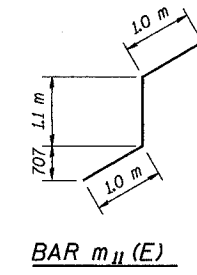
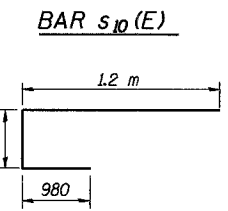
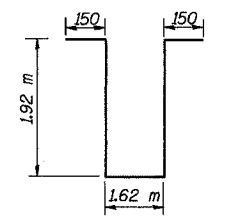
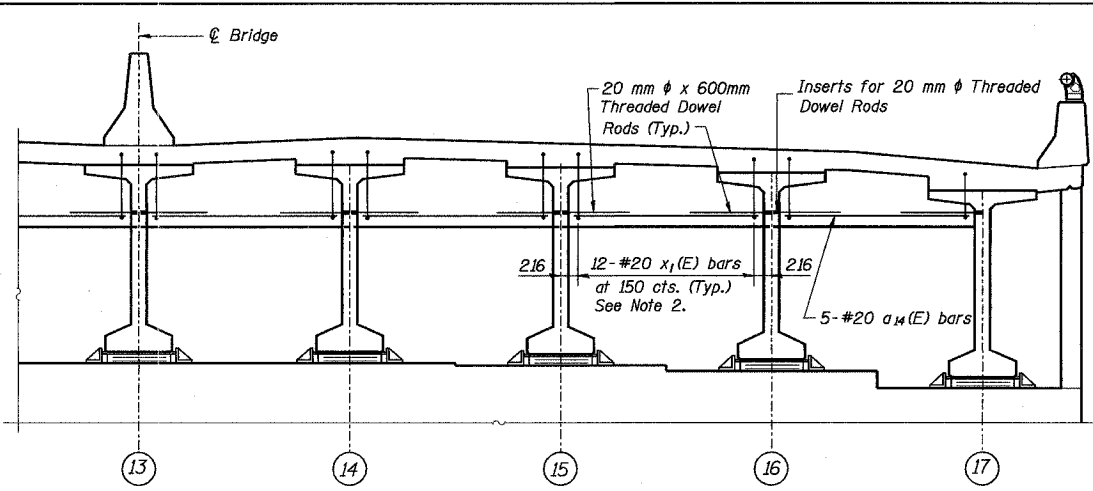
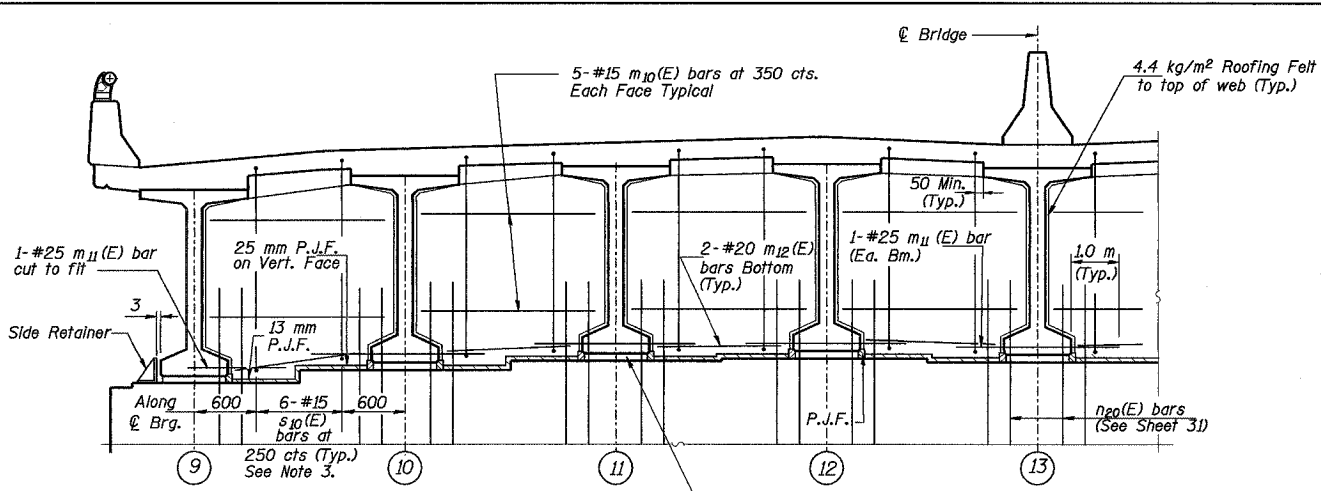
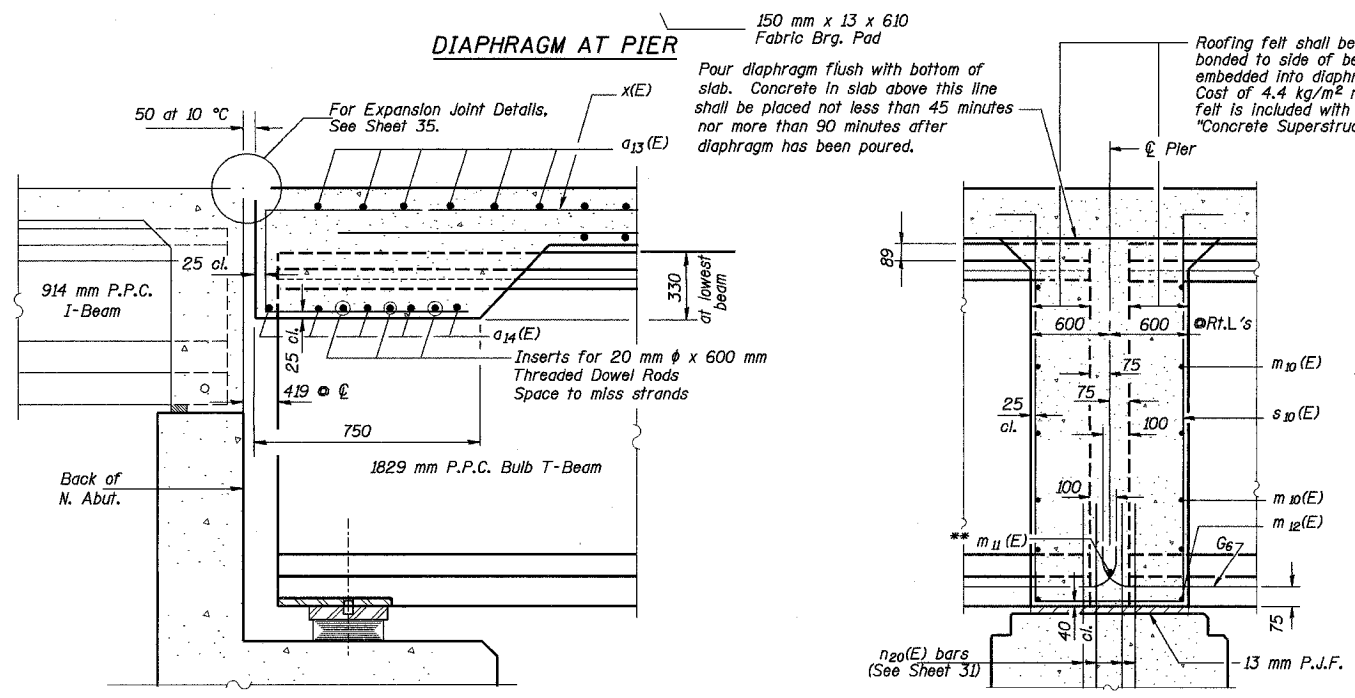


ROUTE NO.	SECT.	COUNTY	SHEET NO.	TOTAL SHEETS
F.A.I. 74	(72-7) R-3	PEORIA	510	1360
FED. ROAD DIST. NO. 7	ILLINOIS	FED. AID PROJECT		

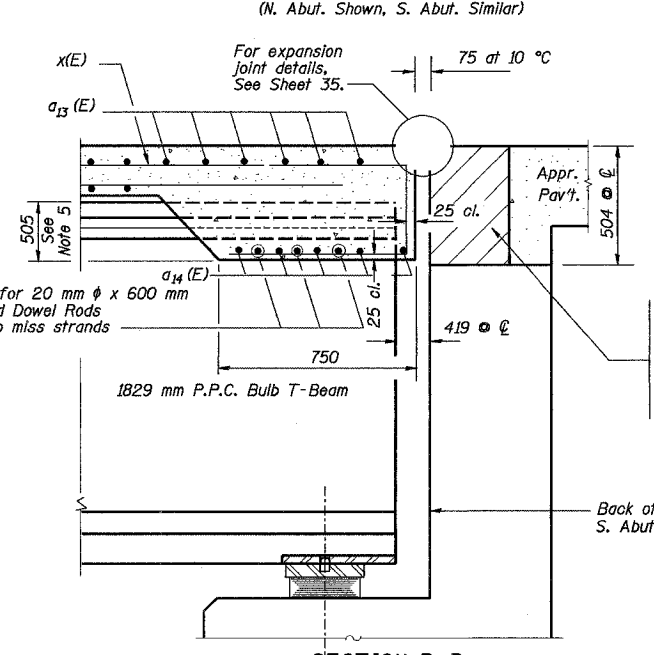
CONTRACT NO. 68200



DIAPHRAGM AT PIER



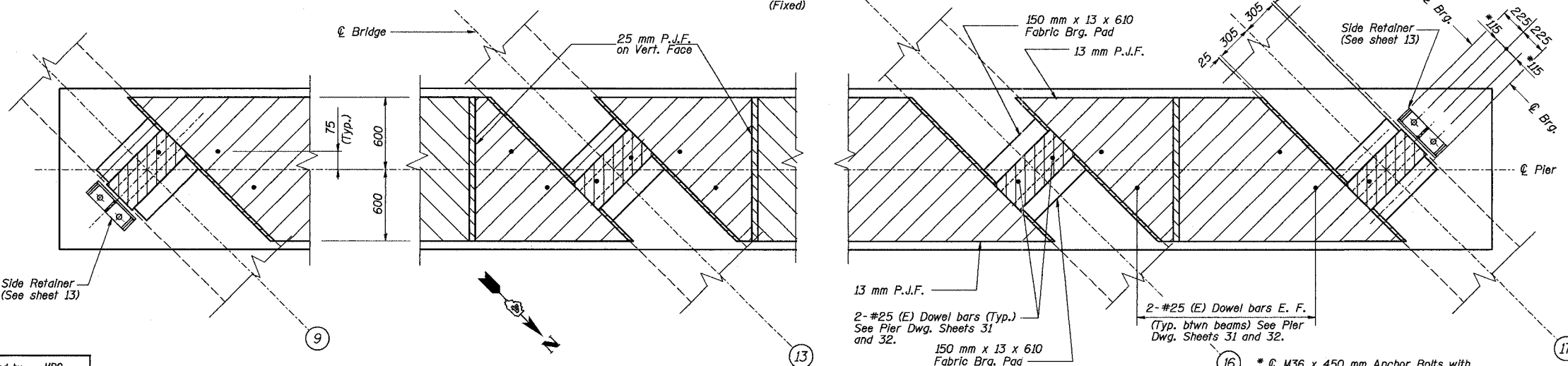
DIAPHRAGM AT ABUTMENT



SECTION A-A
(at Rt. L's)

SECTION AT PIER
(Fixed)

SECTION B-B
(at Rt. L's)



PLAN - TOP OF PIER DETAIL

	Bar	a	Location
N. Abutment	x(E)	720	from (9) to (12)
	x1(E)	680	from (12) to (14)
	x2(E)	620	btwn (14) & (15)
	x3(E)	550	btwn (15) & (16)
	x4(E)	470	btwn (16) & (17)
S. Abutment	x5(E)	700	from (9) to (17)

- Notes:
- Reinforcement bars shown on this sheet are included in Bill of Material on Sheet 13.
 - #20 x1(E) bars are parallel to beams. See table for x1(E) designations and placement.
 - #15 s10(E) bars are parallel to beams.
 - Reinforcement bars designated (E) shall be epoxy coated.
 - S. Abut. bottom of diaphragm, runs parallel to top of deck.
 - All dimensions are in millimeters (mm) except as noted.

REVISION	DATE	DESCRIPTION
STATE OF ILLINOIS DEPARTMENT OF TRANSPORTATION DIAPHRAGM DETAILS - SPANS 2 & 3 RAMP B-3 AND B-5 OVER WAR MEMORIAL DR. AND RAMP B-6 F.A.I. ROUTE 74 SECTION (72-7) R-3 PEORIA COUNTY STA. 10+618.61 (RAMP B-3) STA. 10+472.60 (RAMP B-5) STRUCTURE NUMBER 072-0190 PARSONS TRANSPORTATION GROUP CHICAGO, ILLINOIS		
DRAWING NO.	SCALE	DATE
11	N.T.S.	2-21-03
		SHEET NO.
		11

Date: 11/22/2004
 Time: 09:02:23 AM
 File: P:\649396\structure\072-0190\sheet\Tracings\SD0002-1A072090.dgn

Designed by: MBO
 Checked by: AK
 Drafted by: FTE
 Checked by: AK

* M36 x 450 mm Anchor Bolts with
 75 x 75 x 8 mm plate washer under nut. Holes
 in cap to be drilled after beams are in place.