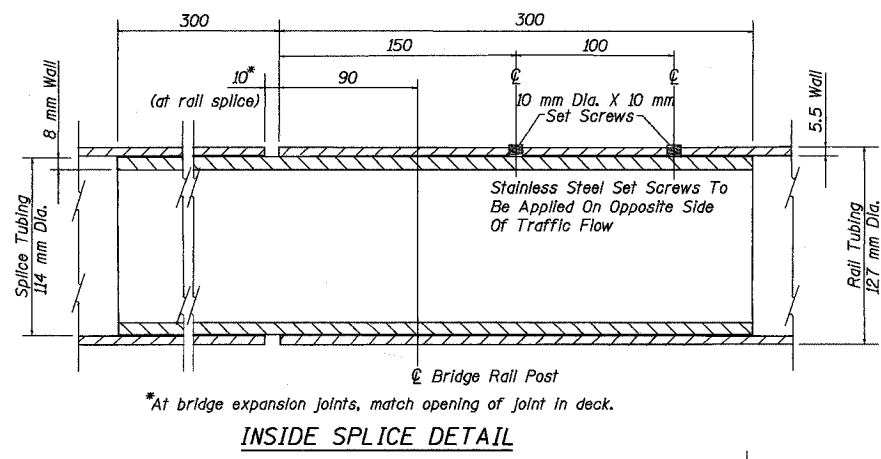
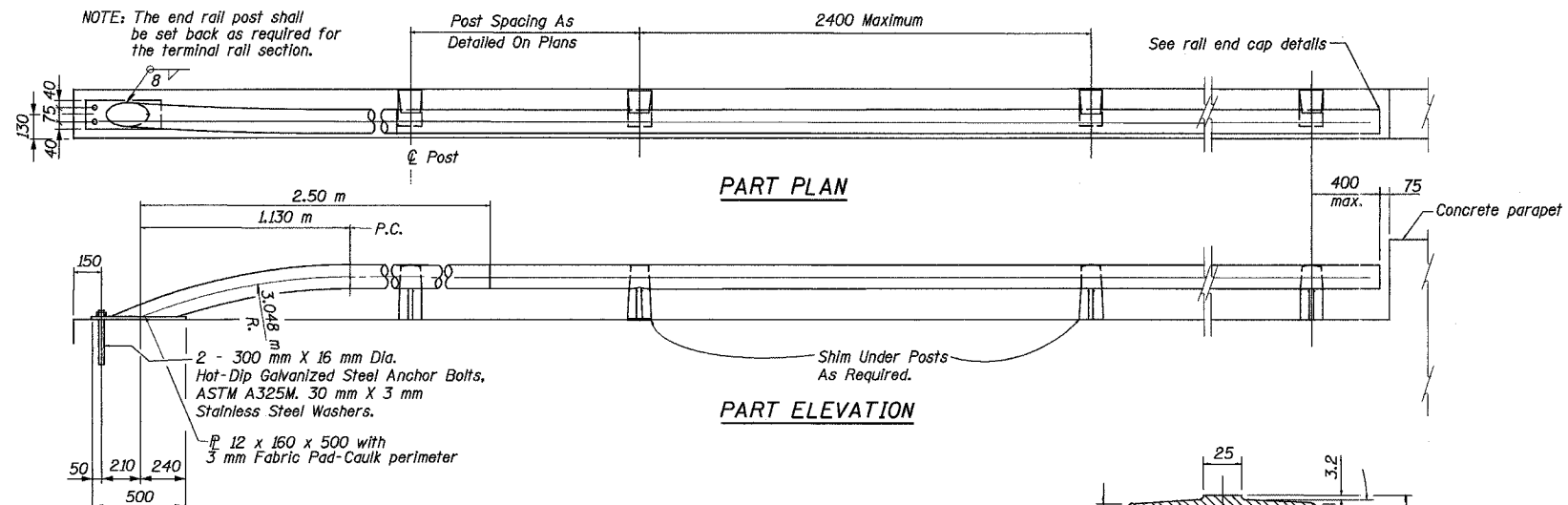
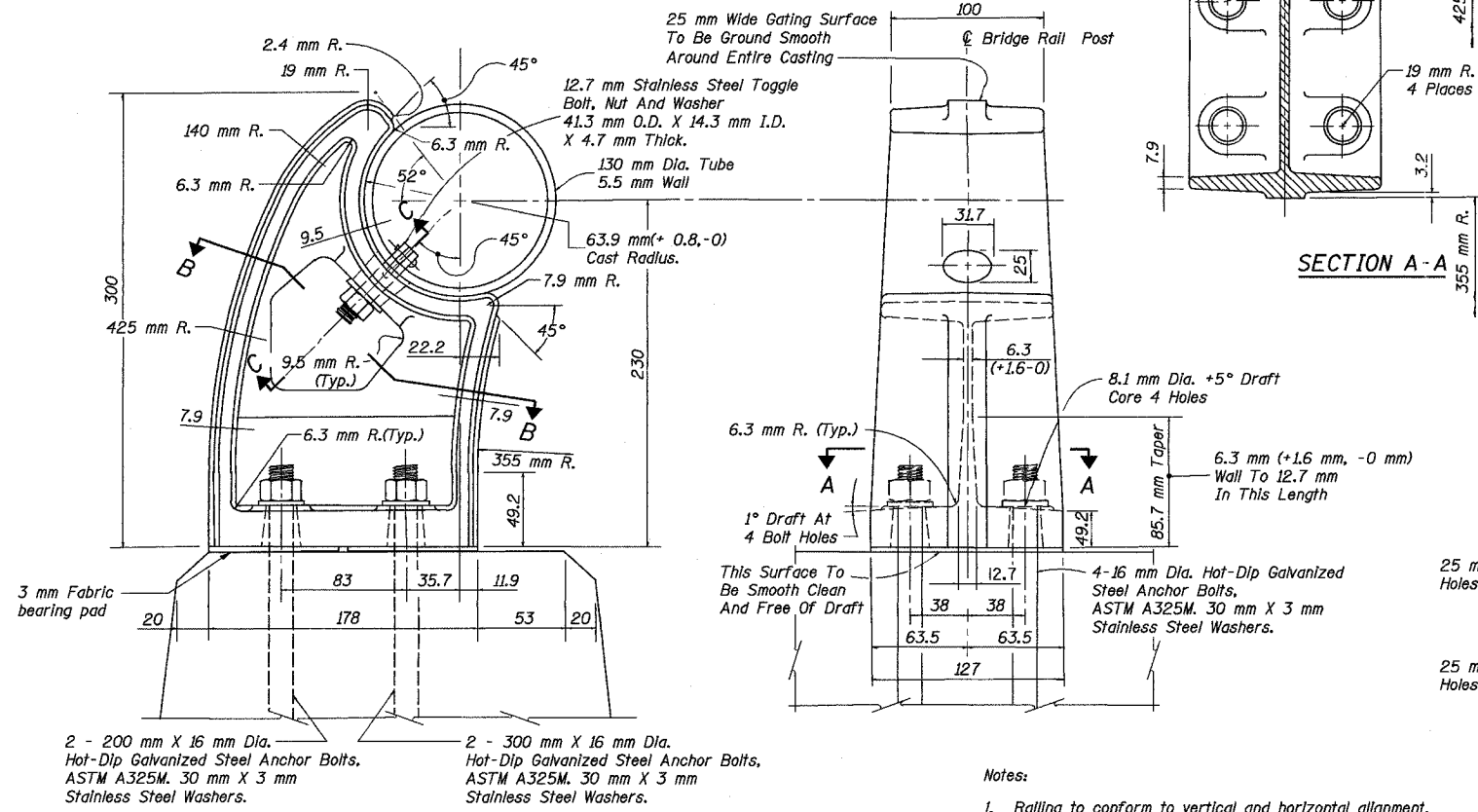


ROUTE NO.	SECT.	COUNTY	SHEET NO.	TOTAL SHEETS
F.A.I. 74	(72-7) R-3	PEORIA	513	1360
FED. ROAD DIST. NO. 7	ILLINOIS	FED. AID PROJECT		

CONTRACT NO. 68200

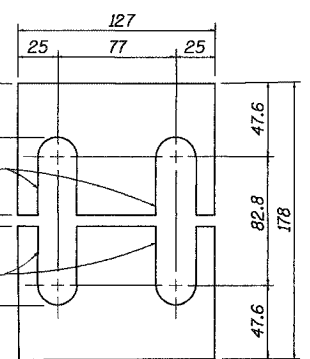
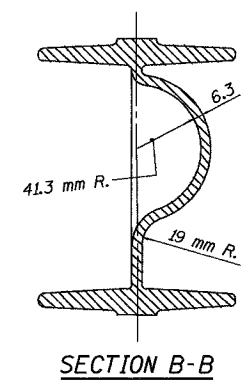


INSIDE SPLICE DETAIL



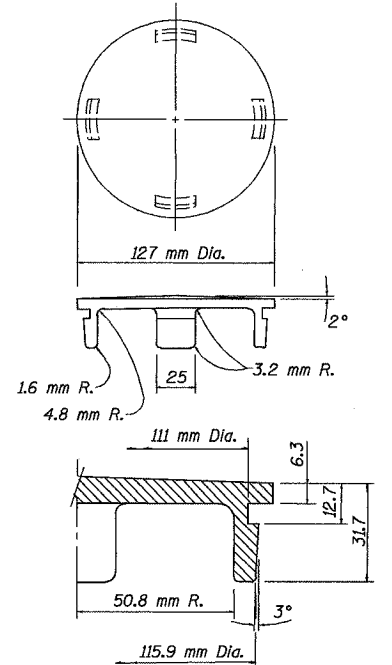
RAILING DETAILS

- Notes:
- Railing to conform to vertical and horizontal alignment.
 - Joint to be placed 7500 mm center to center, max.
 - Slip joint to be placed in panels to match expansion joints in deck.
 - Design weight: 9.3 kg. per meter.
 - Unless otherwise specified all draft to be 3°.
 - All unmarked Radius to be 3 mm R.
 - After fabrication, exposed surfaces of aluminum shall be given an anodic oxide coating, dyed black, conforming to the requirements of ASTM designation: B 580, Type 3, Architectural Class I.



BILL OF MATERIAL

Item	Unit	Quantity
Aluminum Railing, Type H (Special)	m	183.5



ALUMINUM RAILING TYPE H (SPECIAL)

REVISION	DATE	DESCRIPTION
STATE OF ILLINOIS DEPARTMENT OF TRANSPORTATION		
RAILING DETAILS - SINGLE RAIL		
RAMPS B-3 AND B-5 OVER WAR MEMORIAL DR. AND RAMP B-6 F.A.I. ROUTE 74 SECTION (72-7) R-3 PEORIA COUNTY STA. 10+618.61 (RAMP B-3) STA. 10+472.60 (RAMP B-5) STRUCTURE NUMBER 072-0190		
PARSONS TRANSPORTATION GROUP CHICAGO, ILLINOIS		
DRAWING NO. 14	SCALE N.T.S.	DATE 2-21-03
		SHEET NO. 14

Date: 11/22/2004 Time: 09:17:17 AM File: P:\643996\str\ctur\072-0190\sheet\Tr\acings\RD0001-1A0720190.dgn