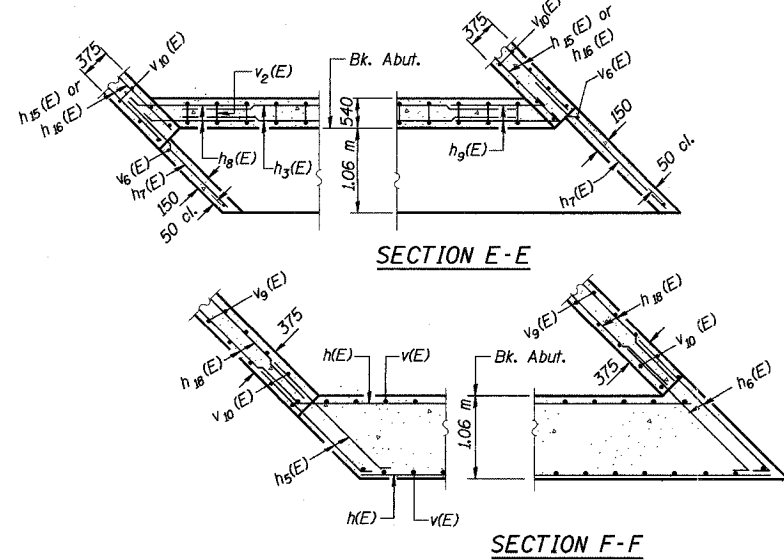
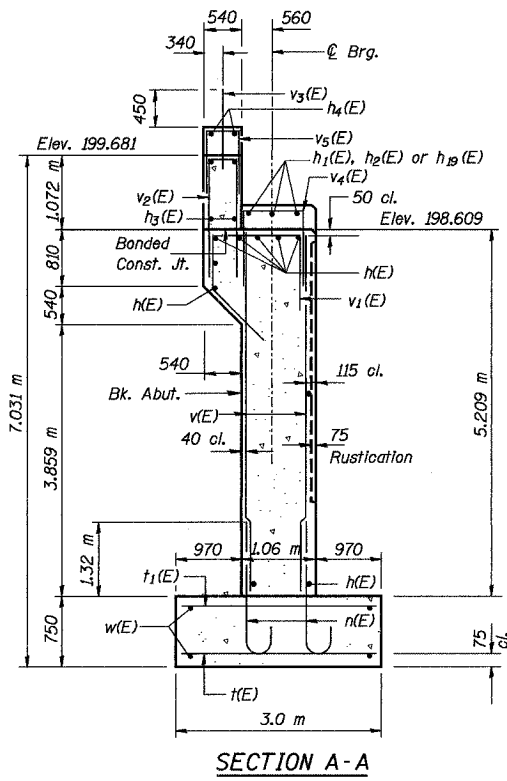


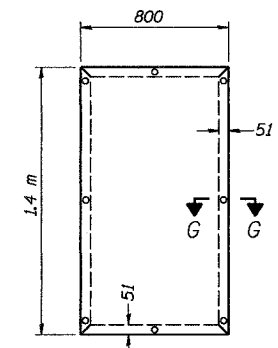
ROUTE NO.	SECT.	COUNTY	SHEET NO.	TOTAL SHEETS
F.A.I. 74	(72-7) R-3	PEORIA	522	1360
FED. ROAD DIST. NO. 7		ILLINOIS	FED. AID PROJECT	
CONTRACT NO. 68200				

BILL OF MATERIAL

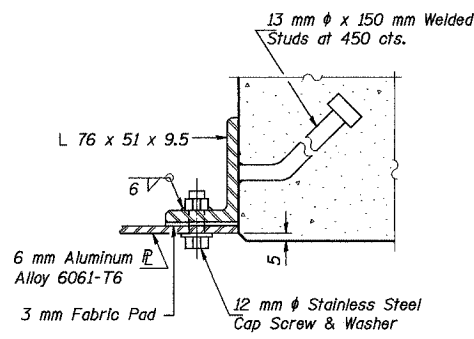
Bar	No.	Size	Length (m)	Shape
n(E)	78	#15	13.42	—
h ₁ (E)	3	#15	9.44	—
h ₂ (E)	3	#15	8.73	—
h ₃ (E)	16	#15	12.89	—
h ₄ (E)	4	#15	9.13	—
h ₅ (E)	34	#15	2.92	—
h ₆ (E)	42	#15	2.92	—
h ₇ (E)	14	#15	2.46	—
h ₈ (E)	16	#15	1.01	—
h ₉ (E)	16	#15	1.01	—
h ₁₀ (E)	4	#20	2.01	—
h ₁₁ (E)	4	#20	2.01	—
h ₁₂ (E)	4	#30	3.25	—
h ₁₃ (E)	4	#30	3.25	—
h ₁₄ (E)	10	#30	14.15	—
h ₁₅ (E)	16	#20	7.54	—
h ₁₆ (E)	32	#15	8.29	—
h ₁₇ (E)	20	#20	11.46	—
h ₁₈ (E)	3	#15	2.80	—
n ₁ (E)	176	#25	2.28	—
n ₂ (E)	16	#15	1.78	—
p ₁ (E)	14	#25	13.91	—
p ₂ (E)	3	#15	9.00	—
p ₃ (E)	3	#15	10.45	—
p ₄ (E)	11	#25	1.80	—
s ₂ (E)	81	#15	3.20	—
s ₃ (E)	2	#15	3.74	—
s ₄ (E)	64	#15	1.96	—
t ₁ (E)	97	#25	2.90	—
t ₂ (E)	97	#15	2.90	—
v ₁ (E)	176	#25	5.16	—
v ₂ (E)	84	#15	3.92	—
v ₃ (E)	83	#15	3.28	—
v ₄ (E)	143	#15	0.90	—
v ₅ (E)	66	#15	2.22	—
v ₆ (E)	61	#15	1.48	—
v ₇ (E)	12	#15	2.60	—
v ₈ (E)	72	#15	1.80	—
v ₉ (E)	92	#15	2.52	—
v ₁₀ (E)	56	#15	6.95	—
v ₁₁ (E)	16	#15	7.28	—
w ₁ (E)	22	#15	14.75	—
Reinforcing Bars, Epoxy Coated	kg	16,490		
Concrete Structures	m ³	304.1		
Structure Excavation	m ³	526		
Furnishing Metal	m	137.5		
Pile Shells 305 mm				
Driving and Filling Shells	m	137.5		
Test Pile Metal Shells	Each	1		



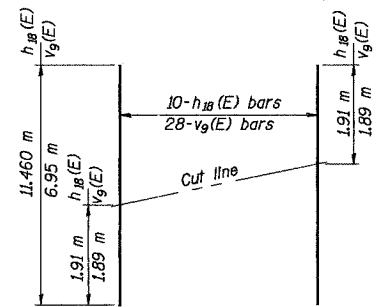
Note:
See Lighting and Electrical Plans for embedded conduit and junction box details.



Cost of door and frame are included with "Concrete Structures".



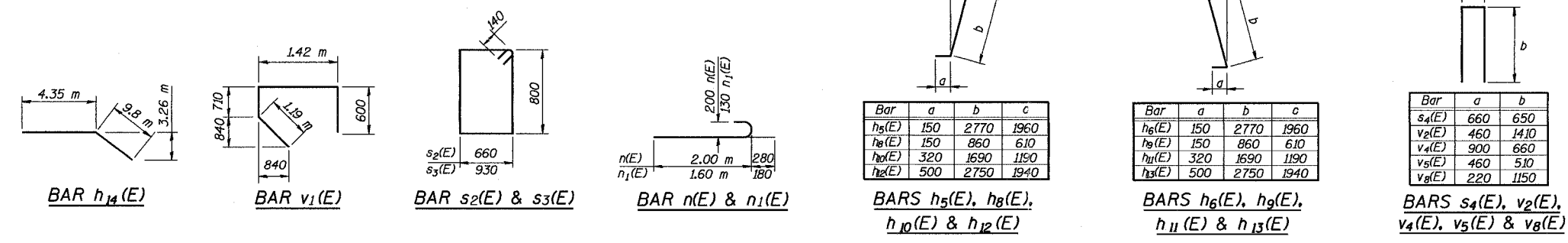
Door is recessed. Opening is slightly larger to facilitate fit-up.



FIELD CUTTING DIAGRAM

* Order h₁₈(E) and v₉(E) bars full length. Cut to fit and use the remainder of bars in opposite face. Trim as needed for door.

Notes:
Reinforcement bars designated (E) shall be epoxy coated.
Work this sheet with sheet 21 & 22.
All dimensions are in millimeters (mm) except as noted.



Bar	a	b	c
h ₅ (E)	150	2770	1960
h ₈ (E)	150	860	610
h ₁₀ (E)	320	1690	1190
h ₁₂ (E)	500	2750	1940

Bar	a	b	c
h ₆ (E)	150	2770	1960
h ₉ (E)	150	860	610
h ₁₁ (E)	320	1690	1190
h ₁₃ (E)	500	2750	1940

Bar	a	b
s ₄ (E)	660	650
v ₂ (E)	460	1410
v ₄ (E)	900	660
v ₅ (E)	460	510
v ₈ (E)	220	1150

Designed by: MBO
Checked by: DL
Drafted by: FTE
Checked by: DL

REVISION	DATE	DESCRIPTION
STATE OF ILLINOIS DEPARTMENT OF TRANSPORTATION		
NORTH ABUTMENT DETAILS II		
RAMPS B-3 AND B-5 OVER WAR MEMORIAL DR. AND RAMP B-6 F.A.I. ROUTE 74 SECTION (72-7) R-3 PEORIA COUNTY STA. 10+618.61 (RAMP B-3) STA. 10+472.60 (RAMP B-5) STRUCTURE NUMBER 072-0190		
PARSONS TRANSPORTATION GROUP CHICAGO, ILLINOIS		
DRAWING NO. 23	SCALE N.T.S.	DATE 2-21-03
		SHEET NO. 23