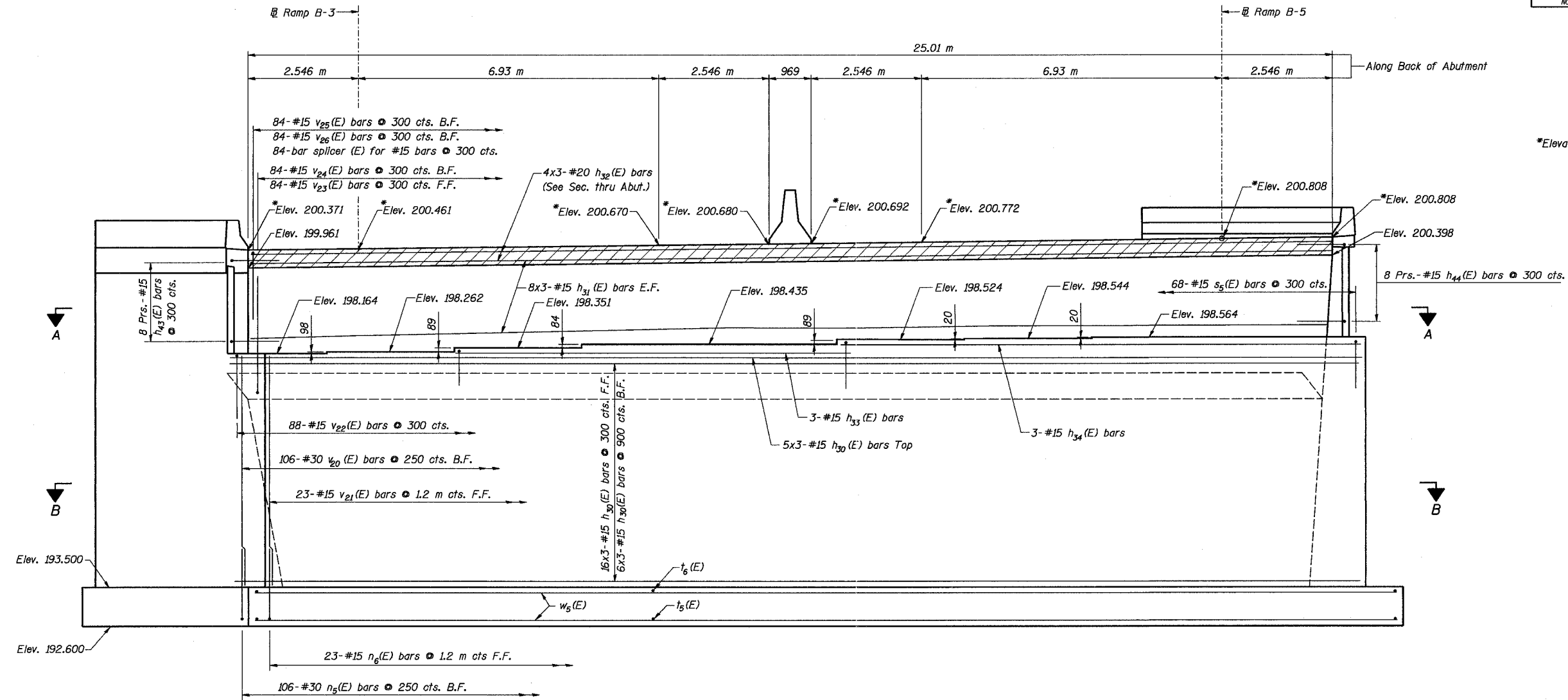
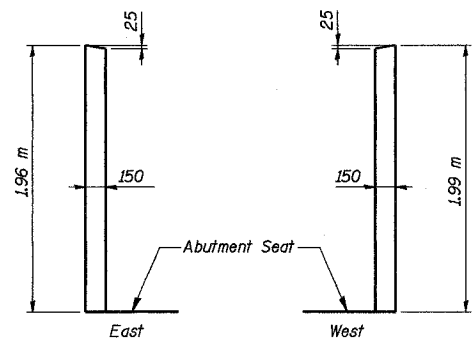


ROUTE NO.	SECT.	COUNTY	SHEET NO.	TOTAL SHEETS
F.A.I. 74	(72-7) R-3	PEORIA	524	1360
FED. ROAD DIST. NO. 7	ILLINOIS	FED. AID PROJECT	CONTRACT NO. 68200	



SOUTH ABUTMENT
(Looking South)
(Railings Not Shown For Clarity,
Partial Cheek Wall Shown For Clarity)



CHEEK WALL DETAILS

Notes:

- Space reinforcement in cap to miss anchor bolts.
- Pour steps monolithically with cap.
- Reinforcement bars designated (E) shall be epoxy coated.
- Bars indicated thus 14x2-#15 etc. indicates 14 lines of bars with 2 lengths per line.
- For Bill of Material see Sheet 29.
- For Architectural details on face of abutments and wingwalls see Sheet 30.
- For Sections A-A & B-B see Sheet 26.
- All dimensions are in millimeters (mm) except as noted.
- Work this Sheet with Sheets 24 and 26.

F.F. = Front Face
B.F. = Back Face
E.F. = Each Face

MIN. BAR LAP
#15 bar = 640
#20 bar = 790

REVISION	DATE	DESCRIPTION
STATE OF ILLINOIS DEPARTMENT OF TRANSPORTATION		
SOUTH ABUTMENT ELEVATION		
RAMPS B-3 AND B-5 OVER WAR MEMORIAL DR. AND RAMP B-6 F.A.I. ROUTE 74 SECTION (72-7) R-3 PEORIA COUNTY STA. 10+618.61 (RAMP B-3) STA. 10+472.60 (RAMP B-5) STRUCTURE NUMBER 072-0190		
PARSONS TRANSPORTATION GROUP CHICAGO, ILLINOIS		
DRAWING NO. 25	SCALE N.T.S.	DATE 2-21-03
		SHEET NO. 25

Date: 11/22/2004
 Time: 09:26:56 AM
 File: P:\649996\structure\072-0190\sheet\Tr-acings\AB0003-A072090.dgn

Designed by:	DL
Checked by:	AK
Drafted by:	JMG
Checked by:	AK