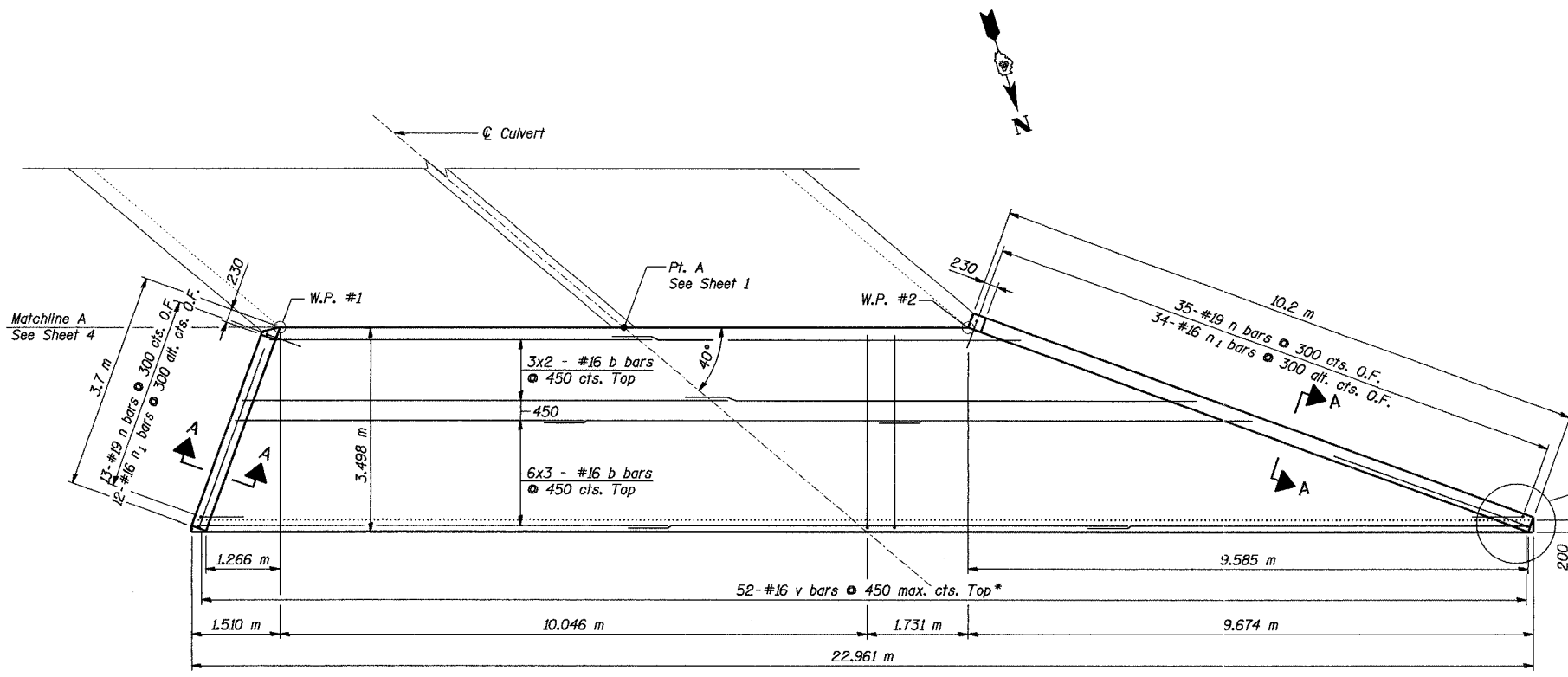
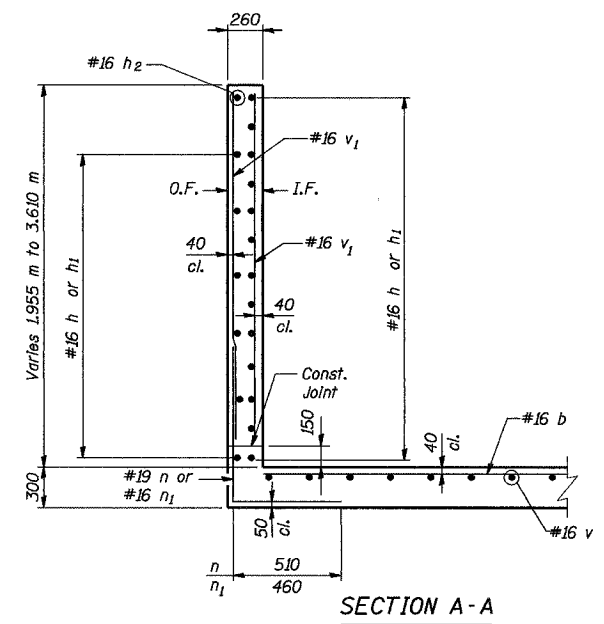


ROUTE NO.	SECT.	COUNTY	SHEET NO.	TOTAL SHEETS
F.A.I. 74	(72-7) R-3	PEORIA	546	1360
FED. ROAD DIST. NO. 7	ILLINOIS	FED. AID PROJECT		

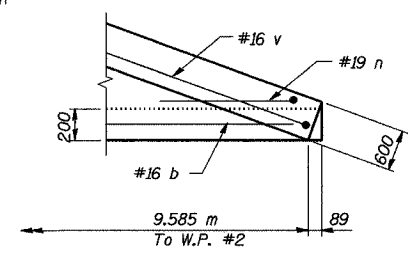
CONTRACT NO. 68200



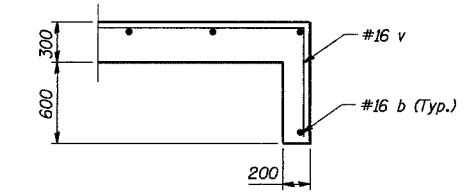
PLAN - BOTTOM SLAB



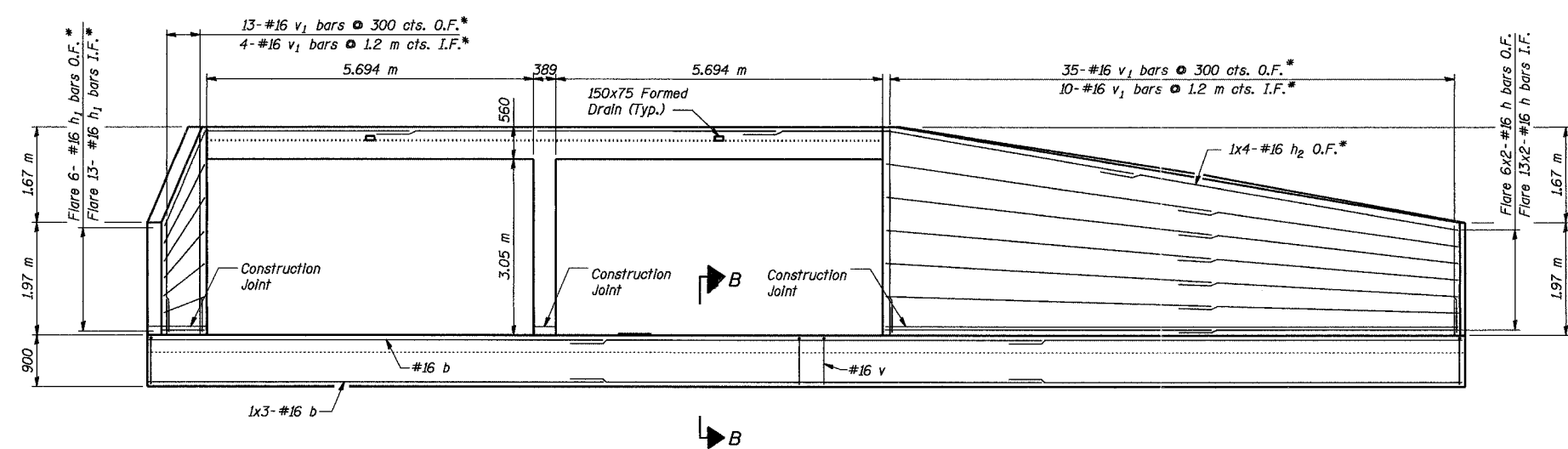
SECTION A-A



DETAIL 1
Typ. Reinf. Configuration



SECTION B-B



ELEVATION

*Cut or bend in Field to fit

Notes:
 Bars indicated thus 20x3-#16 etc. indicates 20 lines of bars with 3 lengths per line.
 O.F. = Outside Face
 I.F. = Inside Face
 For Bar Details and Bill of Material see Sheet 5.
 All dimensions are in millimeters (mm) except as noted.

REVISION	DATE	DESCRIPTION
STATE OF ILLINOIS DEPARTMENT OF TRANSPORTATION		
CULVERT PLAN AND SECTION I		
RAMP B-3 OVER DRY RUN CREEK F.A.I. ROUTE 74 SEC. (72-7)R-3 PEORIA COUNTY STA. 11+072.082 (RAMP B-3) STRUCTURE NUMBER 072-2030		
PARSONS TRANSPORTATION GROUP CHICAGO, ILLINOIS		
DRAWING NO. 3	SCALE N.T.S.	DATE 8/31/04
		SHEET NO. 3

MIN. BAR LAP
#16 Bar - 680

Date: 11/22/2004 Time: 11:20:57 AM
 File name: P:\643996\structure\072-2030-culvert\sheet\Tracings\RE0001-1A0722030.dgn

Designed by:	WEE
Checked by:	RW
Drafted by:	RKS
Checked by:	RW