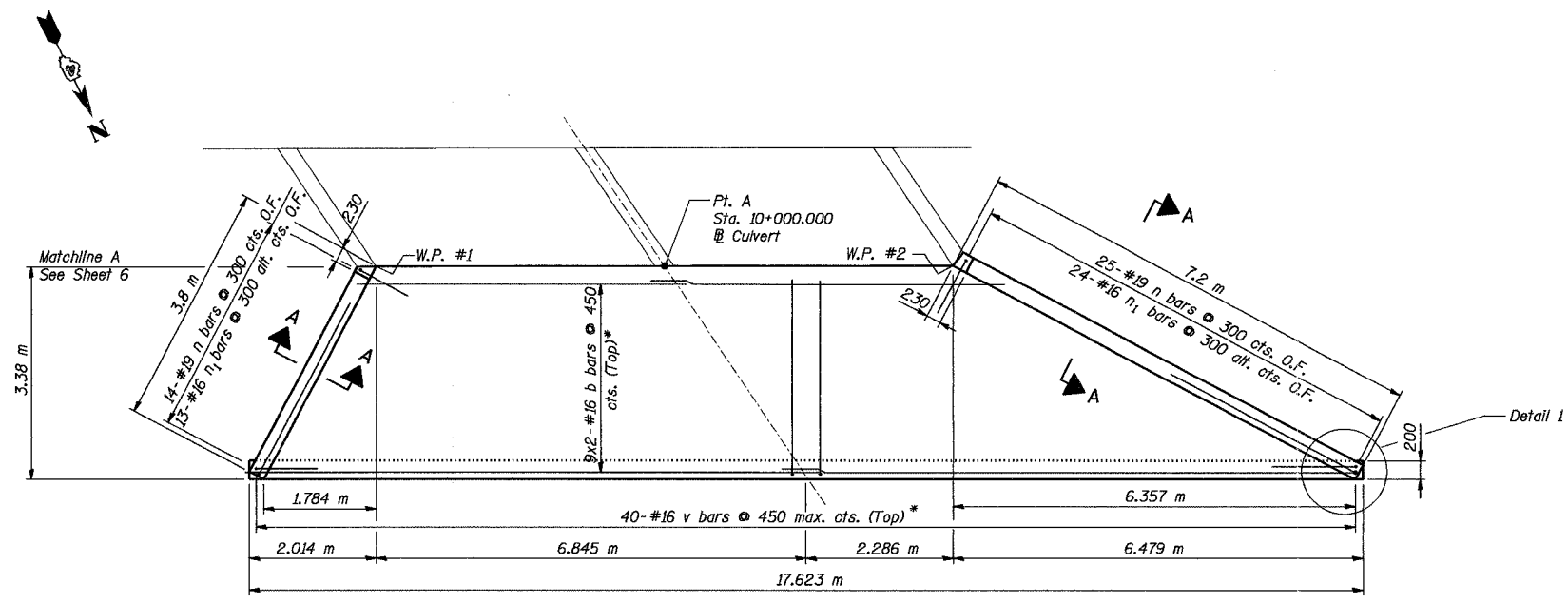


ROUTE NO.	SECT.	COUNTY	SHEET NO.	TOTAL SHEETS
F.A.I. 74	(72-7) R-3	PEORIA	556	1340
FED. ROAD DIST. NO. 7	ILLINOIS	FED. AID PROJECT		

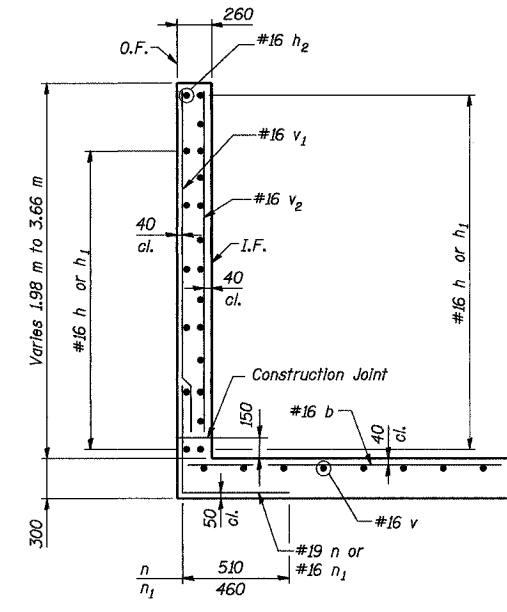
CONTRACT NO. 68200

Date: 11/22/2004 Time: 11:50:57 AM

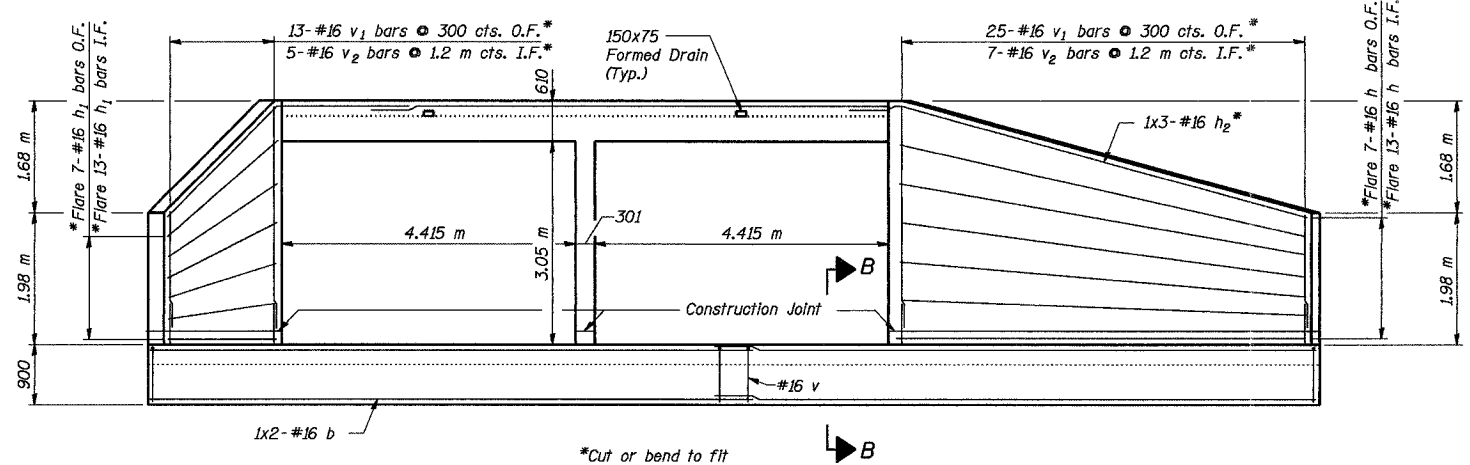
Filename: P:\643996\structural\31072-2032\sheet\Final Plans\Contract #10\REDO00-1A072032.dgn



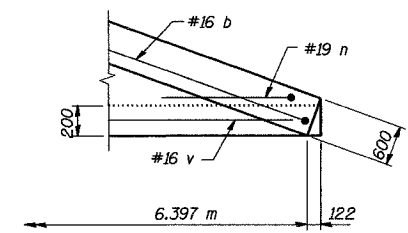
PLAN - BOTTOM SLAB



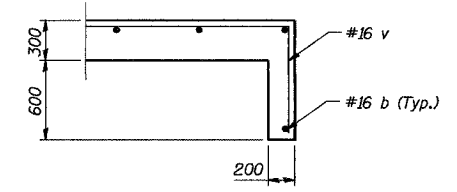
SECTION A-A



ELEVATION



DETAIL 1
Typical Reinf. Configuration



SECTION B-B

Notes:
 Bars Indicated thus 20x3-#16 etc. Indicates 20 lines of bars with 3 lengths per line.
 All Stations are measured along @ Culvert.
 O.F. = Outside Face
 I.F. = Inside Face
 For Bar Details and Bill of Material see Sheet 12.

LAP LENGTHS
 #16 - 680

Designed by: WEE
 Checked by: AK
 Drafted by: JY
 Checked by: AK

REVISION	DATE	DESCRIPTION
STATE OF ILLINOIS DEPARTMENT OF TRANSPORTATION		
CULVERT PLAN AND SECTION I		
F.A.I. ROUTE 74 (I-74) OVER DRY RUN CREEK F.A.I. ROUTE 74 SEC. (72-7)R-3 PEORIA COUNTY STA. 143+305.339 (E.B. I-74) STRUCTURE NUMBER 072-2032		
PARSONS TRANSPORTATION GROUP CHICAGO, ILLINOIS		
DRAWING NO. 5	SCALE N.T.S.	DATE 6/30/03
		SHEET NO. 5