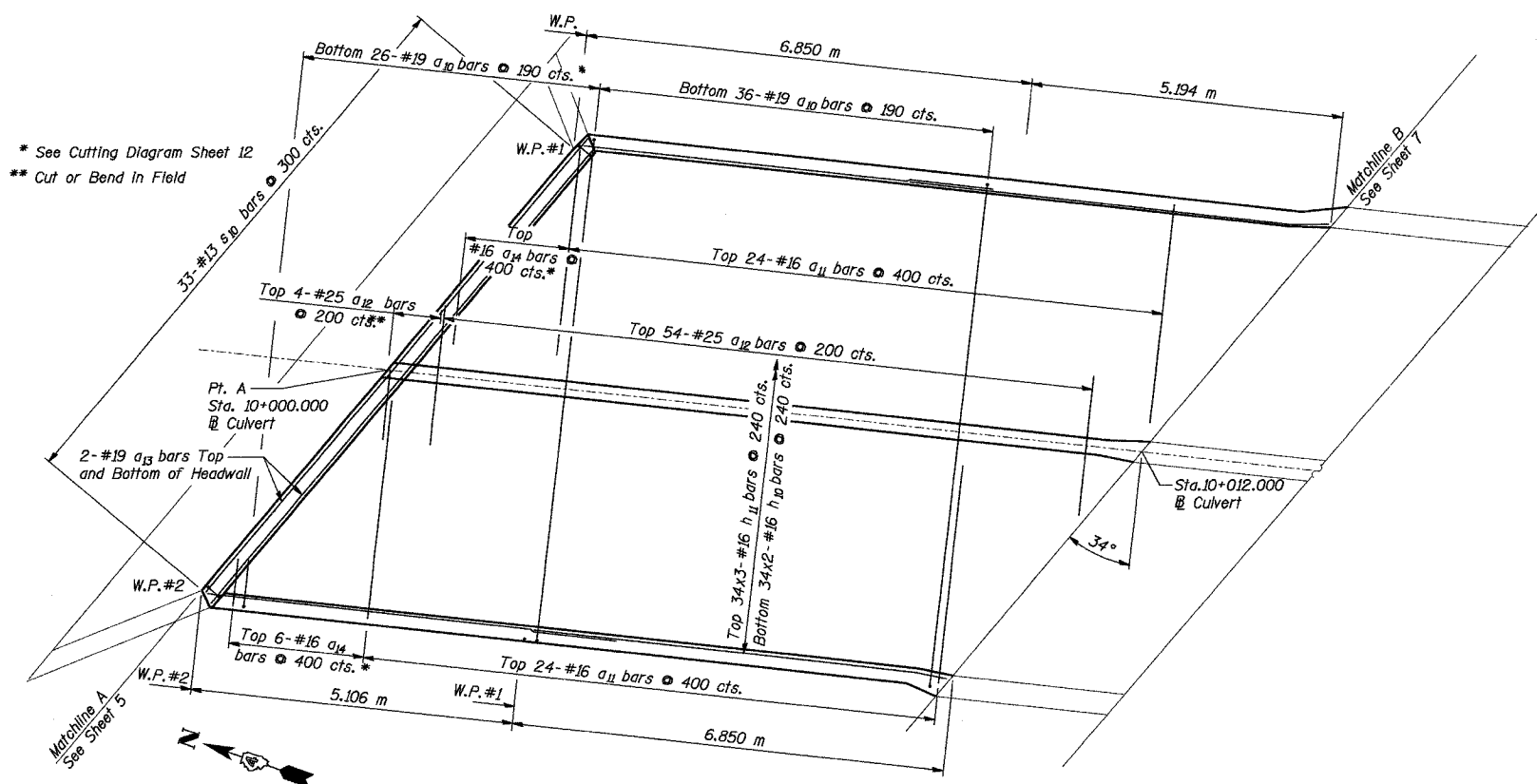


ROUTE NO.	SECT.	COUNTY	SHEET NO.	TOTAL SHEETS
F.A.I. 74	(72-7) R-3	PEORIA	557	1360
FED. ROAD DIST. NO. 7	ILLINOIS	FED. AID PROJECT		

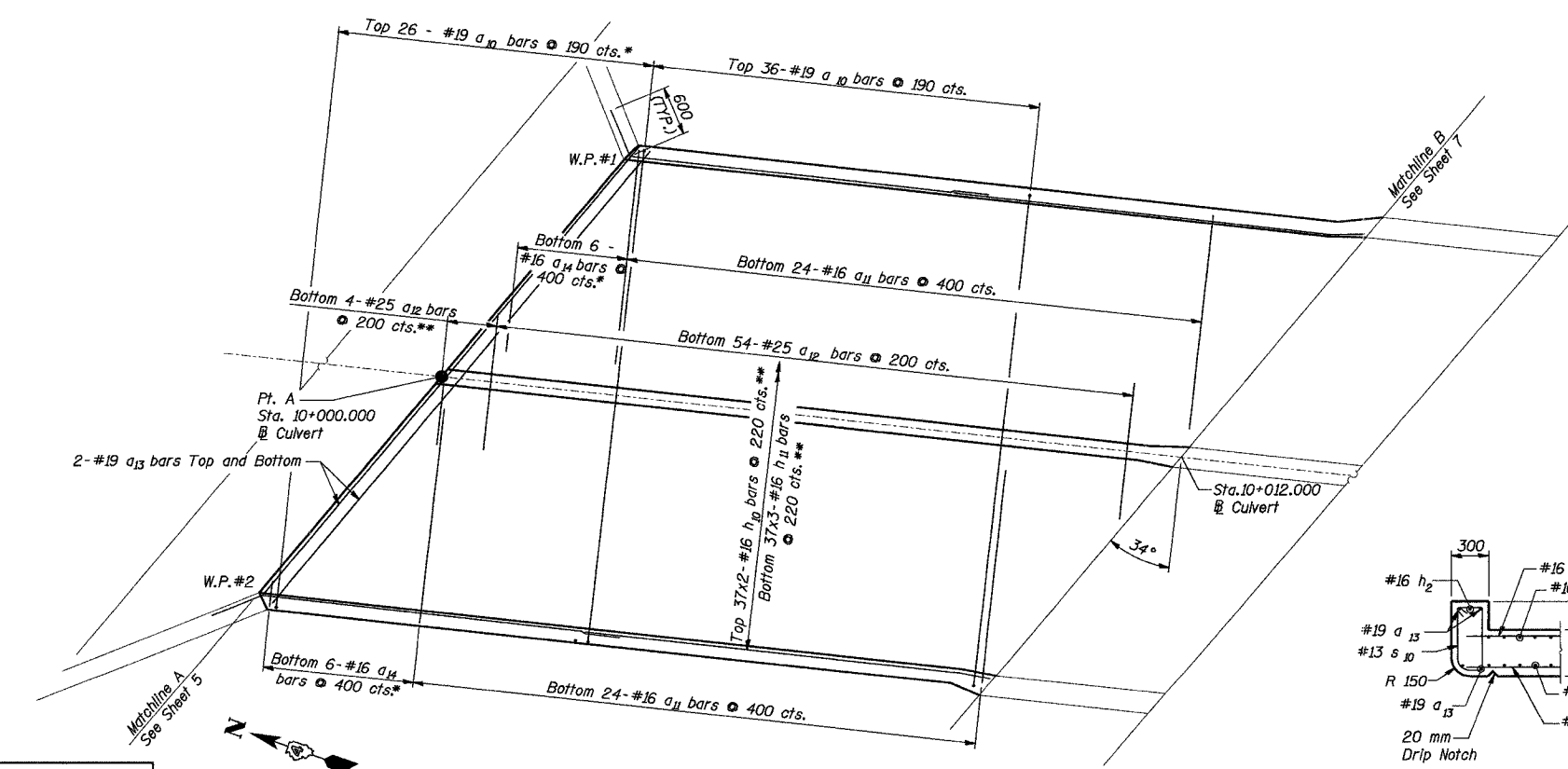
CONTRACT NO. 68200

Date: 11/22/2004 Time: 11:51:16 AM

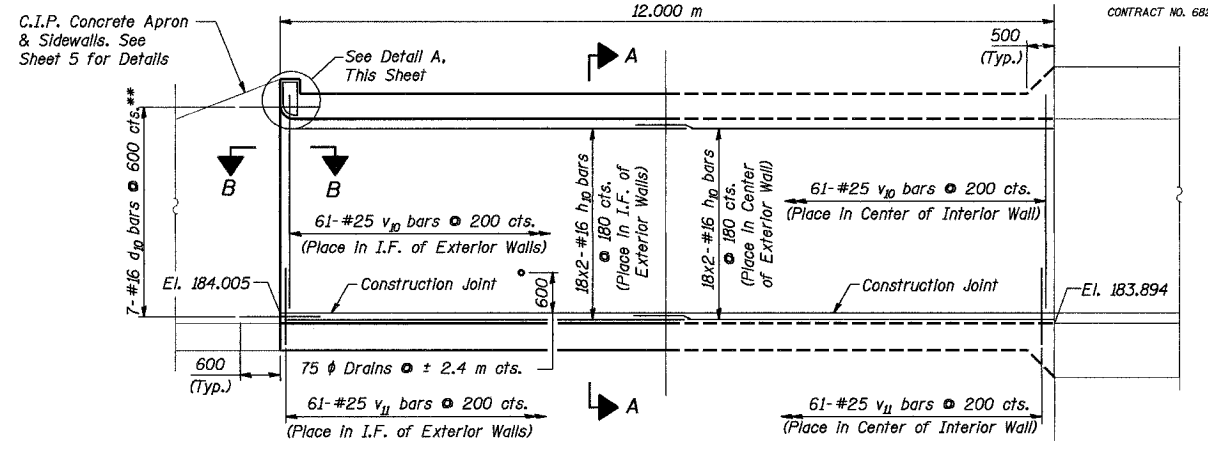
File name: P:\643996\structural\A3\072-2032\sheet\Final Plans\Contract \*ION\RE0002-IA0722032.dgn



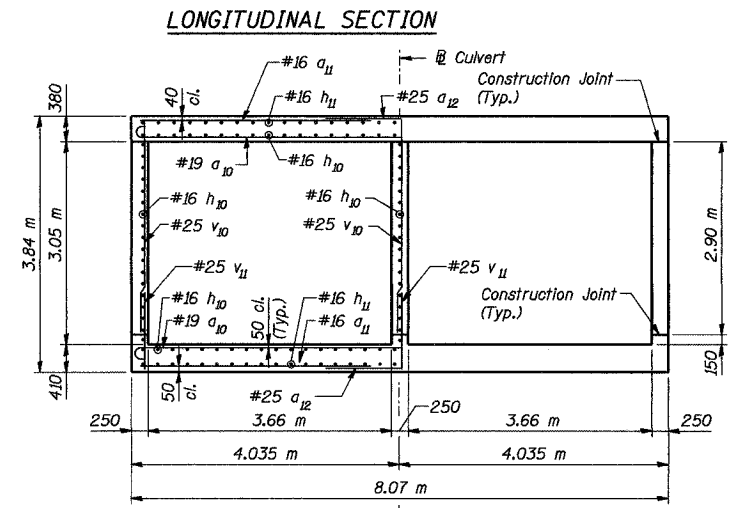
PLAN - TOP SLAB REINFORCEMENT



PLAN - BOTTOM SLAB REINFORCEMENT



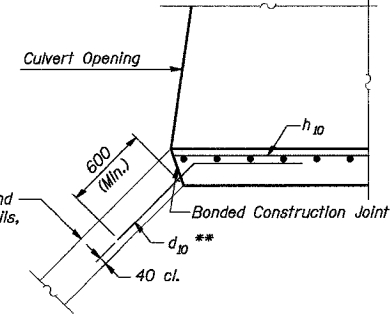
EXTERIOR WALL REINFORCEMENT INTERIOR WALL REINFORCEMENT



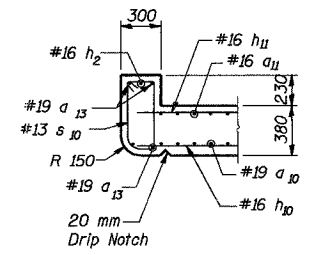
SECTION A-A

Reinforcement symmetrical about @ Culvert I.F. = Inside Face O.F. = Outside Face

Notes:  
 Bars indicated thus 20x3-#16 etc. indicates 20 lines of bars with 3 lengths per line.  
 For Bar Details and Bill of Material see Sheet 12.  
 All Stations and Elevations are measured along @ Culvert.



SECTION B-B  
Typical for Both Ends



DETAIL A

LAP LENGTHS

#16 - 550  
 #19 - 670

Designed by: \_\_\_\_\_  
 Checked by: \_\_\_\_\_  
 Drafted by: \_\_\_\_\_  
 Checked by: \_\_\_\_\_

REVISION	DATE	DESCRIPTION
STATE OF ILLINOIS DEPARTMENT OF TRANSPORTATION		
CULVERT PLAN AND SECTION II		
F.A.I. ROUTE 74 (I-74) OVER DRY RUN CREEK F.A.I. ROUTE 74 SEC. (72-7)R-3 PEORIA COUNTY STA. 143+305.339 (E.B. I-74) STRUCTURE NUMBER 072-2032		
PARSONS TRANSPORTATION GROUP CHICAGO, ILLINOIS		
DRAWING NO. 6	SCALE N.T.S.	DATE 6/30/03
		SHEET NO. 6