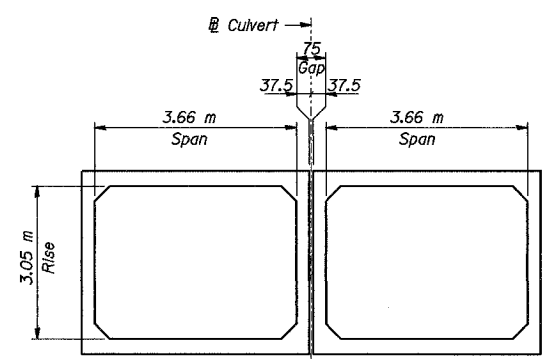
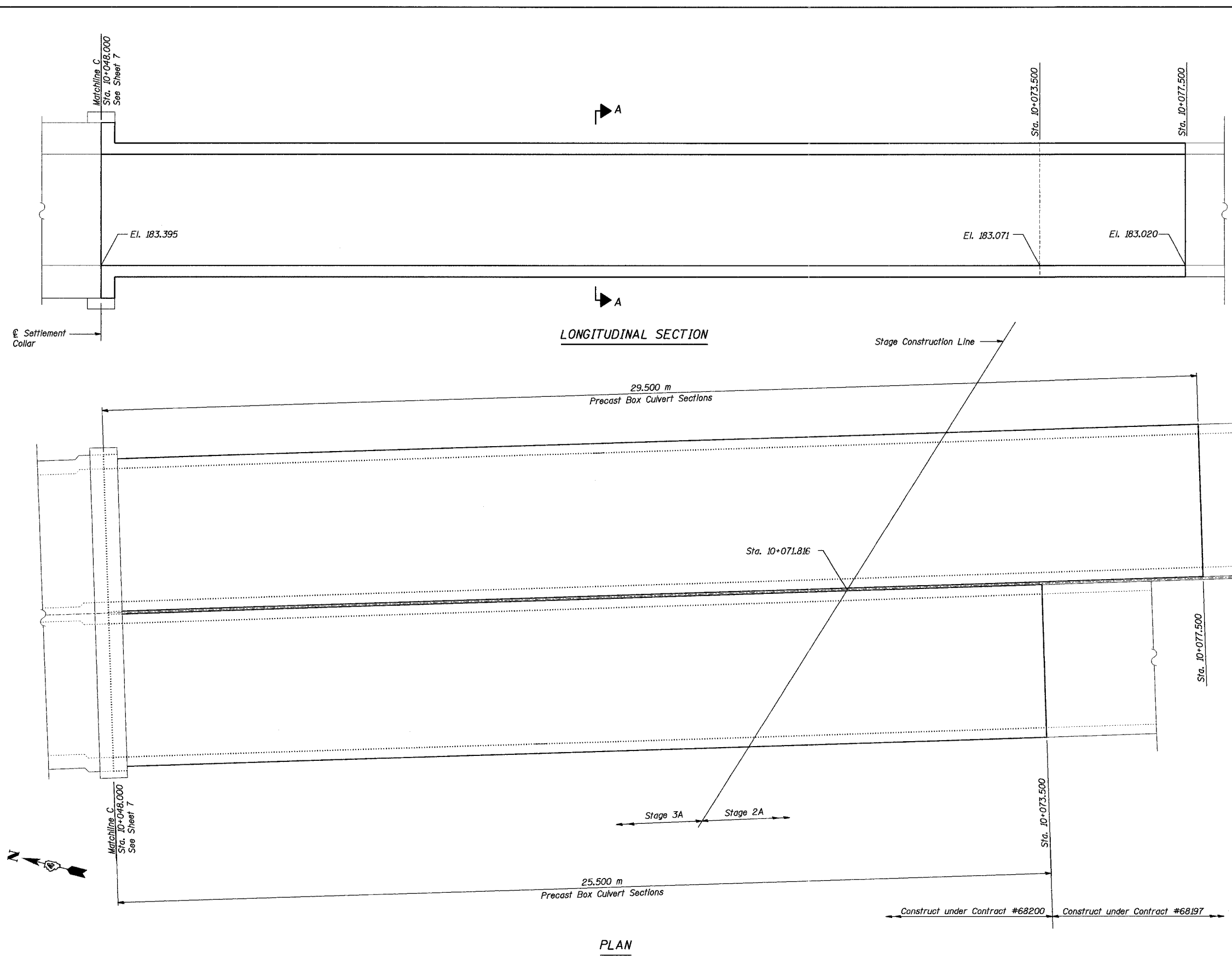


ROUTE NO.	SECT.	COUNTY	SHEET NO.	TOTAL SHEETS
F.A.I. 74	(72-7) R-3	PEORIA	559	1360
FED. ROAD DIST. NO. 7	ILLINOIS	FED. AID PROJECT		

CONTRACT NO. 68200

Date: 11/22/2004 Time: 11:51:56 AM

Filename: P:\643996\Structure\A3\072-2032\sheet\Final Plans\Contract #10\RE0006-1A0722032.dgn



Note:
All Stations and Elevations are measured along @ culvert.

REVISION	DATE	DESCRIPTION
STATE OF ILLINOIS DEPARTMENT OF TRANSPORTATION		
CULVERT PLAN AND SECTION IV		
F.A.I. ROUTE 74 (I-74) OVER DRY RUN CREEK F.A.I. ROUTE 74 SEC. (72-7)R-3 PEORIA COUNTY STA. 143+305.339 (E.B. I-74) STRUCTURE NUMBER 072-2032		
PARSONS TRANSPORTATION GROUP CHICAGO, ILLINOIS		
DRAWING NO. 8	SCALE N.T.S.	DATE 6/30/03
		SHEET NO. 8

Designed by: WEE
Checked by: AK
Drafted by: JV
Checked by: AK