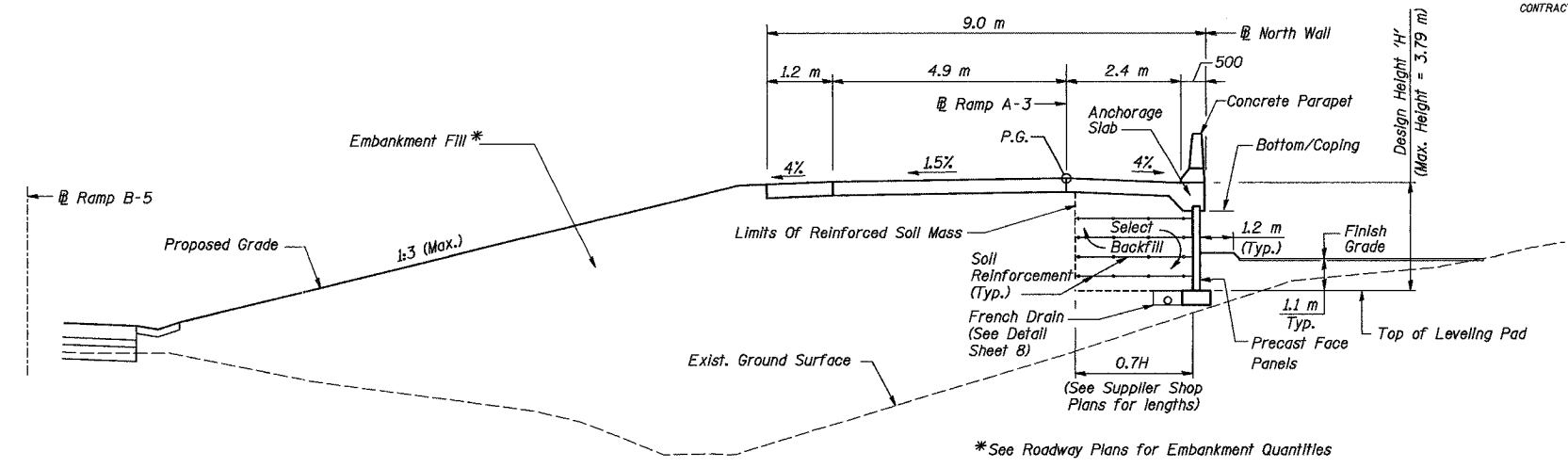
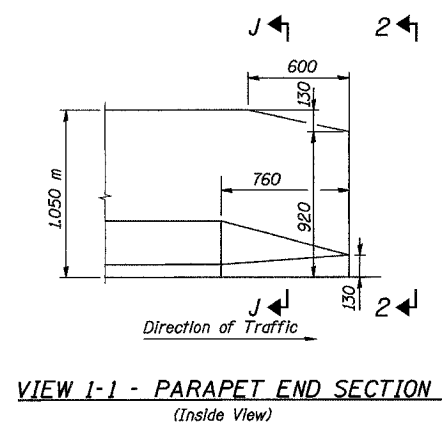


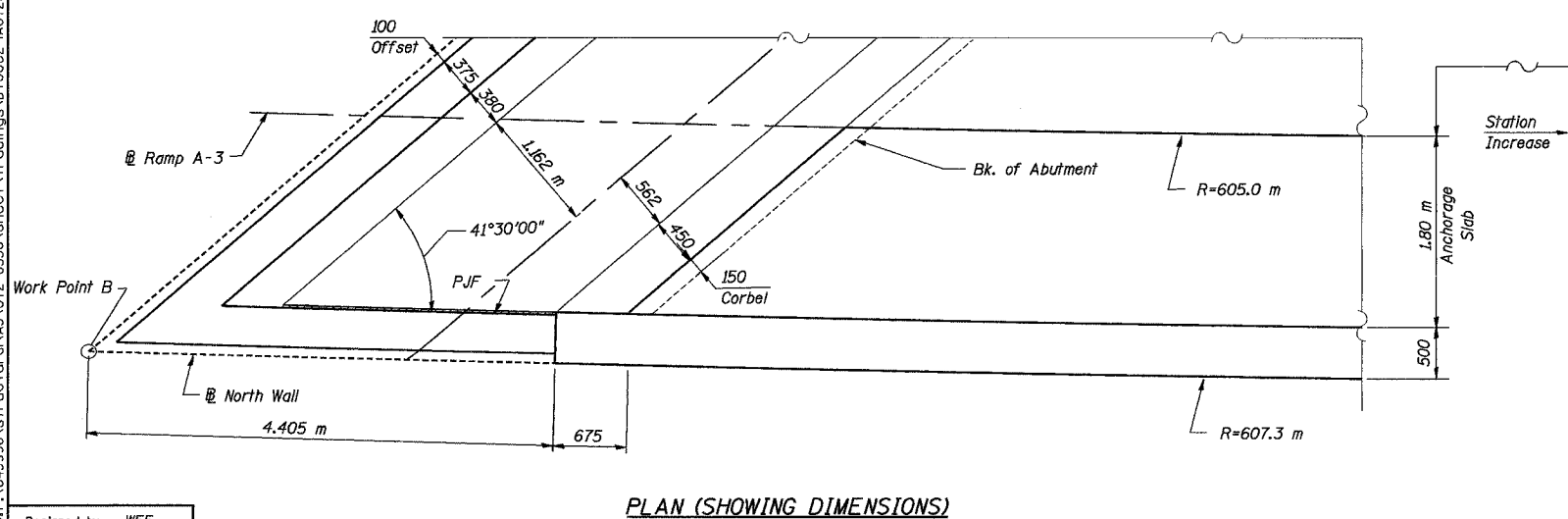
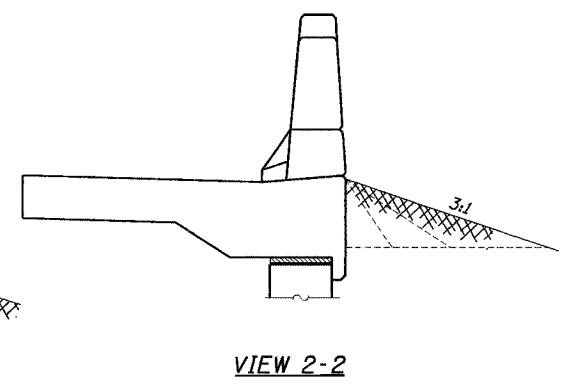
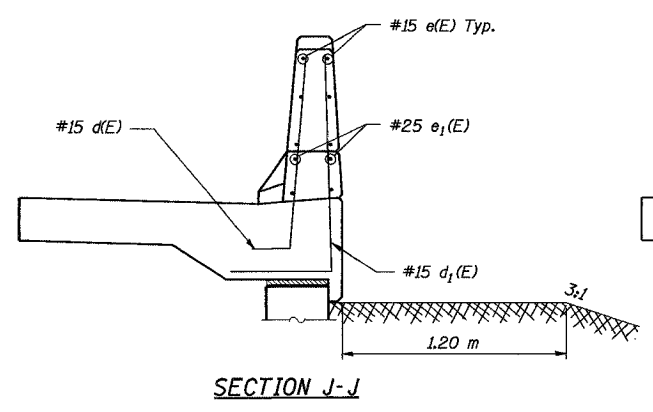
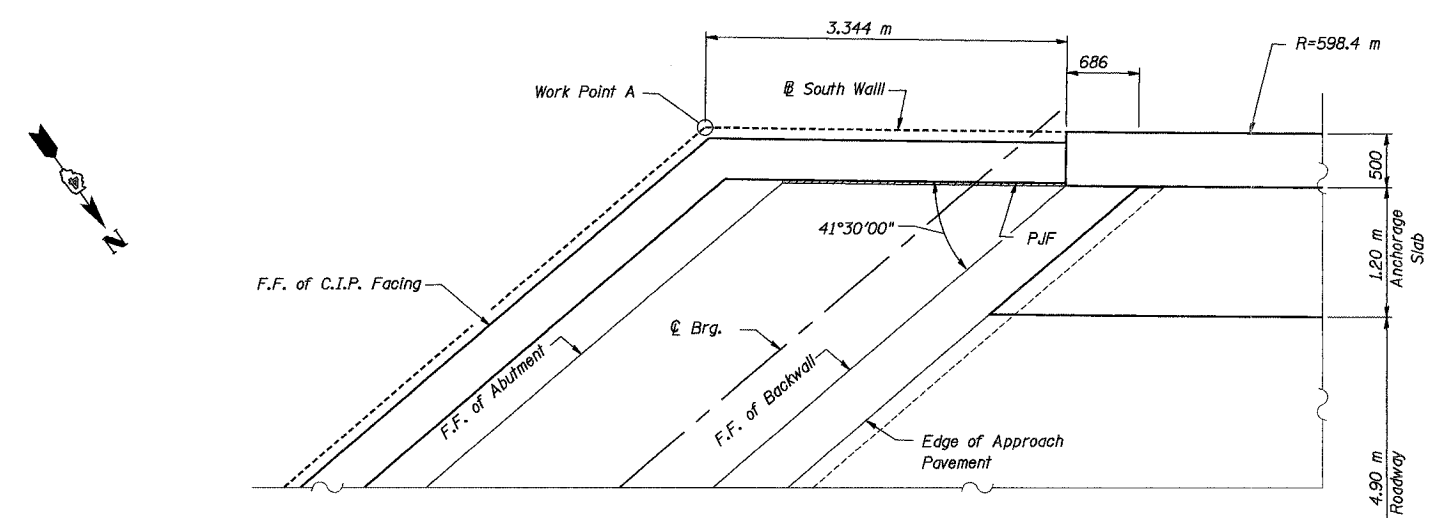
Note: All dimensions are in millimeters (mm) except as noted.

ROUTE NO.	SECT.	COUNTY	SHEET NO.	TOTAL SHEETS
F.A.I. 74	(72-7) R-3	PEORIA	585	1360
FED. ROAD DIST. NO. 7	ILLINOIS	FED. AID PROJECT		

CONTRACT NO. 68200



TYPICAL SECTION STA. 10+628.169 TO STA. 10+673.439
(Looking West)



PLAN (SHOWING DIMENSIONS)

Designed by: WEE
Checked by: AK/CTJ
Drafted by: RKS
Checked by: AK/CTJ

REVISION	DATE	DESCRIPTION
STATE OF ILLINOIS DEPARTMENT OF TRANSPORTATION		
TYPICAL SECTIONS AND DETAILS II		
MSE WALL NO. 8 - RAMP A-3 F.A.I. ROUTE 74 SECTION (72-7) R-3 PEORIA COUNTY STA. 10+426.116 TO STA. 10+673.439 (RAMP A-3) STRUCTURE NUMBER 072-8556		
PARSONS TRANSPORTATION GROUP CHICAGO, ILLINOIS		
DRAWING NO. 9	SCALE N.T.S.	DATE 6-25-04
		SHEET NO. 9

Date: 11/22/2004 Time: 11:58:59 AM File: P:\64996\Structure\A3\072-8556\sheet\Tracings\DT0002-1A0728556.dgn