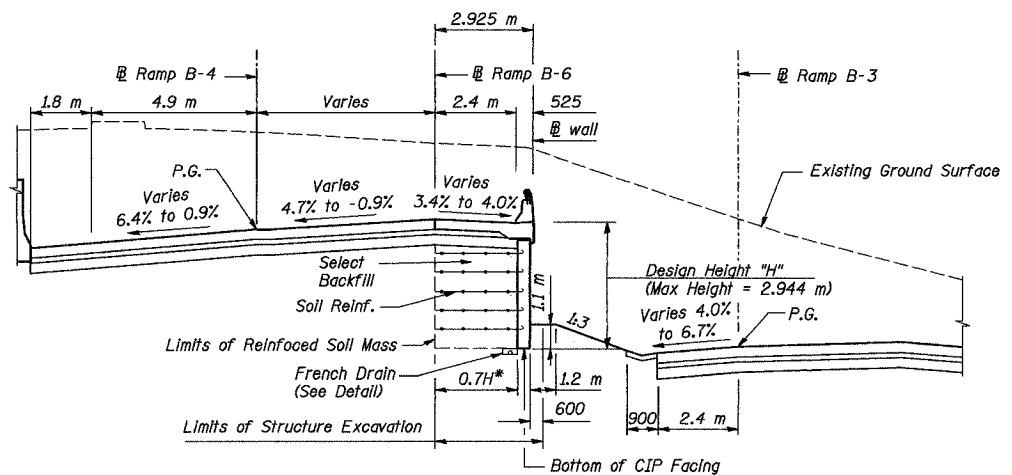
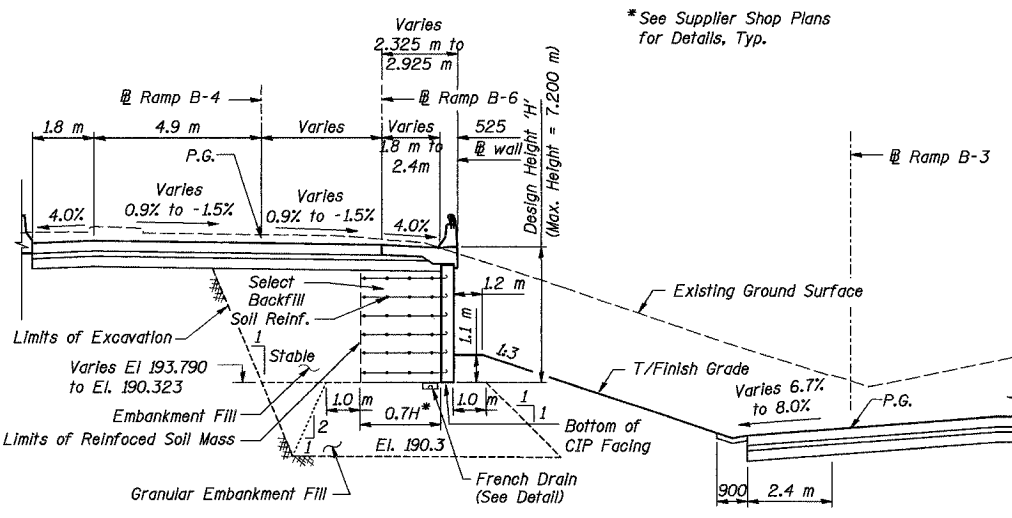


ROUTE NO.	SECT.	COUNTY	SHEET NO.	TOTAL SHEETS
F.A.I. 74	(72-7) R-3	PEORIA	618	1360
FED. ROAD DIST. NO. 7		ILLINOIS	FED. AID PROJECT	

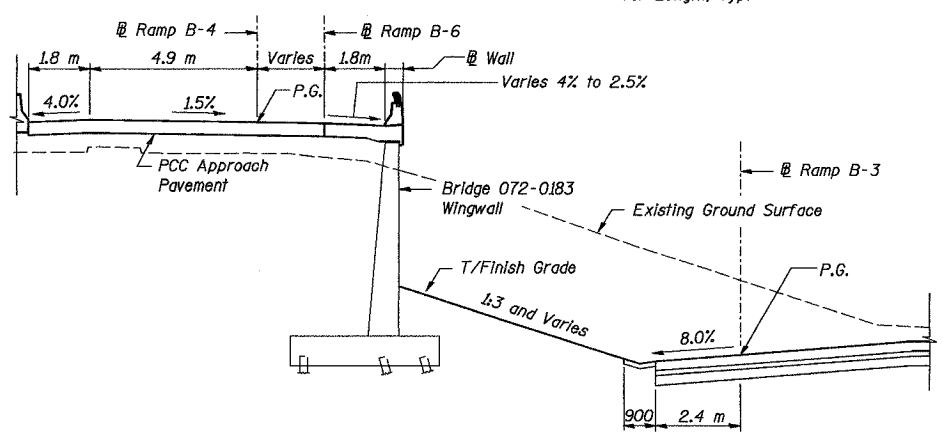
CONTRACT NO. 68200



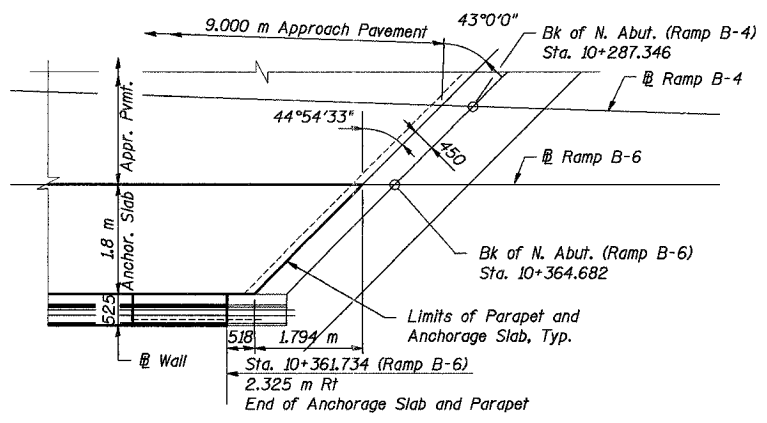
TYPICAL SECTION STA. 10+149.813 TO 10+235.000
(Looking South)



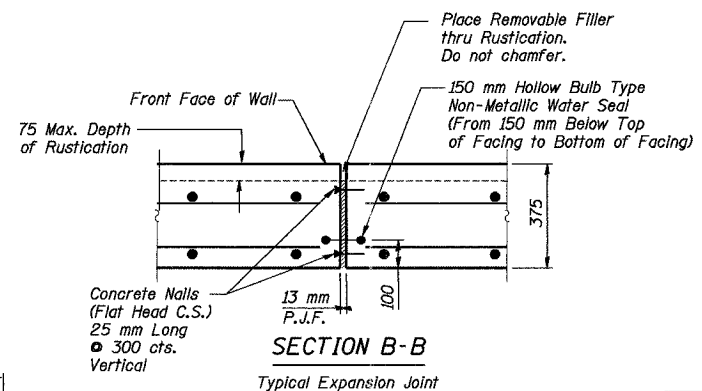
TYPICAL SECTION STA. 10+235.000 TO 10+281.377
(Looking South)



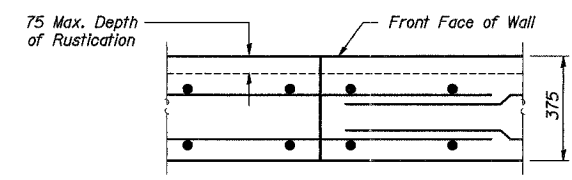
TYPICAL SECTION STA. 10+281.377 TO 10+283.229
(Looking South)



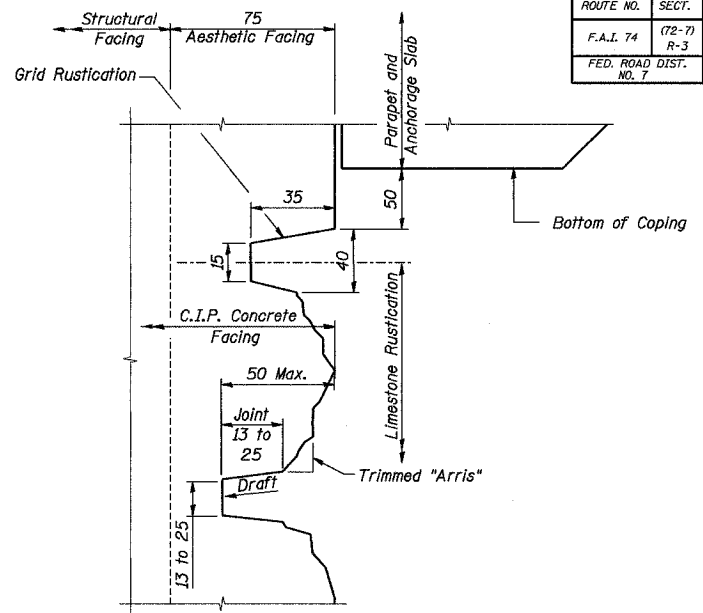
DETAIL C



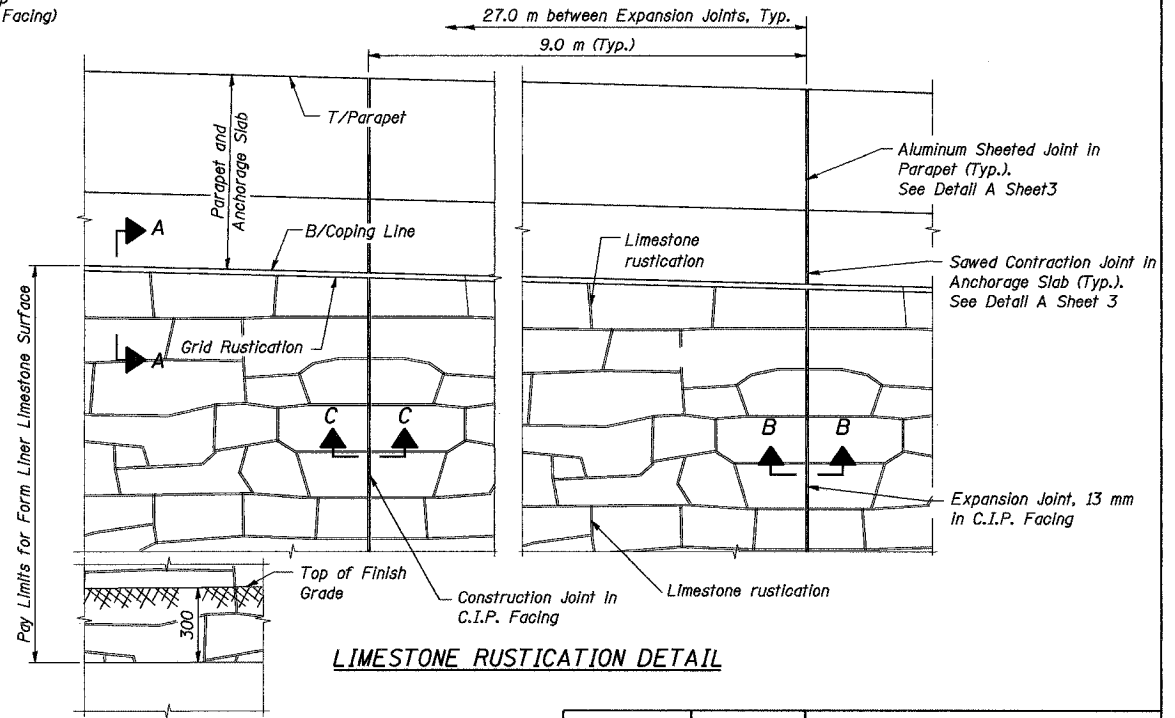
SECTION B-B
Typical Expansion Joint



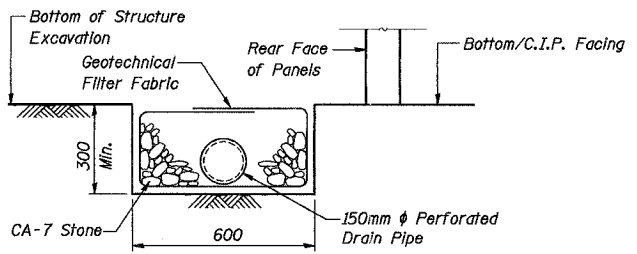
SECTION C-C
Typical Construction Joint



SECTION A-A



LIMESTONE RUSTICATION DETAIL



FRENCH DRAIN DETAIL

Notes:
All dimensions are in millimeters (mm) except as noted.
Wall Drainage System shall connect to Bridge 072-0183 wingwall drainage.
The French Drain Installation shall follow Section 601 of the Standard Specifications except that the trench will be filled with CA-7 coarse aggregate. The trench shall be lined with Geotechnical Filter Fabric for French Drains and have a 150 mm diameter perforated drain pipe located near the base of the excavation. The cost of the Geotechnical Filter Fabric and perforated drain pipe is included with the pay item French Drains.

REVISION	DATE	DESCRIPTION
STATE OF ILLINOIS DEPARTMENT OF TRANSPORTATION		
TYPICAL SECTIONS AND MISC. DETAILS		
WALL NO. 10 - RAMP B-4 F.A.I. ROUTE 74 SECTION (72-7)R-3 PEORIA COUNTY STA. 10+149.813 TO STA 10+281.377 (RAMP B-4) STRUCTURE NUMBER 072-8559		
PARSONS TRANSPORTATION GROUP CHICAGO, ILLINOIS		
DRAWING NO. 4	SCALE N.T.S.	DATE 6/25/04
		SHEET NO. 4

Time: 01:49:26 PM Date: 11/22/2004 File: P:\643996\struc\ur\072-8559-Wall\10-sheet\Tracings\T0001-A0728559.dgn

Designed by: EI/WEE
Checked by: WEE/AK
Drafted by: EI
Checked by: AK