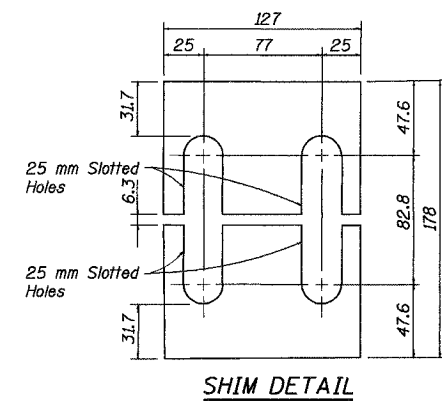
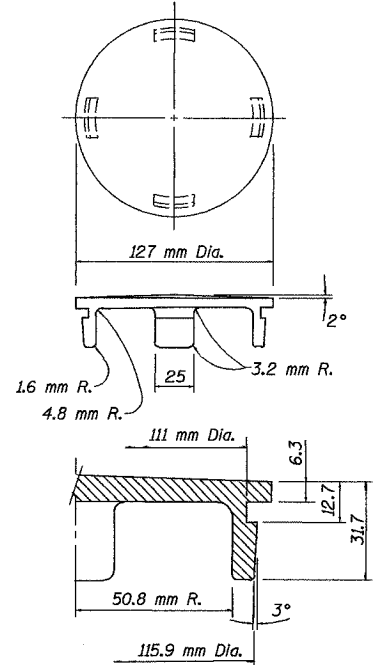
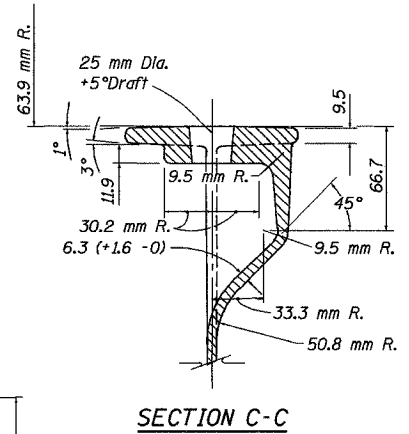
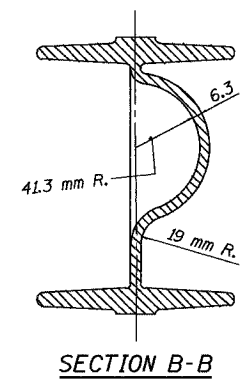
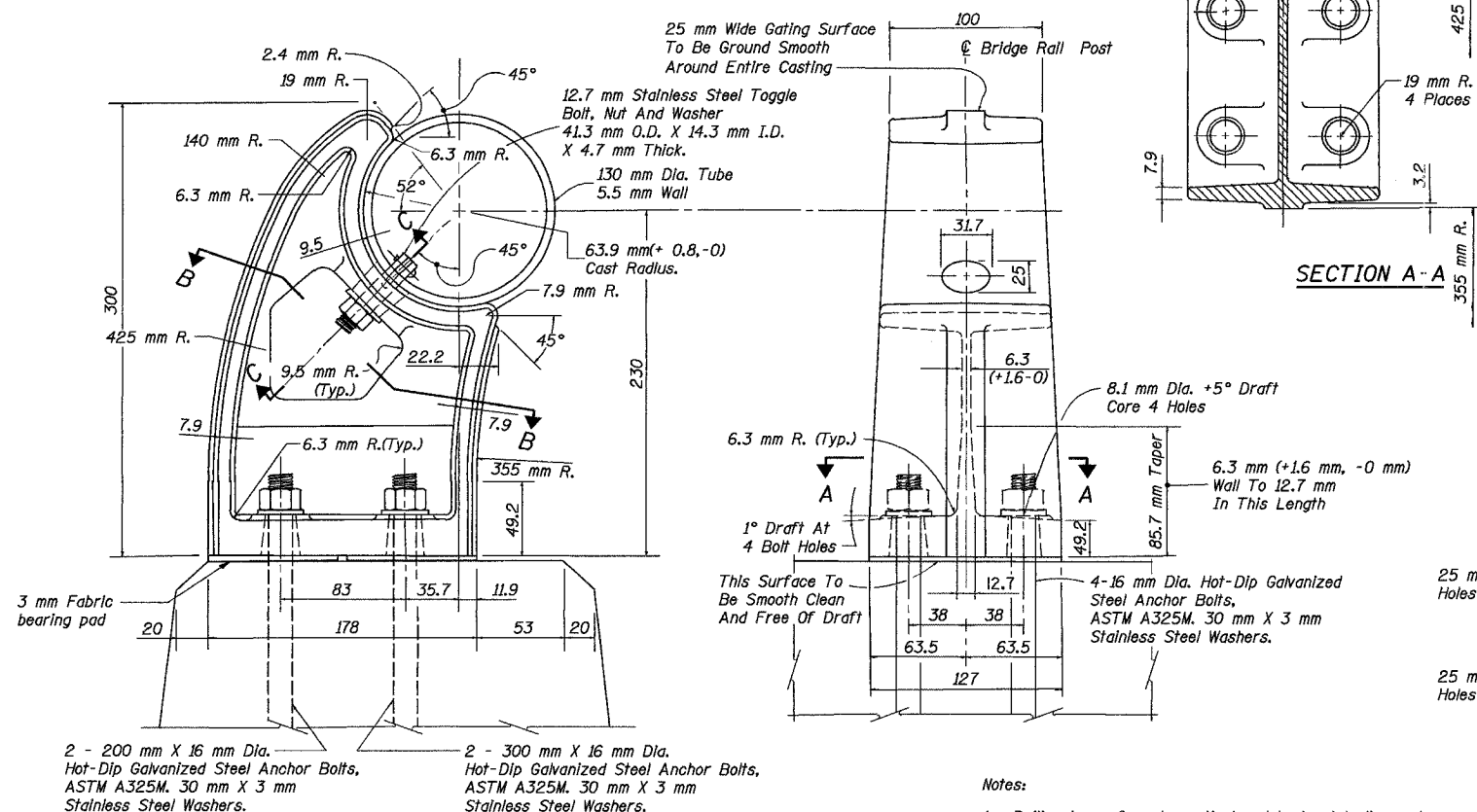
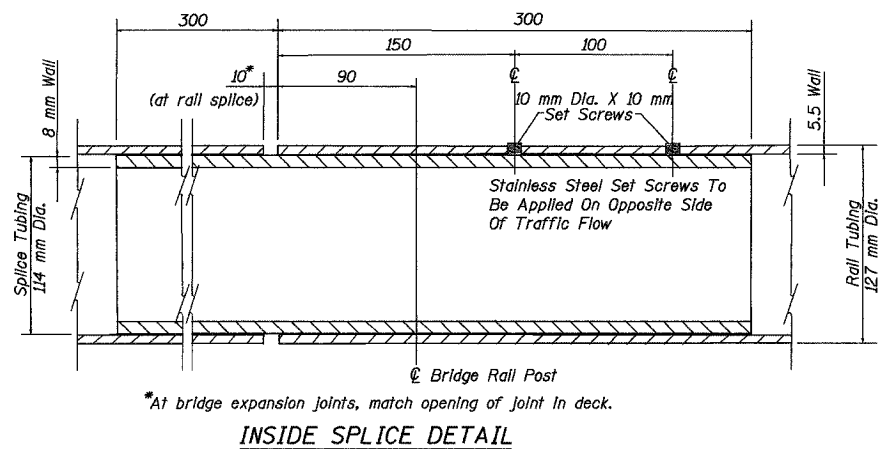
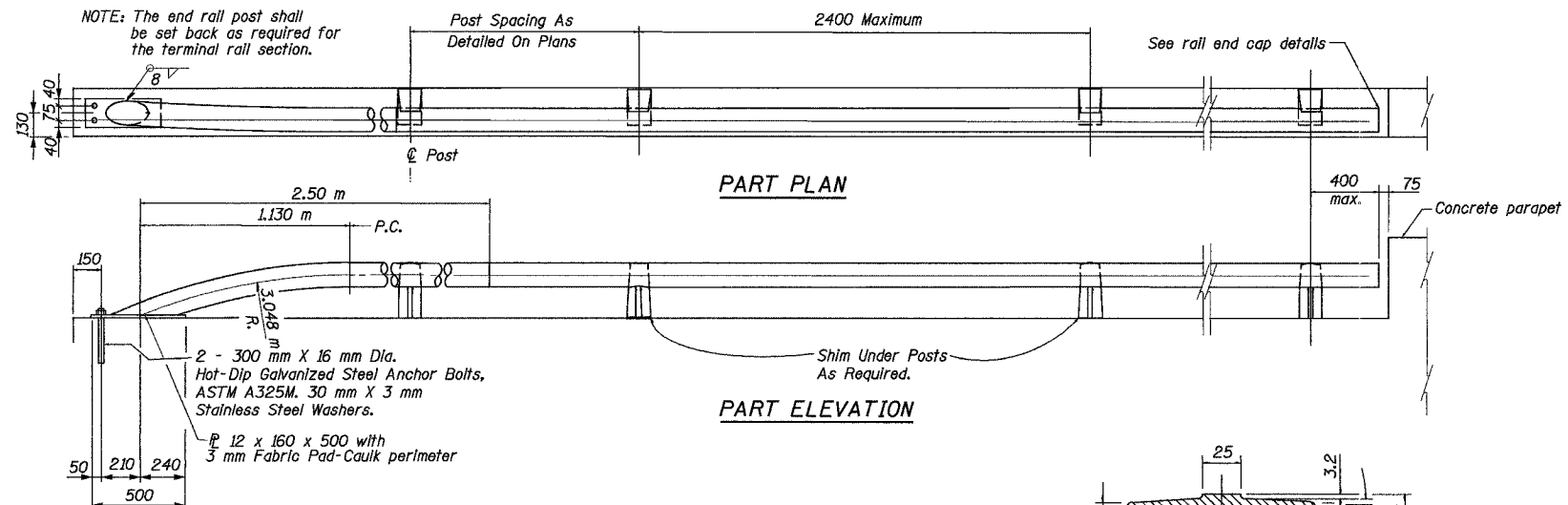


ROUTE NO.	SECT.	COUNTY	SHEET NO.	TOTAL SHEETS
F.A.I. 74	(72-7) R-3	PEORIA	619	1360
FED. ROAD DIST. NO. 7	ILLINOIS	FED. AID PROJECT		

CONTRACT NO. 68200



BILL OF MATERIAL

Item	Unit	Quantity
Aluminum Railing, Type H, Special	m	133.5

- Notes:**
- Railing to conform to vertical and horizontal alignment.
 - Joint to be placed 7500 mm center to center, max.
 - Slip joint to be placed in panels to match expansion joints in deck.
 - Design weight: 9.3 kg. per meter.
 - Unless otherwise specified all draft to be 3°.
 - All unmarked Radius to be 3 mm R.
 - After fabrication, exposed surfaces of aluminum shall be given an anodic oxide coating, dyed black, conforming to the requirements of ASTM designation: B 580, Type B, Architectural Class I.

RAILING DETAILS

REVISION	DATE	DESCRIPTION
STATE OF ILLINOIS DEPARTMENT OF TRANSPORTATION		
RAILING DETAILS - SINGLE RAIL		
WALL NO. 10 - RAMP B-4 F.A.I. ROUTE 74 SECTION (72-7)R-3 PEORIA COUNTY STA. 10+149.813 TO STA 10+281.377 (RAMP B-4) STRUCTURE NUMBER 072-8559		
PARSONS TRANSPORTATION GROUP CHICAGO, ILLINOIS		
DRAWING NO. 5	SCALE N.T.S.	DATE 6/25/04
		SHEET NO. 5

Date: 11/22/2004 Time: 03:41:41 PM File: P:\643996\Structural\072-8559-Wall\10-sheet\Tracings\RD0001-1A0728559.dgn