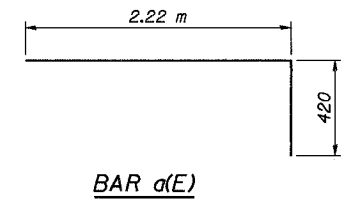
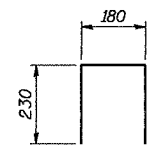


BILL OF MATERIAL

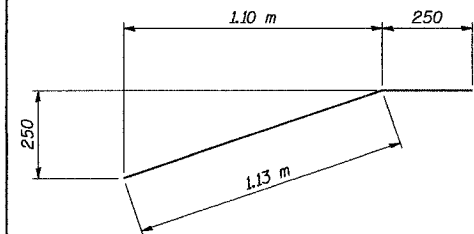
Bar	No.	Size	Length (m)	Shape
a(E)	94	#25	2.64	
a ₁ (E)	94	#20	2.26	
a ₂ (E)	5	#25	1.85	
a ₃ (E)	2	#15	3.22	
a ₄ (E)	46	#25	0.60	
b(E)	76	#15	7.28	
c(E)	89	#15	0.97	
d ₁ (E)	81	#15	1.48	
d ₂ (E)	6	#15	1.31	
d ₃ (E)	6	#15	1.60	
d ₄ (E)	20	#15	0.64	
e(E)	12	#15	8.90	
e ₁ (E)	6	#15	7.41	
e ₂ (E)	4	#25	8.90	
e ₃ (E)	2	#25	7.41	
e ₄ (E)	2	#15	1.38	
Reinforcement Bars, Epoxy Coated		kg	3320	
Concrete Structures		m ³	21.8	
Concrete Superstructure		m ³	6.3	



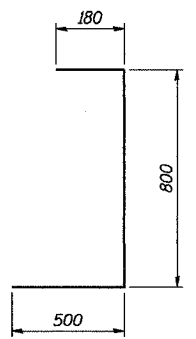
BAR a(E)



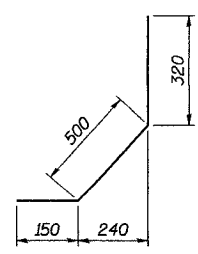
BAR d4(E)



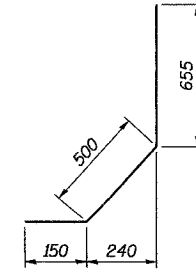
BAR e4(E)



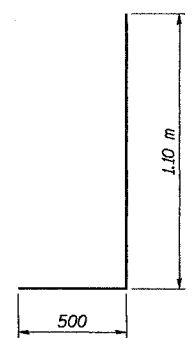
BAR d1(E)



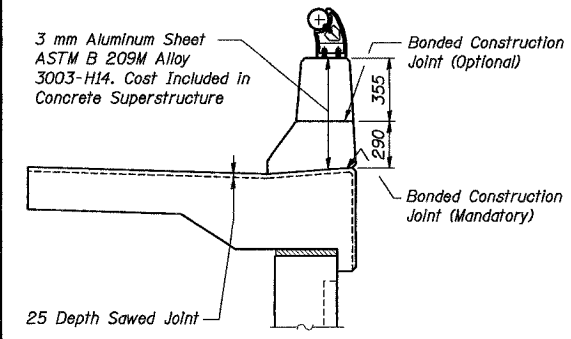
BAR d(E)



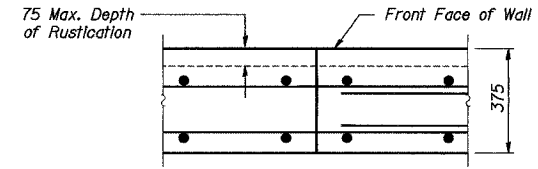
BAR d2(E)



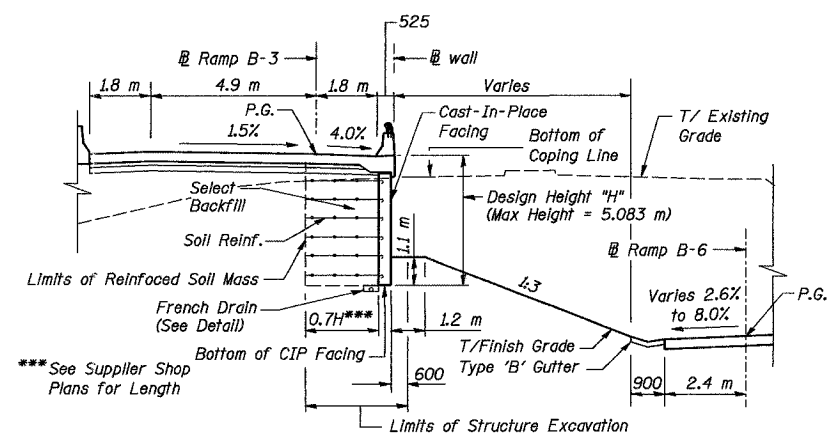
BAR d3(E)



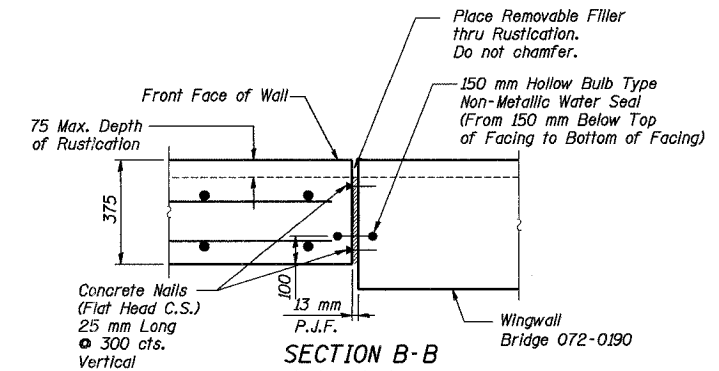
DETAIL A



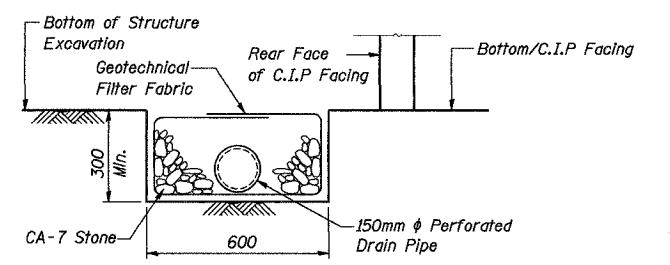
SECTION C-C
Typical Construction Joint



TYPICAL SECTION 10+549.000 to 10+574.516
(Looking North)

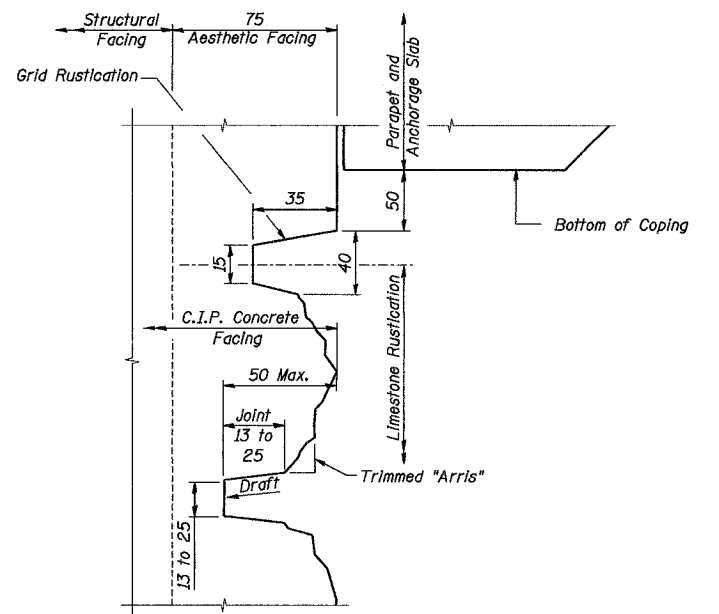


SECTION B-B
Typical Expansion Joint



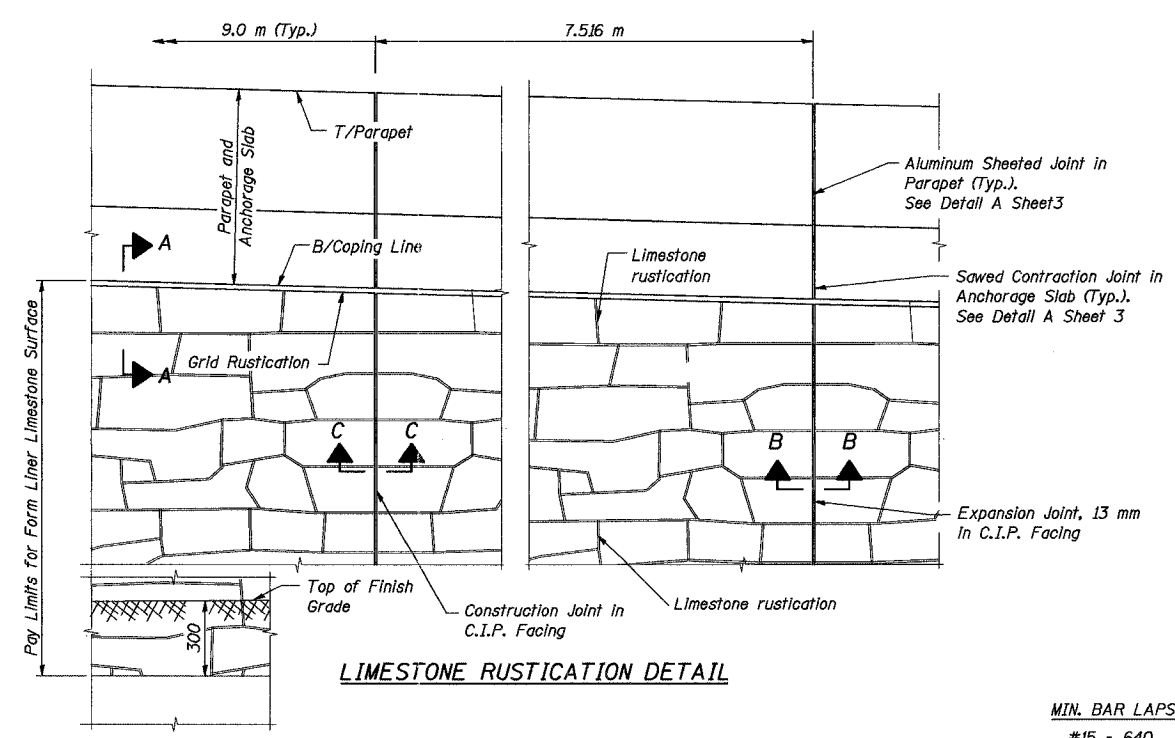
FRENCH DRAIN DETAIL

The French Drain Installation shall follow Section 601 of the Standard Specifications except that the trench will be filled with CA-7 coarse aggregate. The trench shall be lined with Geotechnical Filter Fabric for French Drains and have a 150 mm diameter drain pipe located near the base of the excavation. The cost of the Geotechnical Filter Fabric and perforated drain pipe is included with the pay item French Drains.



SECTION A-A

Notes:
All dimensions are in millimeters (mm) except as noted.
Reinforcement bars designated (E) shall be epoxy coated.



LIMESTONE RUSTICATION DETAIL

MIN. BAR LAPS
#15 - 640

Date: 11/22/2004 Time: 01:52:56 PM File: P:\643996\Structural\072-8560-Wall\Sheet\Tracings\DT0001-A0728560.dgn

Designed by: WEE
Checked by: AK
Drafted by: WEE
Checked by: AK

REVISION	DATE	DESCRIPTION
STATE OF ILLINOIS DEPARTMENT OF TRANSPORTATION		
TYPICAL SECTIONS AND MISC. DETAILS		
WALL NO. 11 - RAMP B-3 F.A.I. ROUTE 74 SECTION (72-7)R-3 PEORIA COUNTY STATION 10+549.000 TO 10+574.516 (RAMP B-3) STRUCTURE NUMBER 072-8560		
PARSONS TRANSPORTATION GROUP CHICAGO, ILLINOIS		
DRAWING NO. 3	SCALE N.T.S.	DATE 6/25/04
		SHEET NO. 3