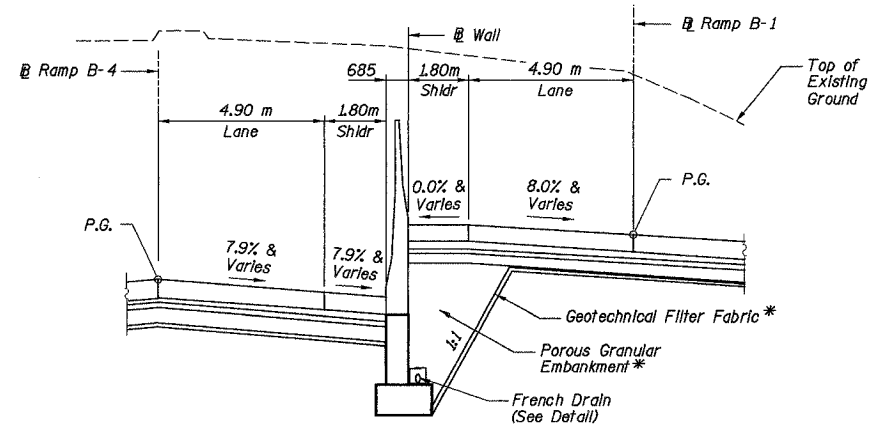


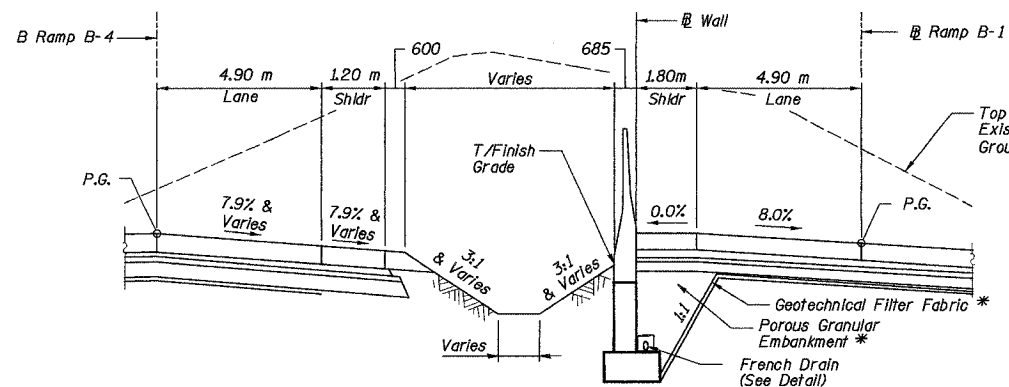
ROUTE NO.	SECT.	COUNTY	SHEET NO.	TOTAL SHEETS
F.A.I. 74	(72-7) R-3	PEORIA	638	1360
FED. ROAD DIST. NO. 7	ILLINOIS	FED. AID PROJECT		

CONTRACT NO. 88200

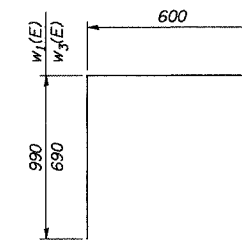


TYPICAL SECTION STA. 10+975.000 TO 11+034.132 (RAMP B-1)  
(Looking North)

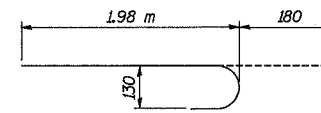
\* See Roadway Plans



TYPICAL SECTION STA. 11+034.132 TO 11+062.500 (RAMP B-1)  
(Looking North)



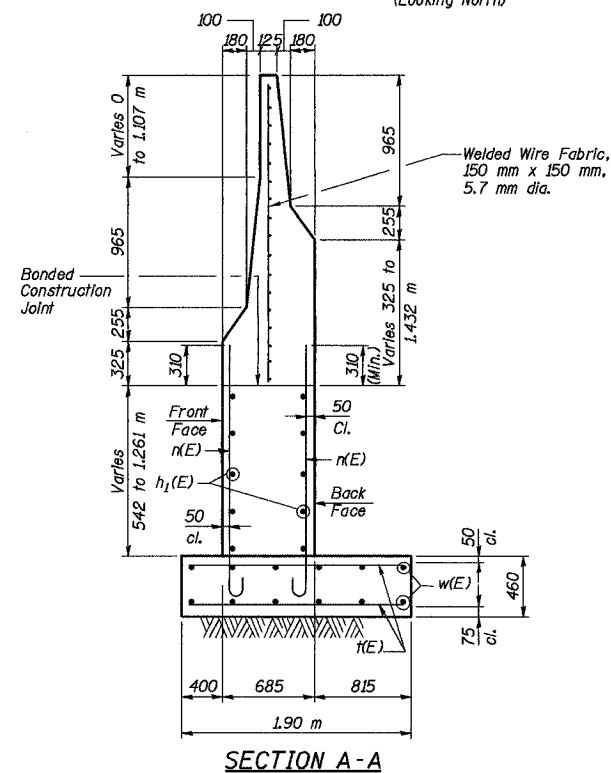
BARS w<sub>1</sub>(E), w<sub>3</sub>(E)



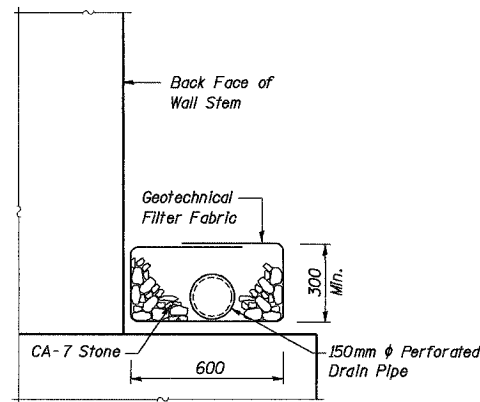
BARS n(E)

**BILL OF MATERIAL**

Bar	No.	Size	Length (m)	Shape
n(E)	68	#15	9.70	—
h <sub>1</sub> (E)	30	#15	8.90	—
h <sub>2</sub> (E)	8	#15	4.56	—
n(E)	640	#15	2.16	⌋
n(E)	640	#15	1.80	—
w(E)	42	#15	9.55	—
w <sub>1</sub> (E)	14	#15	1.59	⌋
w <sub>2</sub> (E)	84	#15	9.75	—
w <sub>3</sub> (E)	14	#15	1.29	⌋
w <sub>4</sub> (E)	28	#15	7.25	—
Reinforcement Bars, Epoxy Coated			kg	7790
Concrete Barrier, Double Face (Special)			m <sup>3</sup>	223.9

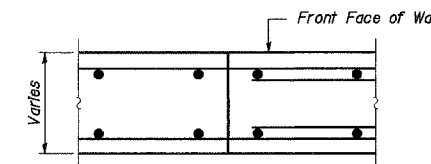


SECTION A-A



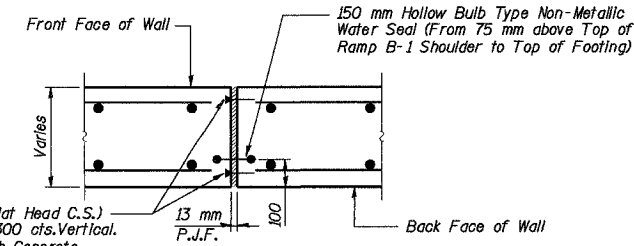
FRENCH DRAIN DETAIL

The French Drain Installation shall follow Section 601 of the Standard Specifications except that the trench will be filled with CA-7 coarse aggregate. The trench shall be lined with Geotechnical Filter Fabric for French Drains and have a 150 mm diameter perforated drain pipe located near the base of the excavation. The cost of the Geotechnical Filter Fabric and perforated drain pipe is included with the pay item French Drains.



SECTION B-B

Typical Construction Joint



SECTION C-C

Typical Expansion Joint

**Notes:**

1. Reinforcement bars designated (E) shall be epoxy coated.
2. All dimensions are in millimeters (mm) except as noted.

REVISION	DATE	DESCRIPTION
STATE OF ILLINOIS DEPARTMENT OF TRANSPORTATION		
<b>BILL OF MATERIAL AND MISC. DETAILS</b>		
DIFFERENTIAL HEIGHT MEDIAN BARRIER - RAMP B-1 F.A.I. ROUTE 74 SECTION (72-7)R-3 PEORIA COUNTY STA. 10+975 TO STA 11+062.5 (RAMP B-1) STRUCTURE NUMBER 072-NA		
PARSONS TRANSPORTATION GROUP CHICAGO, ILLINOIS		
DRAWING NO. 3	SCALE N.T.S.	DATE 11/16/04
		SHEET NO. 3

Designed by: WEE  
Checked by: AK  
Drafted by: RK-S  
Checked by: CJJ/AK