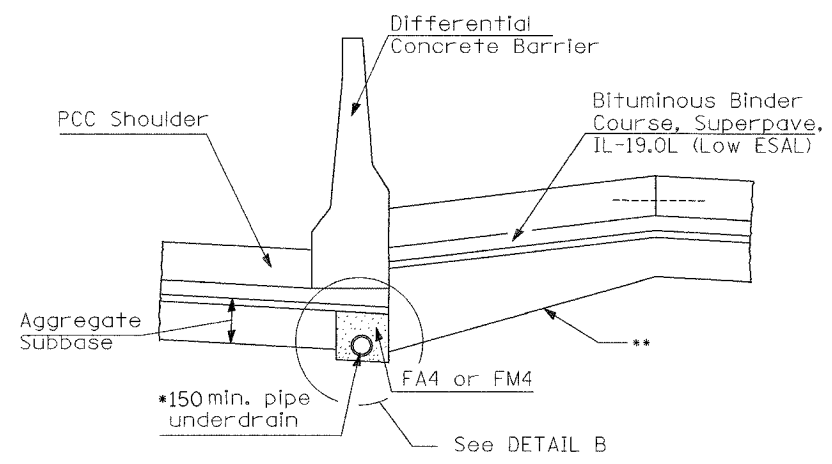
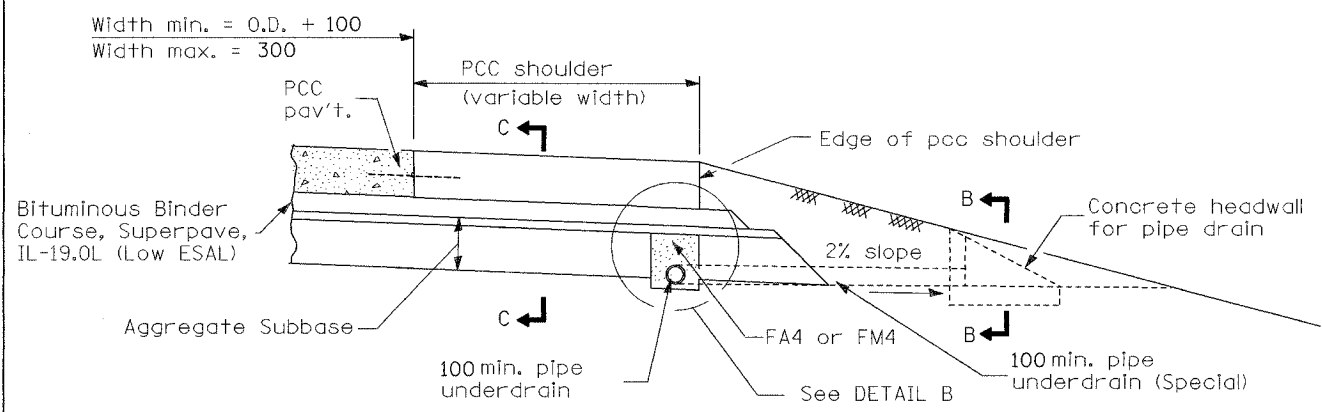


F.A. RTE.	SECTION	COUNTY	TOTAL SHEETS NO.
			1360 1859
STA.	TO STA.		
FED. ROAD DIST. NO.	ILLINOIS FED. AID PROJECT		

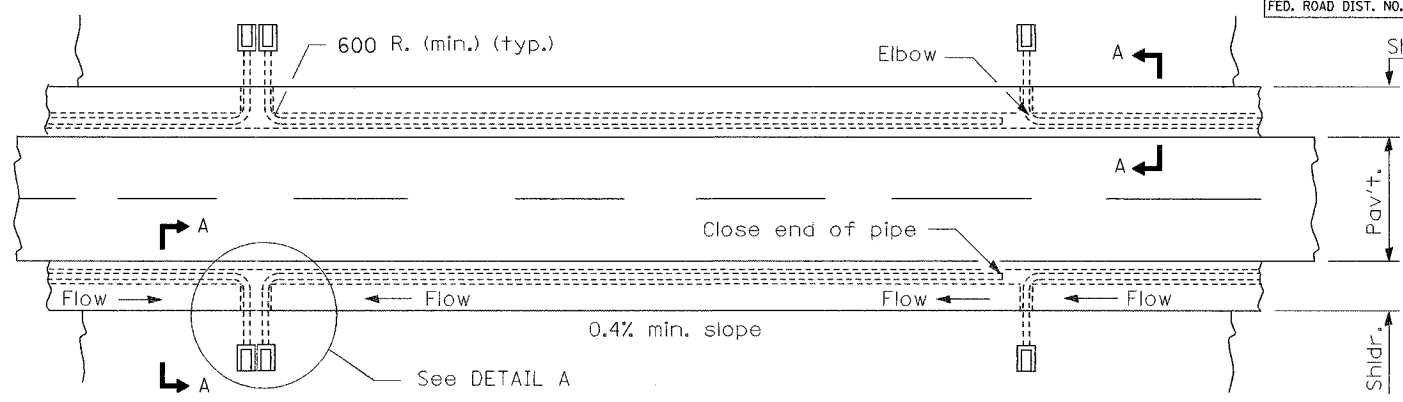


- \* Pipe Underdrain shall be placed in the first stage constructed
- \*\* Transition bottom of aggregate subbase from edge of pavement to match elevation of aggregate subbase on lower side of barrier

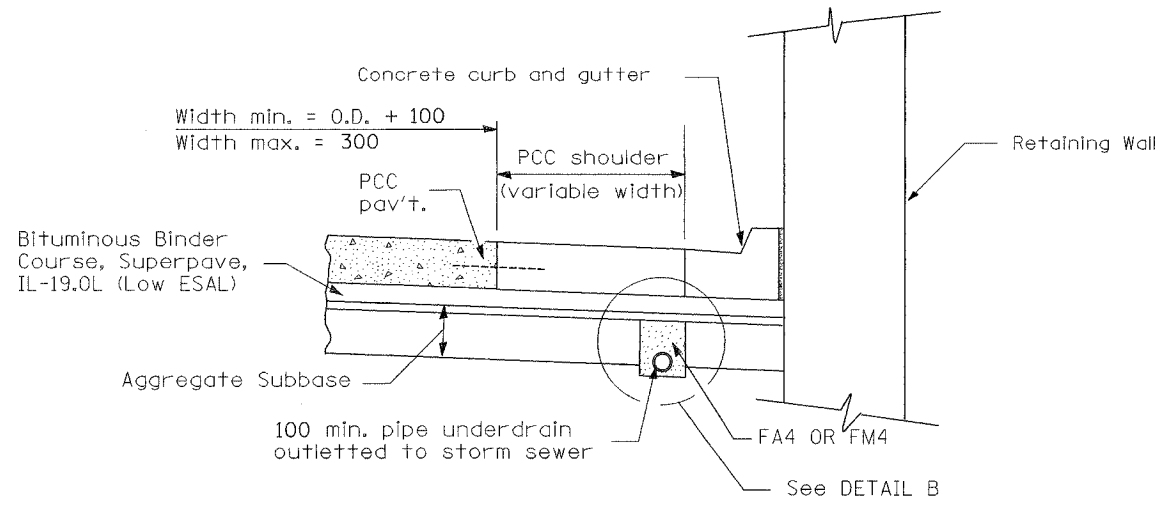
**AT LOCATION WITH DIFFERENTIAL BARRIER**



**SECTION A-A**

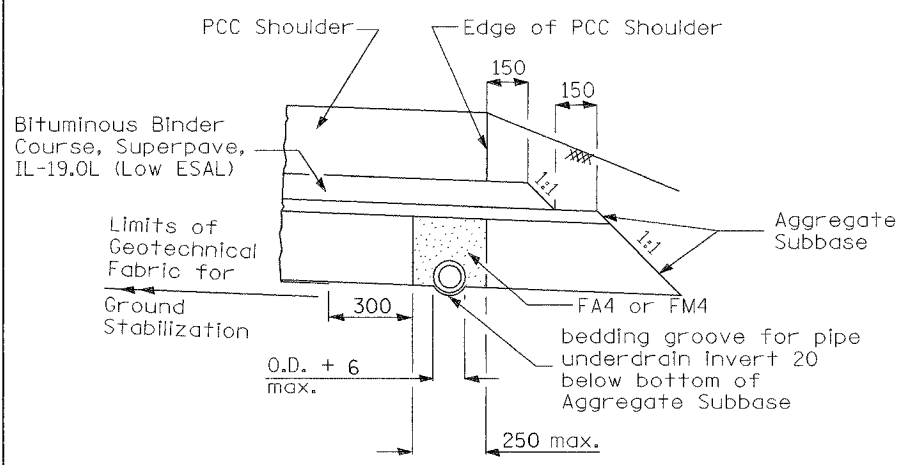


**PLAN**

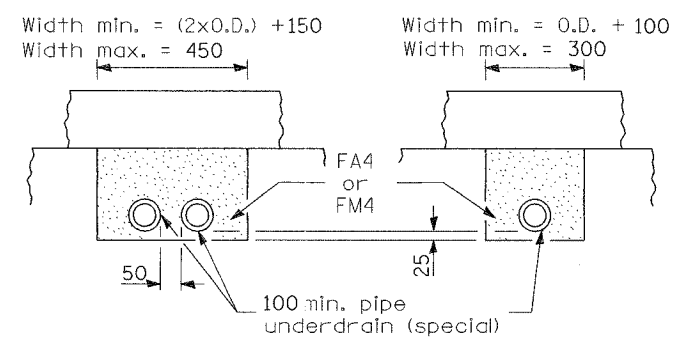


**SECTION A-A**

**AT LOCATION WITH RETAINING WALLS**

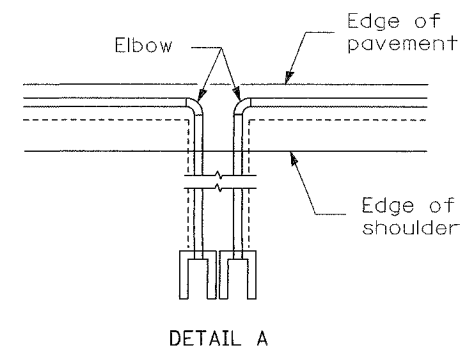


**TRENCH FOR CORRUGATED POLYETHYLENE TUBING ALTERNATE**

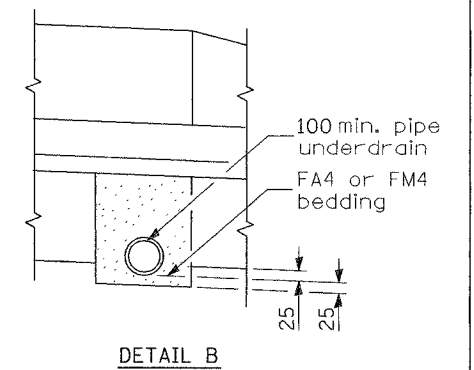


**SECTION C-C (Sag locations)**

**SECTION C-C**



**DETAIL A**



**DETAIL B**

All dimensions are in millimeters unless otherwise shown.

REVISIONS	
NAME	DATE
INC. COMMENTS	3/7/02
REM. ENGL.	3/22/02
FA4 OR FM4	4/17/02
DETAIL B	12/10/03

ILLINOIS DEPARTMENT OF TRANSPORTATION  
 I-74 PROJECT STANDARD 601001-174  
 SUB-SURFACE DRAINS  
 DRAWN BY  
 CHECKED BY  
 DATE 09/21/01