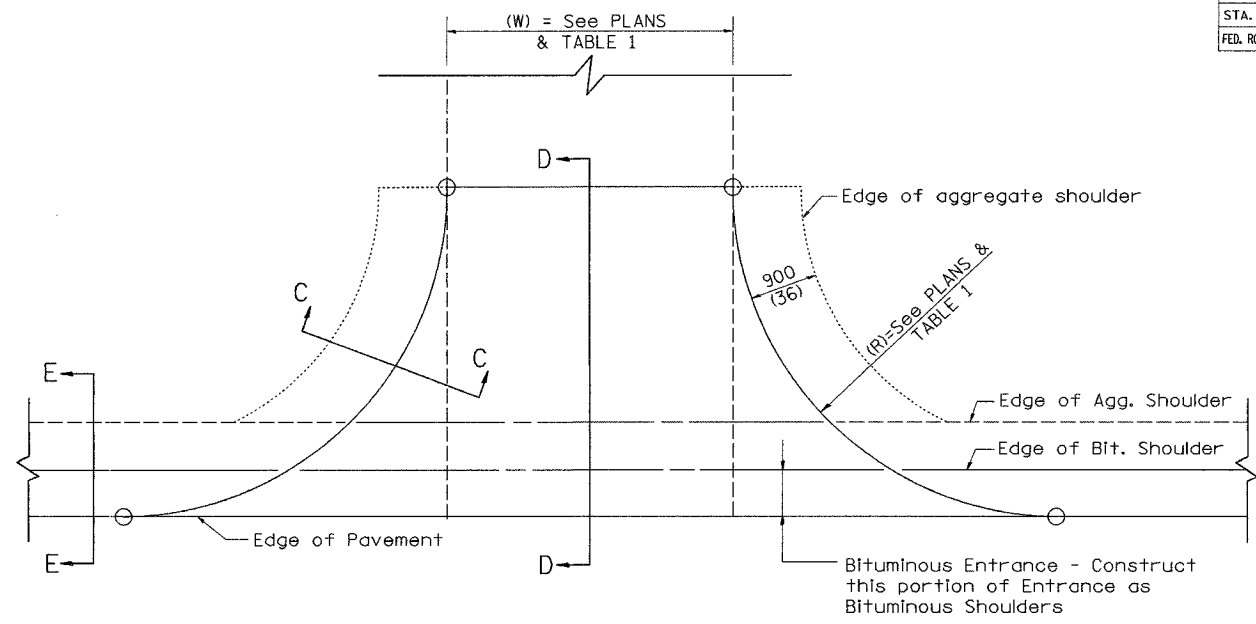
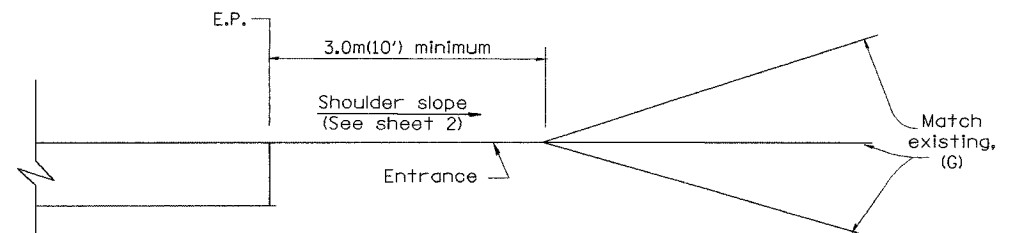


PLAN
AGGREGATE ENTRANCE



PLAN
PCC OR BITUMINOUS ENTRANCE



DETAIL A
ENTRANCE PROFILE CONTROLS

TABLE 1									
RURAL ENTRANCE DESIGN									
ELEMENT	NON-COMMERCIAL		NON-COMMERCIAL W/ LARGE FARM EQUIPMENT		COMMERCIAL				
					1-WAY OPERATION		2-WAY OPERATION		
WIDTH (W)	3.6m(12') MIN.	7.2m(24') MAX.	6.1m(20') MIN.	9.0m(30') MAX.	4.3m(14') MIN.	7.2m(24') MAX.	7.2m(24') MIN.	10.7m(35') MAX.	
RADIUS (R)	3.0m(10') MIN.	12.0m(40') MAX.	3.0m(10') MIN.	12.0m(40') MAX.	6.1m(20') MIN.	15.0m(50') MAX.	6.1m(20') MIN.	15.0m(50') MAX.	
MAX. GRADE (G)	12%		12%		10%				

GENERAL NOTES

- Entrances shall slope away from the pavement edge at a rate equal to the shoulder slope for a minimum distance of 3.0m(10'). See DETAIL 'A'.
- The total shoulder width, 2.4m(8') minimum, shall be paved between sideroads, entrances and/or mailbox turnouts, at locations where the distance between radius or taper control points is less than 15.0m(50'). See DETAIL 'B'.
- The width of bituminous stub for field entrances shall be equal to the bituminous shoulder width unless otherwise shown.

All slopes ratios are expressed as units of vertical displacement to units of horizontal displacement (V:H).
All dimensions are in millimeters (Inches) unless otherwise noted.

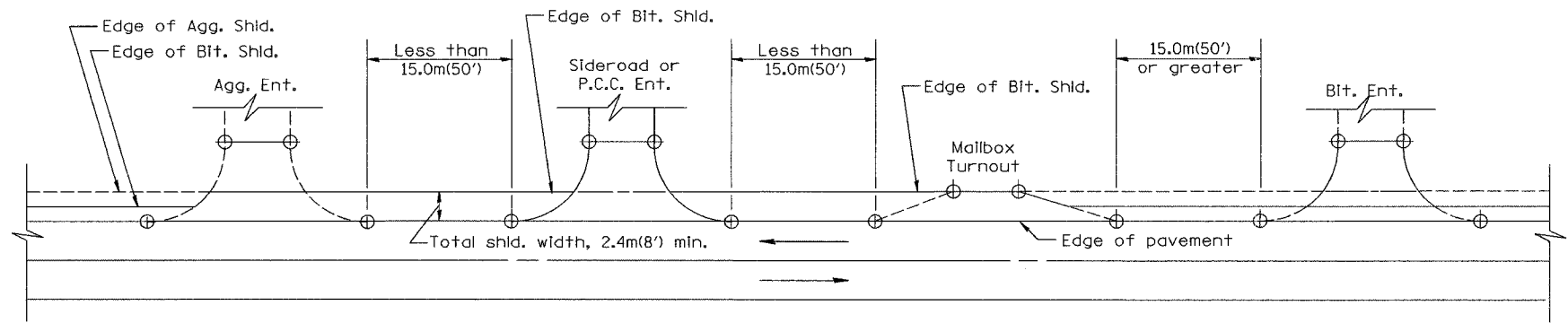
ILLINOIS DEPARTMENT OF TRANSPORTATION
DISTRICT CADD STANDARD

RURAL ENTRANCES FOR
"3R" PROJECTS

SHEET 1 OF 2

CADD STD NO. 406301-D4
SCALE: NOT DRAWN TO SCALE
DRAWN BY: CADD
CHECKED BY: T. PICKERING

DATE	REVISIONS	BY
1-1-97	RENUM. C-103.06, NEW REVISION BOX	T.P.
7-1-97	REVISE DESIGNER NOTES	J.A.



DETAIL B
SHOULDER TREATMENT FOR CLOSELY SPACED SIDEROADS, ENTRANCES, AND/OR MAILBOX TURNOUTS (SEE GENERAL NOTE 2, SHEET 1)

\$\$\$DATE\$\$\$

DGN-ONLY