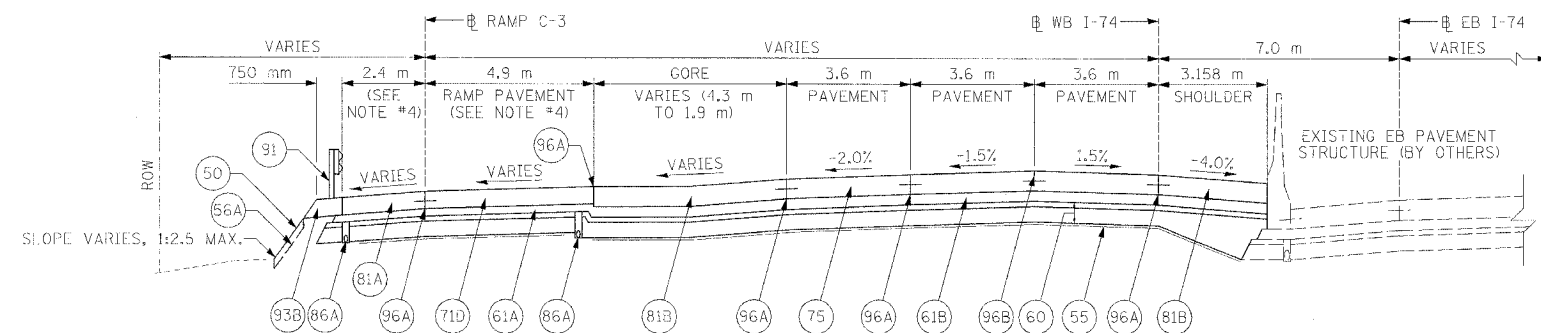
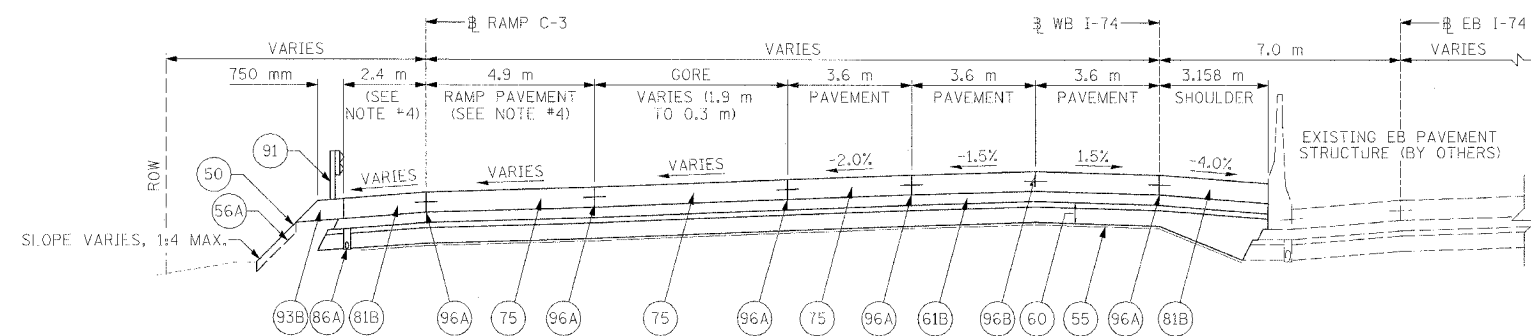


F.A.I. RTE.	SECTION	COUNTY	TOTAL SHEETS	SHEET NO.
74	(72-7)R-3	PEORIA	136	894
STA. 145+940.005		TO STA. 146+023.000		
FED. ROAD DIST. NO.	ILLINOIS	FED. AID PROJECT		



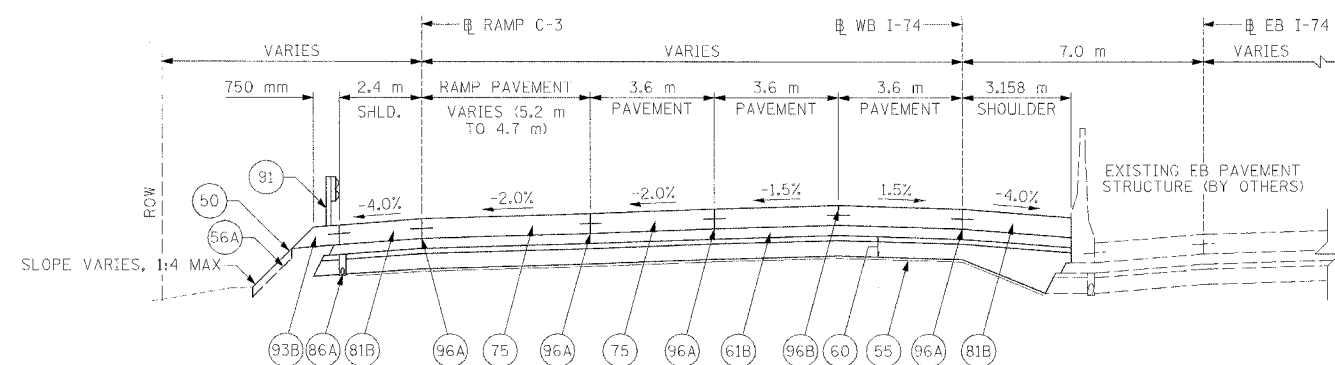
**PROPOSED TYPICAL SECTION #16**

WB STA. 145+940.005 TO STA. 145+982.776 (NORMAL CROWN)



**PROPOSED TYPICAL SECTION #17**

WB STA. 145+982.776 TO STA. 146+012.776 (NORMAL CROWN)



**PROPOSED TYPICAL SECTION #18**

WB STA. 146+012.776 TO STA. 146+023.000 (NORMAL CROWN)

**NOTES:**

1. MEDIAN PIPE UNDERDRAINS TO BE DRAINED TO MEDIAN STORM SYSTEM.
2. OFFSET PIPE UNDERDRAINS TO AVOID CONFLICTS WITH BRIDGE, LIGHTING FOUNDATION, AND DRAINAGE STRUCTURE ELEMENTS.
3. SEE SUPERELEVATION TRANSITION DETAILS FOR ADDITIONAL CROSS SLOPE INFORMATION.
4. SEE RAMP C-3 TYPICAL SECTIONS FOR GORE, RAMP PAVEMENT, SHOULDER DIMENSIONS, AND CROSS SLOPES.
5. QUANTITIES FOR AGG. SUBBASE, 300 mm MIN. WHERE SHOWN TO VARY TIEING INTO EXISTING AGG. SUBBASE ARE INCLUDED IN THE QUANTITY CALCULATIONS.

**LEGEND**

- (50) PROPOSED GROUND LINE
- (55) PR GEOTECHNICAL FABRIC FOR GROUND STABILIZATION
- (56A) PR FURNISH AND PLACE TOP SOIL 100 mm
- (60) PR AGGREGATE SUBBASE, 300 mm MIN.
- (61A) PR BITUMINOUS CONCRETE BINDER COURSE, SUPERPAVE, IL-19.0L (LOW ESAL), 100 mm
- (61B) PR BITUMINOUS CONCRETE BINDER COURSE, SUPERPAVE, IL-19.0L (LOW ESAL), 150 mm
- (71D) PR PORTLAND CEMENT CONCRETE PAVEMENT 250 mm (JOINTED)
- (75) PR CONTINUOUSLY REINFORCED PORTLAND CEMENT CONCRETE PAVEMENT 290 mm
- (81A) PR PORTLAND CEMENT CONCRETE SHOULDERS 250 mm
- (81B) PR PORTLAND CEMENT CONCRETE SHOULDERS 290 mm
- (86A) PR PIPE UNDERDRAINS 100 mm
- (91) PR STEEL PLATE BEAM GUARD RAIL
- (93B) PR GUARDRAIL AGGREGATE EROSION CONTROL
- (96A) PR LONGITUDINAL CONSTRUCTION JOINT
- (96B) PR SAWED LONGITUDINAL JOINT

STRUCTURAL DESIGN TRAFFIC:	Year 2025
PV = 90%	SU = 5% MU = 5%
ROAD/STREET CLASSIFICATION:	CLASS I
PERCENT OF STRUCTURAL DESIGN TRAFFIC IN DESIGN LANE:	
P = 32%	S = 45% M = 45%
TRAFFIC FACTOR:	ACTUAL TF = 38.28
	MINIMUM TF = 7.54
SUBGRADE SUPPORT RATING:	POOR

REVISIONS		ILLINOIS DEPARTMENT OF TRANSPORTATION
NAME	DATE	
		TYPICAL SECTIONS FAI ROUTE 74 (I-74) WB STA. 145+940.005 TO 146+023.000  DRAWN BY CAM CHECKED BY LSA  DATE 11/23/04



11/23/04 11:58 AM