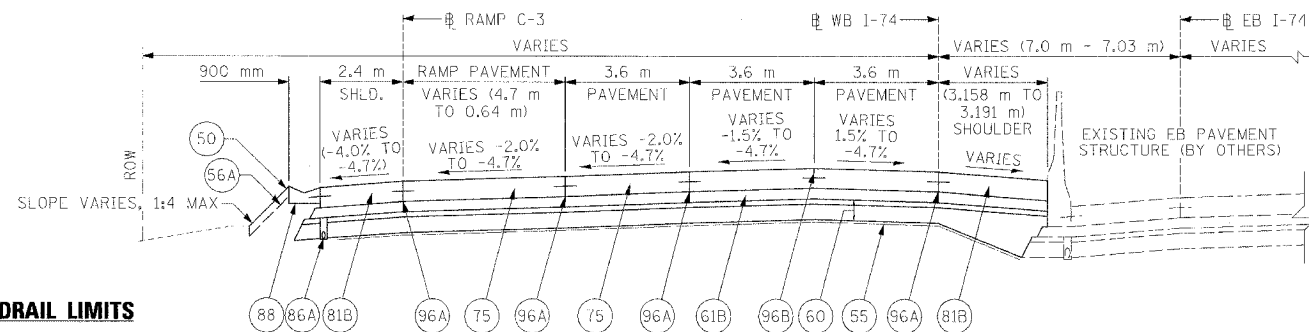


F.A.I. RTE.	SECTION	COUNTY	TOTAL SHEETS	SHEET NO.
74	(72-7)R-3	PEORIA	1360	875
STA. 146+023.000		TO STA. 146+117.000		
FED. ROAD DIST. NO.	ILLINOIS	FED. AID PROJECT		



GUARDRAIL LIMITS

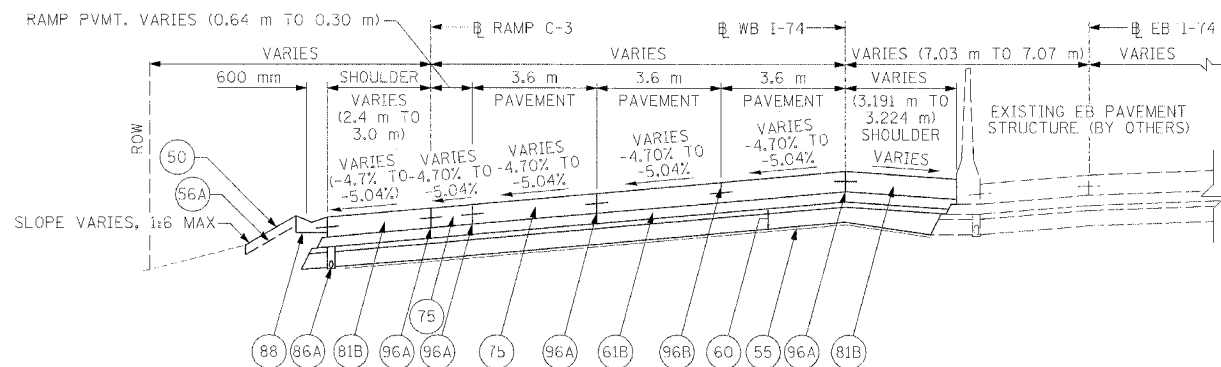
WB STA. 146+023.000 TO STA. 146+041.729 =
RAMP C-3 STA. 10+061.272 TO STA. 10+080.013

CONC. GUTTER, TY. A (MOD.) LIMITS

WB STA. 146+050.000 TO STA. 146+096.658

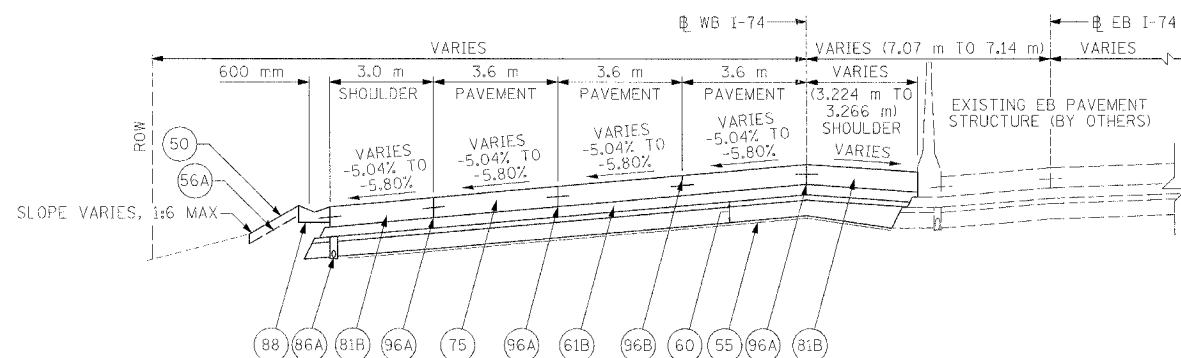
PROPOSED TYPICAL SECTION #19

WB STA. 146+023.000 TO STA. 146+096.658 (TRANSITION IN, RT. SHLD. VARIES -4.0% TO -3.3%)



PROPOSED TYPICAL SECTION #20

WB STA. 146+096.658 TO STA. 146+103.000 (TRANSITION IN, RT. SHLD. VARIES -3.30% TO -2.96%)



PROPOSED TYPICAL SECTION #21

WB STA. 146+103.000 TO STA. 146+117.000 (TRANSITION IN, RT. SHLD. VARIES -2.96% TO -2.20%)

NOTES:

1. MEDIAN PIPE UNDERDRAINS TO BE DRAINED TO MEDIAN STORM SYSTEM.
2. OFFSET PIPE UNDERDRAINS TO AVOID CONFLICTS WITH BRIDGE, LIGHTING FOUNDATION, AND DRAINAGE STRUCTURE ELEMENTS.
3. SEE SUPERELEVATION TRANSITION DETAILS FOR ADDITIONAL CROSS SLOPE INFORMATION.
4. QUANTITIES FOR AGG. SUBBASE, 300 mm MIN. WHERE SHOWN TO VARY TIEING INTO EXISTING AGG. SUBBASE ARE INCLUDED IN THE QUANTITY CALCULATIONS.

LEGEND

- (50) PROPOSED GROUND LINE
- (55) PR GEOTECHNICAL FABRIC FOR GROUND STABILIZATION
- (56A) PR FURNISH AND PLACE TOP SOIL 100 mm
- (60) PR AGGREGATE SUBBASE, 300 mm MIN.
- (61B) PR BITUMINOUS CONCRETE BINDER COURSE, SUPERPAVE, IL-19.0L (LOW ESAL), 150 mm
- (75) PR CONTINUOUSLY REINFORCED PORTLAND CEMENT CONCRETE PAVEMENT 290 mm
- (81B) PR PORTLAND CEMENT CONCRETE SHOULDERS 290 mm
- (86A) PR PIPE UNDERDRAINS 100 mm
- (88) PR CONCRETE GUTTER, TYPE A (MODIFIED)
- (96A) PR LONGITUDINAL CONSTRUCTION JOINT
- (96B) PR SAWED LONGITUDINAL JOINT

STRUCTURAL DESIGN TRAFFIC:	Year 2025
PV = 90%	SU = 5% MU = 5%
ROAD/STREET CLASSIFICATION:	CLASS I
PERCENT OF STRUCTURAL DESIGN TRAFFIC IN DESIGN LANE:	P = 32% S = 45% M = 45%
TRAFFIC FACTOR:	ACTUAL TF = 38.28
	MINIMUM TF = 7.54
SUBGRADE SUPPORT RATING:	POOR

REVISIONS		ILLINOIS DEPARTMENT OF TRANSPORTATION
NAME	DATE	
		TYPICAL SECTIONS FAI ROUTE 74 (I-74) WB STA. 146+023.000 TO 146+117.000 DRAWN BY CAM CHECKED BY LSA



CLARK ENGINEERS, INC.

DATE 11/23/04

I:\Projects\146+023-117\146+023-117-08-04-15.dwg