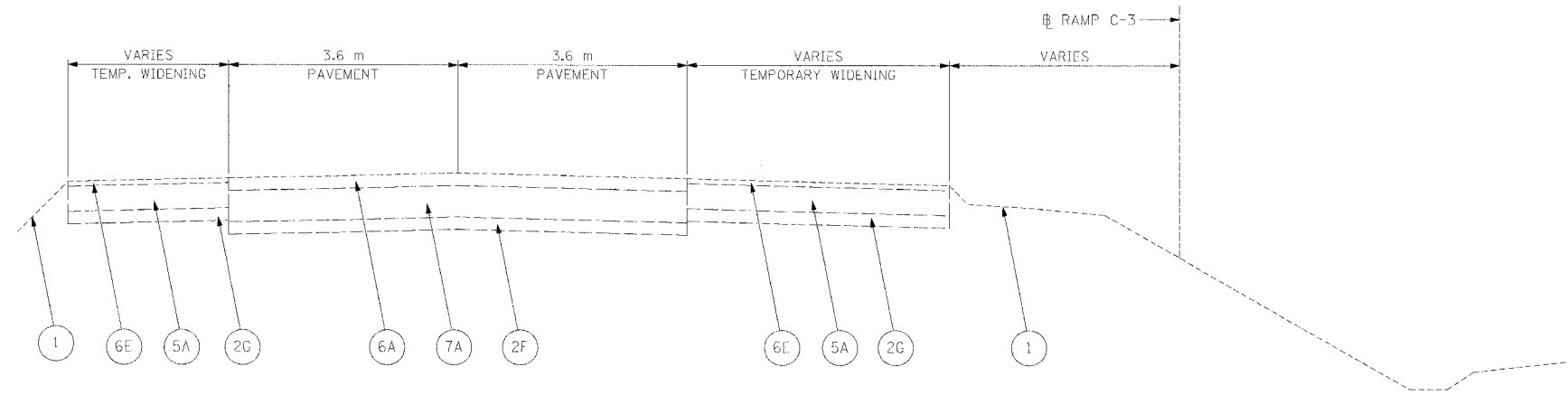
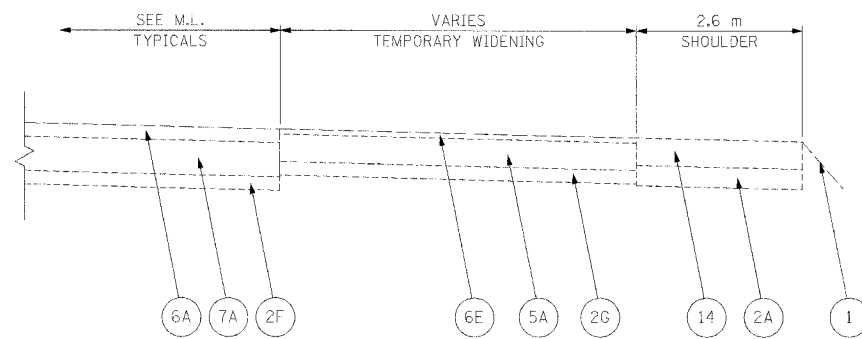


F.A.I. RTE.	SECTION	COUNTY	TOTAL SHEETS	SHEET NO.
74	72-7R-3	PEORIA	1360	377
STA. 10+199.953		TO STA. 10+327.293		
FED. ROAD DIST. NO.		ILLINOIS FED. AID PROJECT		



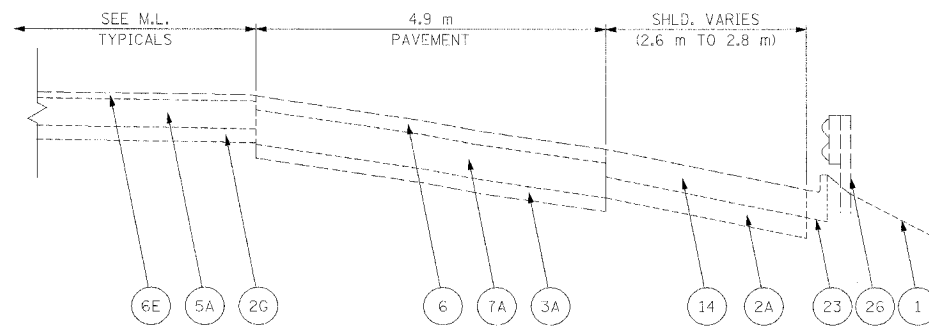
**EXISTING RAMP TYPICAL SECTION C3-1**

RAMP C-3 STA. 10+199.953 TO 10+271.078



**EXISTING RAMP TYPICAL SECTION C3-2**

RAMP C-3 STA. 10+271.078 TO 10+282.136



**EXISTING RAMP TYPICAL SECTION C3-3**

RAMP C-3 STA. 10+282.136 TO 10+327.293

**GUARDRAIL LIMITS**

RAMP C-3 RT. STA. 10+292.555 TO 10+327.293

**LEGEND**

- 1 EXISTING GROUND LINE
- 2A EX SUB-BASE GRANULAR MATERIAL 150 mm
- 2F EX SUB-BASE GRANULAR MATERIAL
- 2G EX AGGREGATE BASE COURSE
- 3A EX STABILIZED SUB-BASE 100 mm
- 5A EX BIT. BASE COURSE 200 mm
- 6 EX BITUMINOUS RESURFACING
- 6A EX BITUMINOUS RESURFACING 75 mm
- 6E EX BIT. CONCRETE SURFACE COURSE 38 mm
- 7A EX PCC PAVEMENT 250 mm
- 14 EX PCC SHOULDERS
- 23 EX COMB. CONCRETE CURB AND GUTTER
- 26 EX GUARDRAIL

REVISIONS	
NAME	DATE

ILLINOIS DEPARTMENT OF TRANSPORTATION

TYPICAL SECTIONS  
EXISTING RAMP C-3  
STA. 10+199.953 TO 10+327.293

DRAWN BY CAM  
CHECKED BY RDY

DATE 11/23/04

