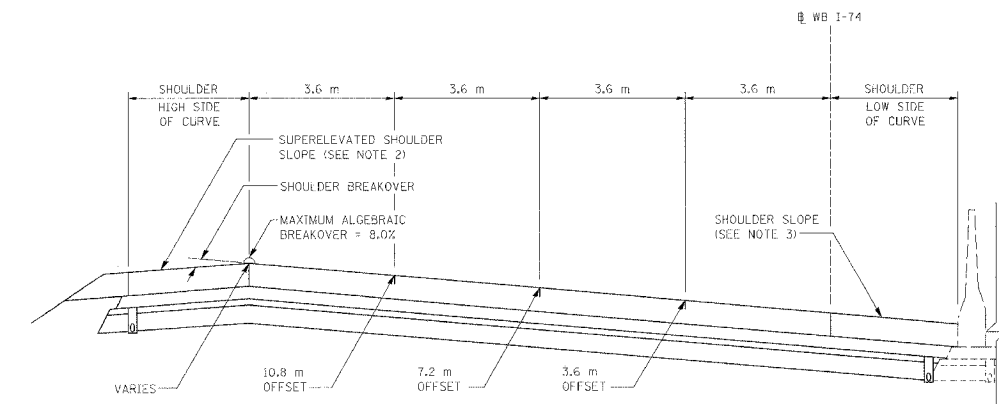


F.A.I. RTE.	SECTION	COUNTY	TOTAL SHEETS	SHEET NO.
74	(72-7)R-3	PEORIA	1360	989
STA. 144+718.000		TO STA. 146+410.000		
FED. ROAD DIST. NO.		ILLINOIS	FED. AID PROJECT	

I-74 WB STATION	ELEVATIONS				(VARIES) FLEV.	I-74 WB STATION
	0	3.6	7.2	10.8		
144+900.000	177.426	177.581	177.736	177.891	(13.5) 178.007	144+900.000
144+903.000	177.396	177.551	177.706	177.861	(13.6) 177.981	144+903.000
144+910.000	177.328	177.470	177.612	177.754	(13.7) 177.868	144+910.000
144+920.000	177.230	177.354	177.478	177.602	(13.9) 177.709	144+920.000
144+930.000	177.131	177.237	177.343	177.449	(14.1) 177.546	144+930.000
144+940.000	177.033	177.120	177.207	177.294	(14.3) 177.379	144+940.000
144+950.000	176.935	177.004	177.073	177.142	(14.5) 177.213	144+950.000
144+960.000	176.837	176.888	176.939	176.990	(14.7) 177.045	144+960.000
144+970.000	176.739	176.772	176.805	176.838	(14.9) 176.875	144+970.000
144+980.000	176.640	176.655	176.670	176.685	(15.1) 176.702	144+980.000
144+990.000	176.542	176.539	176.536	176.533	(15.3) 176.529	144+990.000
145+000.000	176.444	176.423	176.402	176.381	(15.5) 176.354	145+000.000
145+010.000	176.346	176.308	176.270	176.232	(15.7) 176.180	145+010.000
145+020.000	176.248	176.192	176.136	176.079	(15.9) 176.000	145+020.000
145+030.000	176.150	176.077	176.004	175.931	(16.1) 175.824	145+030.000
145+040.000	176.051	175.961	175.871	175.781		145+040.000
145+050.000	175.953	175.845	175.737	175.629		145+050.000
145+060.000	175.855	175.730	175.605	175.480		145+060.000
145+070.000	175.757	175.615	175.473	175.331		145+070.000
145+073.000	175.727	175.579	175.431	175.283		145+073.000
145+080.000	175.659	175.511	175.363	175.215		145+080.000
145+380.000	173.301	173.153	173.005	172.857		145+380.000
145+385.000	173.271	173.123	172.975	172.827		145+385.000
145+390.000	173.241	173.010	172.869	172.728		145+390.000
145+400.000	173.180	173.051	172.922	172.793		145+400.000
145+410.000	173.120	173.003	172.886	172.769		145+410.000
145+420.000	173.072	172.965	172.858	172.751		145+420.000
145+430.000	173.012	172.918	172.824	172.730		145+430.000
145+440.000	172.952	172.870	172.788	172.706		145+440.000
145+450.000	172.892	172.824	172.756	172.684		145+450.000
145+460.000	172.831	172.785	172.731	172.659		145+460.000
145+470.000	172.771	172.763	172.709	172.637		145+470.000
145+480.000	172.711	172.740	172.686	172.614		145+480.000
145+487.000	172.669	172.723	172.669	172.597		145+487.000
145+490.000	172.651	172.705	172.651	172.579		145+490.000
146+020.000	169.456	169.510	169.456	169.384	(15.6) 169.288	146+020.000
146+023.000	169.438	169.492	169.438	169.366	(15.4) 169.274	146+023.000
146+030.000	169.396	169.408	169.354	169.282	(15.1) 169.196	146+030.000
146+040.000	169.336	169.288	169.234	169.162	(14.5) 169.088	146+040.000
146+050.000	169.276	169.198	169.120	169.042	(14.0) 168.973	146+050.000
146+060.000	169.215	169.116	169.021	168.924	(13.4) 168.854	146+060.000
146+070.000	169.155	169.038	168.921	168.804	(12.9) 168.736	146+070.000
146+080.000	169.095	168.959	168.823	168.687	(12.3) 168.630	146+080.000
146+090.000	169.035	168.879	168.723	168.567	(11.8) 168.524	146+090.000
146+100.000	168.974	168.798	168.622	168.446	(11.3) 168.422	146+100.000
146+110.000	168.914	168.719	168.524	168.329		146+110.000
146+117.000	168.872	168.652	168.432	168.212		146+117.000
146+120.000	168.854	168.634	168.414	168.194		146+120.000



SUPERELEVATION DATA DETAIL
NOT TO SCALE

NOTES

- SEE PROPOSED ROADWAY PLANS FOR SHOULDER WIDTHS AND LOCATIONS AND RAMP GORE DETAILS FOR APPLICABLE ELEVATION AND LOCATION INFORMATION.
- SHOULDER BREAKOVER SHALL NOT EXCEED 8.0%. TRANSITION THE SHOULDER TO MAINTAIN A MAXIMUM BREAKOVER OF 8.0%.
- THE LOW SIDE SHOULDER SLOPE = 4.0% WHEN THE SLOPE OF THE TRAVELED WAY IS +/- 4.0% AND IS EQUAL TO THE SLOPE OF THE TRAVELED WAY WHEN THE SLOPE OF THE TRAVELED WAY EXCEEDS 4.0%.

REVISIONS		ILLINOIS DEPARTMENT OF TRANSPORTATION SUPERELEVATION DATA FAI ROUTE 74 (I-74) WB STA. 144+718.000 TO STA. 146+410.000
NAME	DATE	



DRAWN BY MCM
CHECKED BY RDY
DATE 11/23/04

11/23/04 12:47:04 PM 25 18'