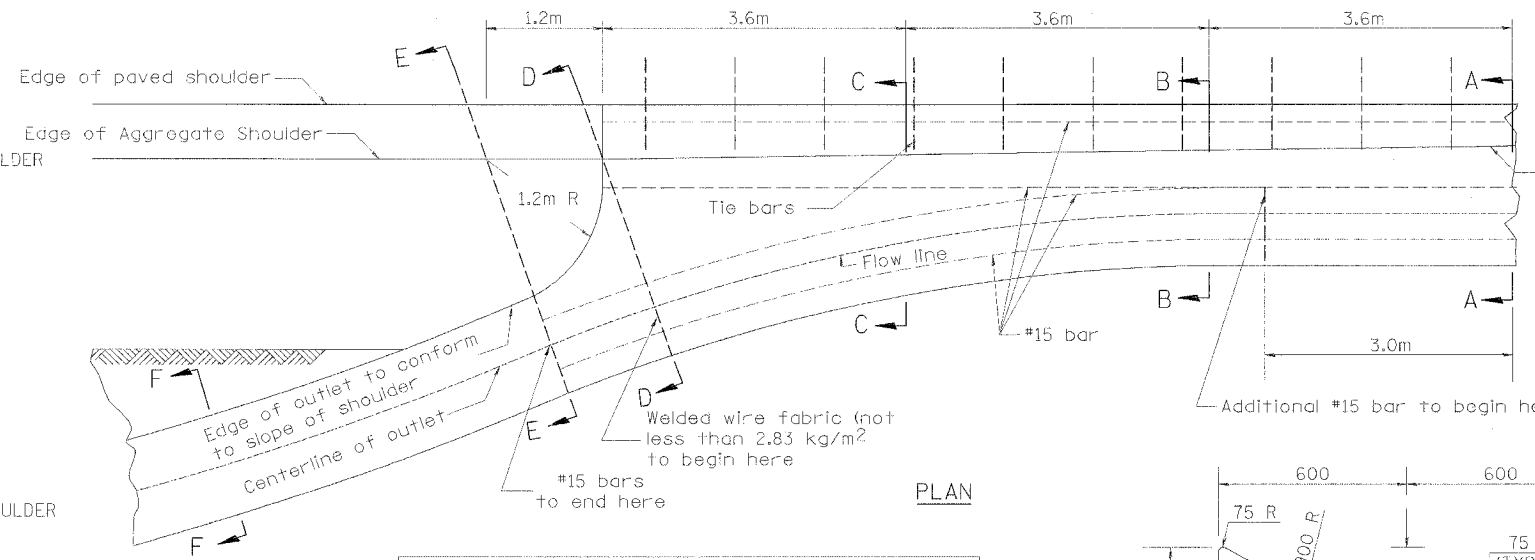
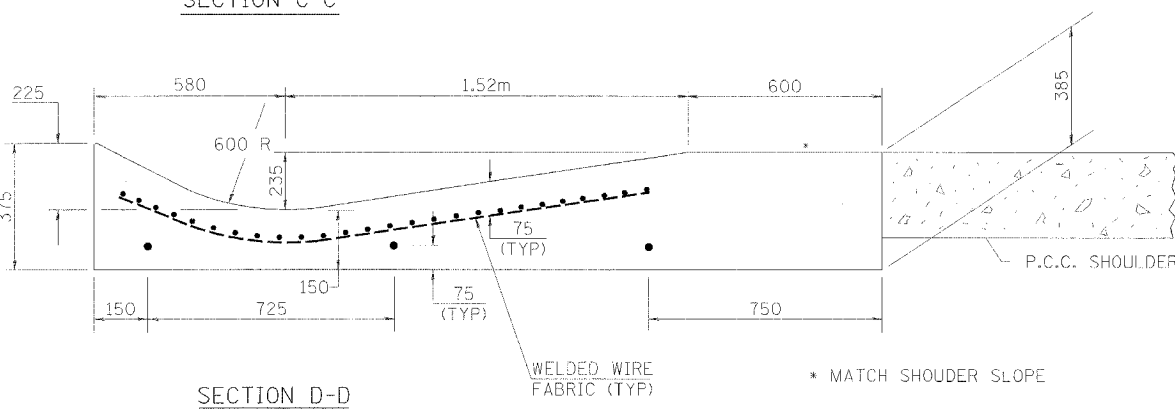
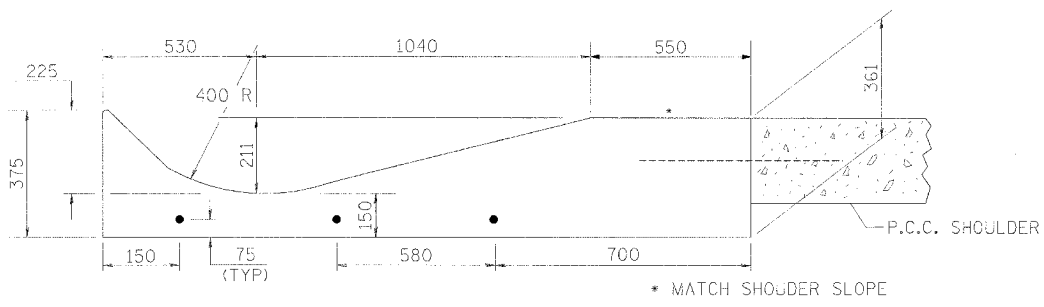
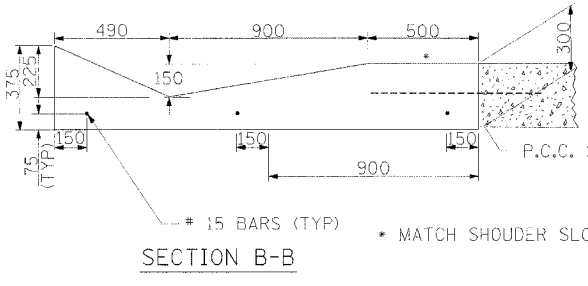
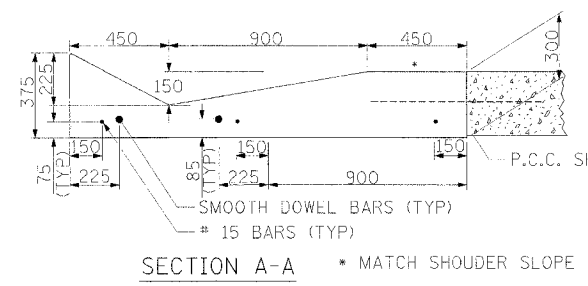
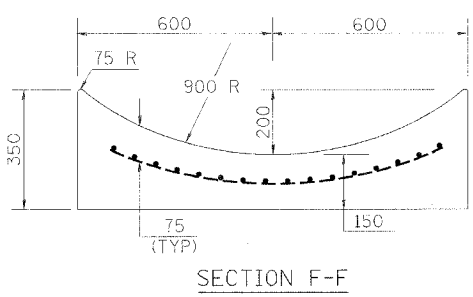


F.A.I. RTE.	SECTION	COUNTY	TOTAL SHEETS	SHEET NO.
74	*	PEORIA	1360	1018
STA.	TO STA.			
FED. ROAD DIST. NO.	ILLINOIS	FED. AID PROJECT		

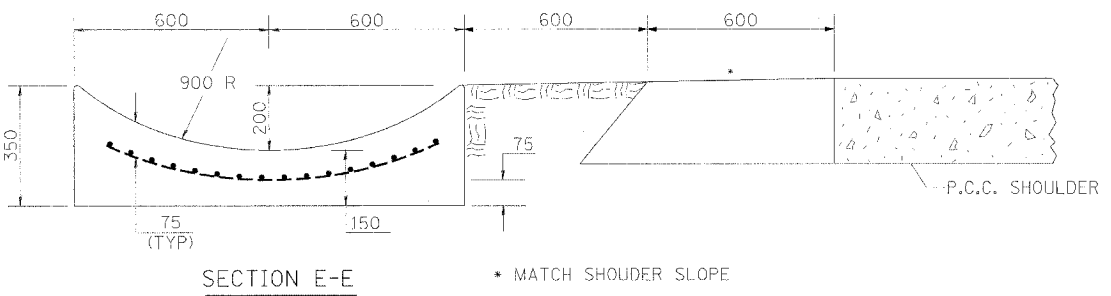
* 72-71R-3



QUANTITY
 Section A-A to E-E= 7.62 m³ (9.97 cu. yd.) concrete.
 Section F-F= 0.26 m³/m (0.104 cu. yd./ft.) concrete.



QUANTITY
 Curtain Wall
 0.081 m³ (0.106 cu. yd.) concrete.



CONCRETE GUTTER, TYPE A (MODIFIED)
 OUTLET (SPECIAL)

WB LT. STA. 145+373.193

- NOTES:
 1. DETAILS NOT TO SCALE.
 2. SEE DISTRICT CADD STANDARD 606101-D4 FOR DETAILS NOT SHOWN.
 3. ALL DIMENSIONS ARE IN MILLIMETERS UNLESS OTHERWISE SHOWN.



REVISIONS	
NAME	DATE

ILLINOIS DEPARTMENT OF TRANSPORTATION
 MISCELLANEOUS ROADWAY DETAILS
 CONCRETE GUTTER, TYPE A (MODIFIED)
 OUTLET (SPECIAL)
 DRAWN BY CAM
 CHECKED BY ROY
 DATE 11/23/04