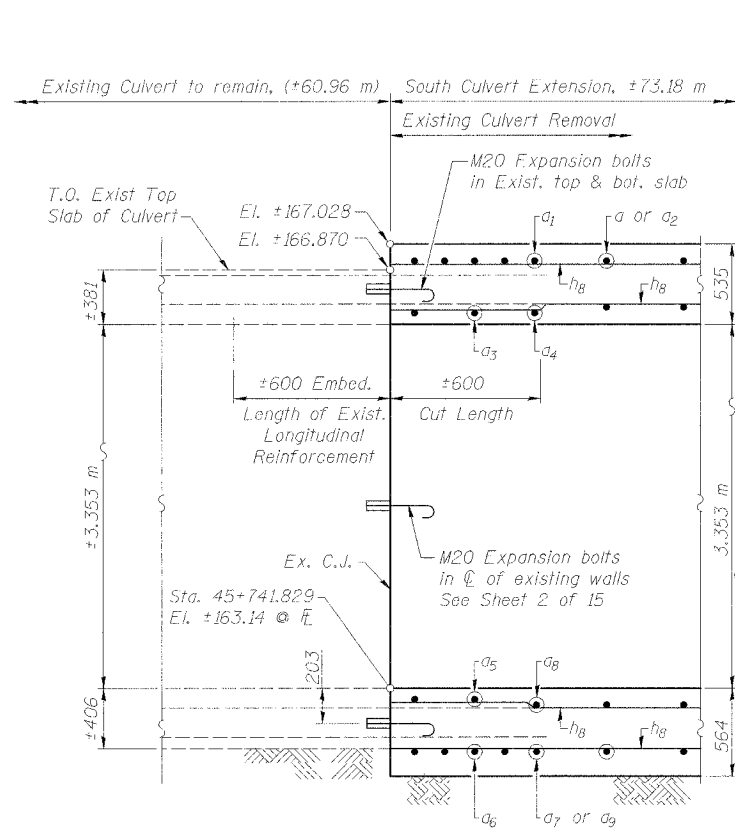


All Dimensions are in millimeters (mm) unless noted otherwise.

STATE OF ILLINOIS  
DEPARTMENT OF TRANSPORTATION

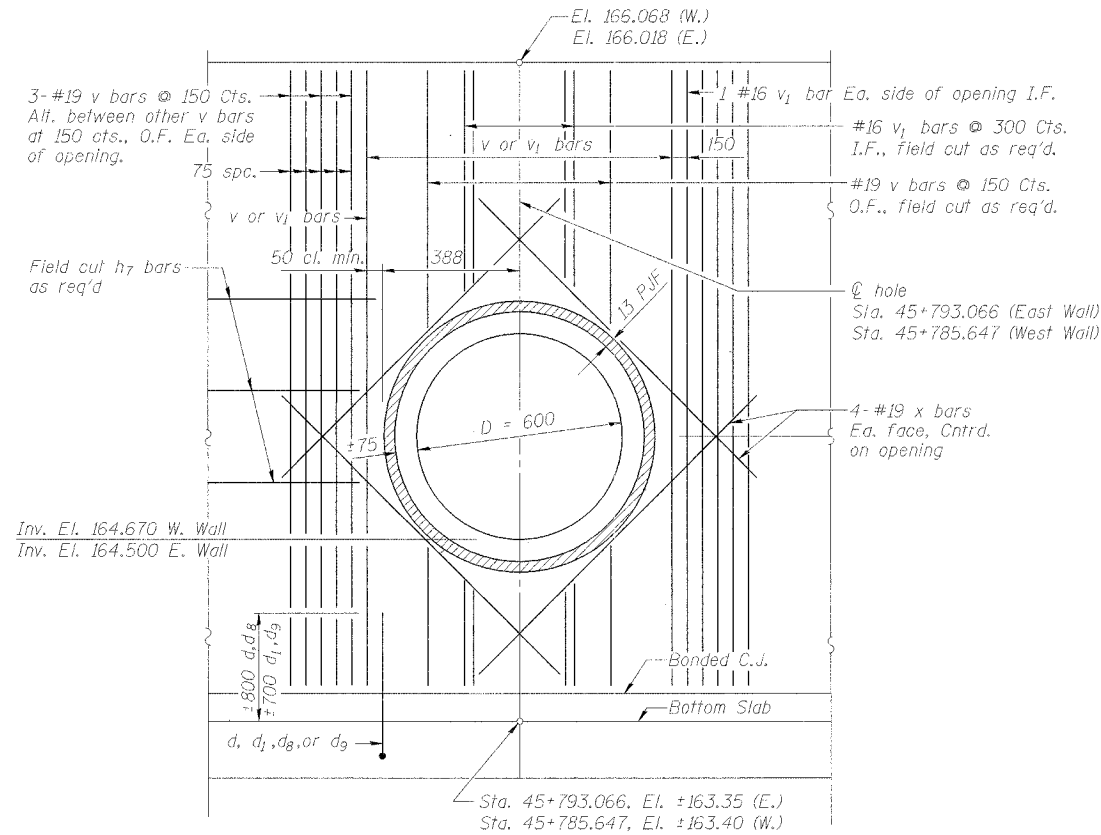
ROUTE NO.	SECTION	COUNTY	FED. AID DIST. NO.	SHEET NO.	SHEET NO. 9 of 15 SHEETS
F.A.I. 74	*	PEORIA	1360	1031	
FED. ROAD DIST. NO. 7		ILLINOIS		FED. AID PROJECT-	

\* (72-TR-3) Contract 68200



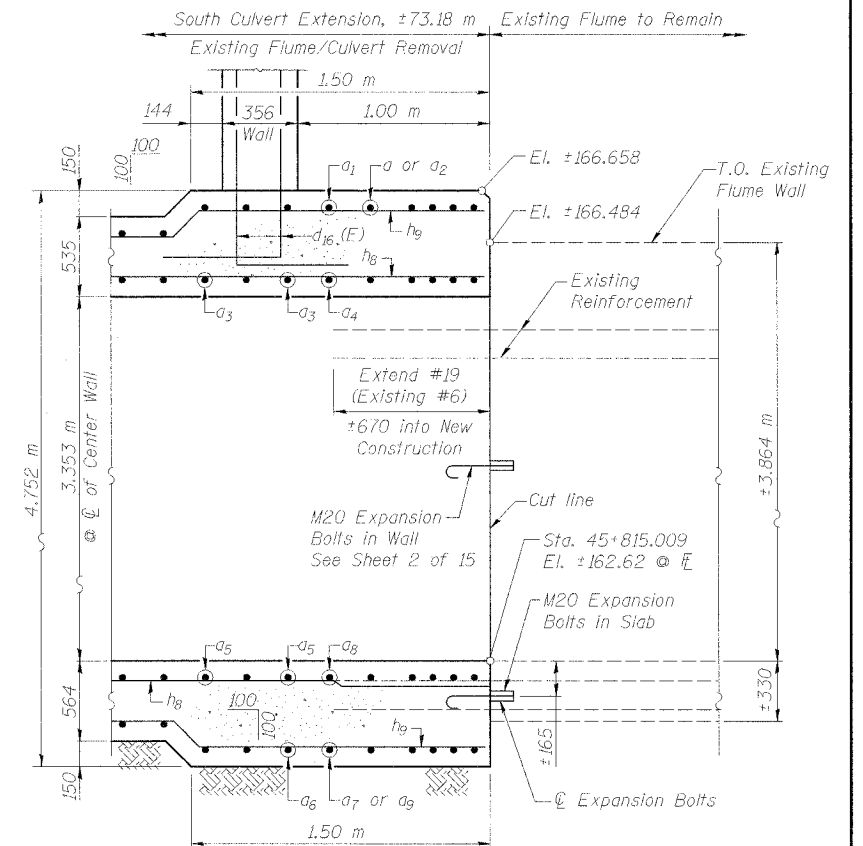
**SOUTH CULVERT HEADWALL**

North End (Upstream)



**CULVERT WALL OPENING**

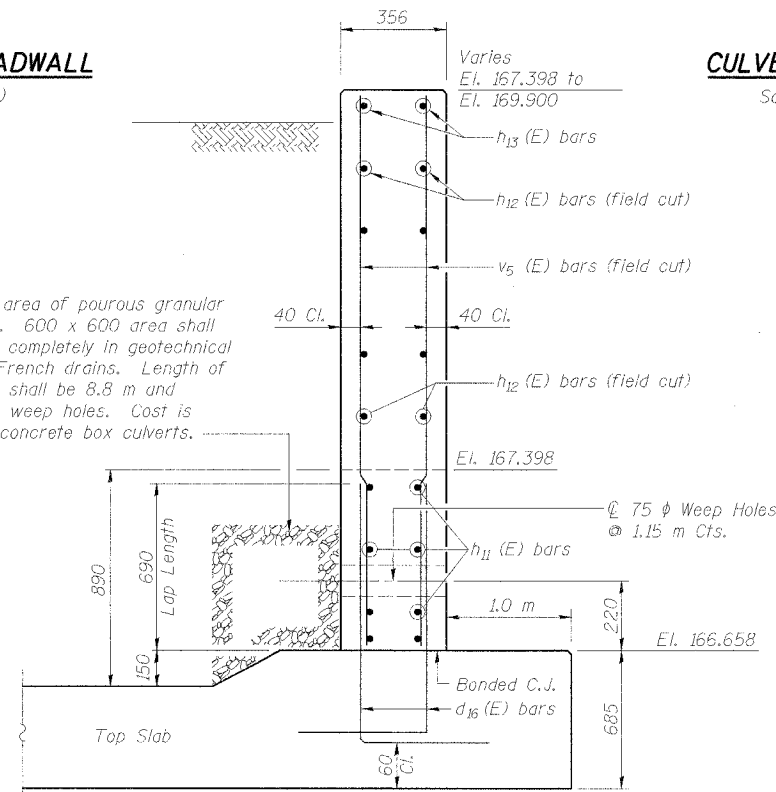
South Culvert Extension



**SOUTH CULVERT HEADWALL**

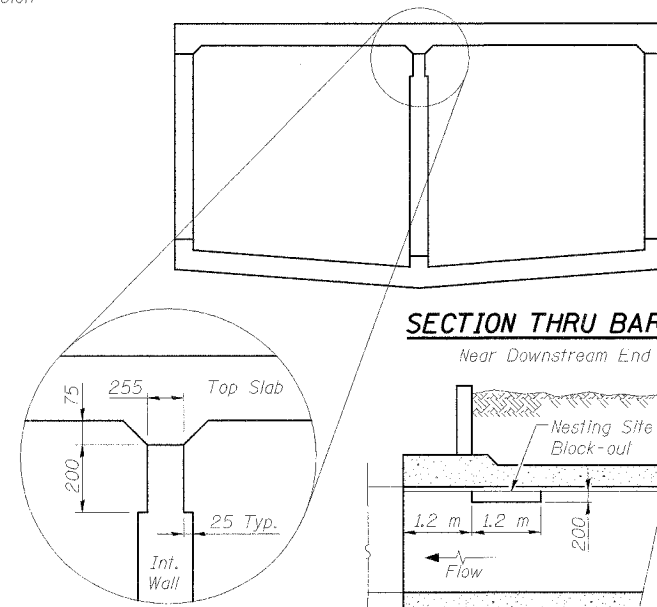
South End (Downstream)

600 x 600 area of porous granular embankment. 600 x 600 area shall be wrapped completely in geotechnical fabric for French drains. Length of embankment shall be 8.8 m and centered on weep holes. Cost is included in concrete box culverts.



**SECTION D-D SOUTH HEADWALL**

South Culvert Extension



**NOTCH DETAIL**

**SECTION THRU BARREL**

Near Downstream End

**LONGITUDINAL SECTION**

NOTE: Notch is formed by rough-finishing board attached to and removed with formwork

**PHOEBE NESTING SITE DETAILS  
ON BOX CULVERT**

DESIGNED	LLV
CHECKED	P.JL
DRAWN	MGM
CHECKED	LLV

**HEADWALL & WALL OPENING DETAILS  
SOUTH CULVERT EXTENSION  
RAMP C-3 OVER DRY RUN CREEK  
F.A.I. ROUTE 74(I-74) SECTION (72-7)R-3  
PEORIA COUNTY  
STATION 10+277.51 TO  
STA. 10+441.66 (RAMP C-3)  
STRUCTURE NUMBER 072-2005**



111 NE Jefferson Ave.  
Peoria, Illinois 61602  
Ph(309)676-8464  
FAX(309)676-5445

11/15/08 2:02:55 PM 01/27/05 07:35:41 AM