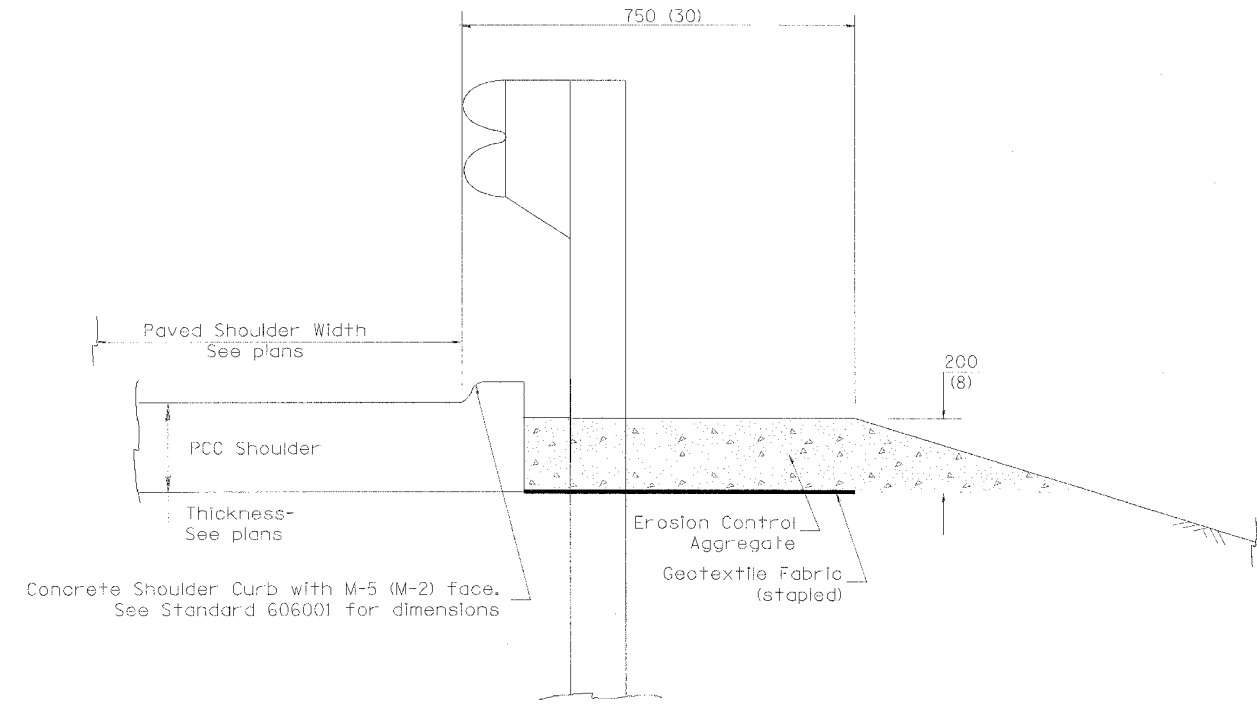
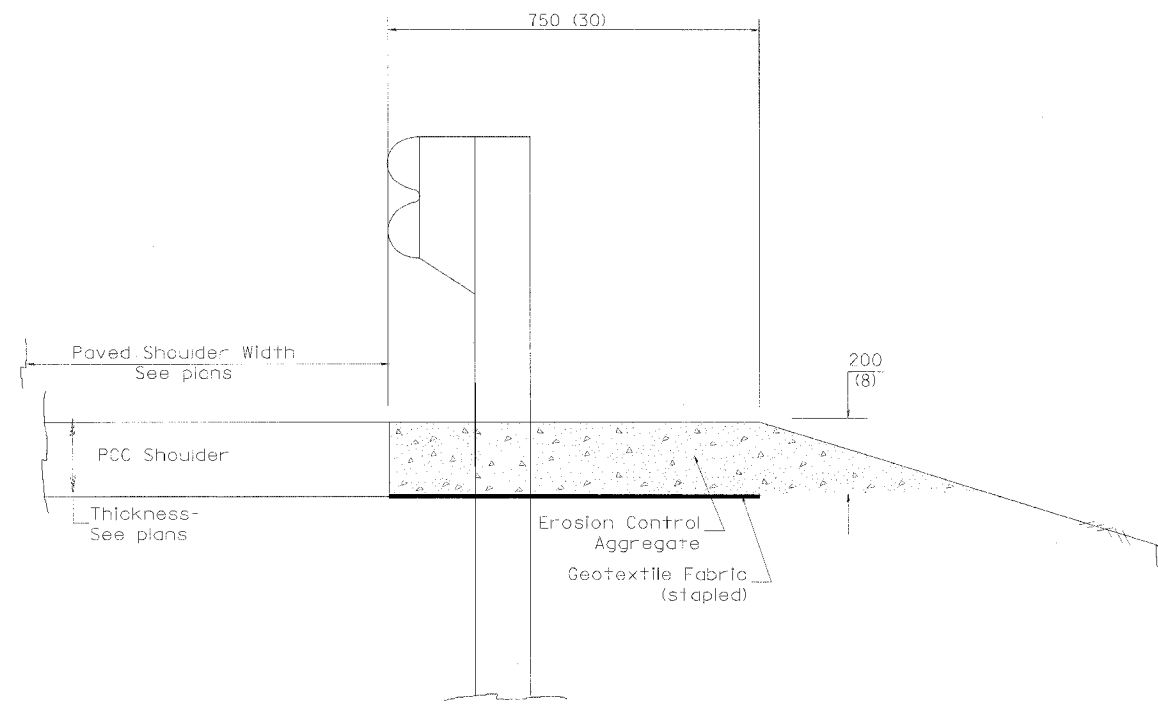


F.A. RTE.	SECTION	COUNTY	TOTAL SHEETS	SHEET NO.
			1360	1062
STA.		TO STA.		
FED. ROAD DIST. NO.	ILLINOIS	FED. AID PROJECT		



TYPICAL SECTION WITH CONCRETE SHOULDER CURB



TYPICAL SECTION WITHOUT CONCRETE SHOULDER CURB

DESIGNER NOTE:

1. Use CONCRETE SHOULDER CURB at guardrail installations where grades are equal to or greater than 1% and at inlets.
2. Use GUARDRAIL AGGREGATE EROSION CONTROL at guardrail installations where grades are less than 1% (Include District Special Provision)
3. Include State Standard 606001 showing M-5 (M-2) curb face. Include State Standards 609001, 609006 or 610001 if applicable.
4. Include the following District Cadd Standards as needed: Slope Drains for Exposed Pipes; Slope Drains for Buried Pipes; Seepage Collars for Buried Pipes; Seepage Collars for Buried Pipes; Slope Drains for Exposed Pipes; Concrete Thrust Blocks and Pipe Elbow.

GENERAL NOTES: CONCRETE SHOULDER CURB

1. Concrete shoulder curb shall be constructed in accordance with Section 662 of the Standard Specifications.

GENERAL NOTES: GUARDRAIL AGGREGATE EROSION CONTROL

1. This work shall consist of furnishing and installing geotextile fabric and staples, and furnishing, placing and shaping crushed aggregate around and behind Steel Plate Beam Guardrail posts in accordance with Plan Details.
2. Before placing the aggregate and the Geotextile Fabric, weeds and grass shall be removed from the area to be covered.
3. After the area has been prepared, and in a dry condition, the Geotextile fabric shall be placed with a 300(12) minimum overlap. A knife cut for guardrail post installation is necessary.
4. The aggregate shall be deposited, compacted and shaped by either mechanical or hand methods, in a manner reasonably true to line and grade.
5. The Contractor shall have the option of placing the guardrail before or after the Geotextile Fabric and Aggregate are in place. If the guardrail is placed after the Geotextile Fabric and Aggregate, then any voids must be filled and the aggregate returned to line and grade.
6. Materials shall meet the following requirements:
 - A. The crushed aggregate shall be CA1 gradation in accordance with Article 1004.01(c) of the Standard Specifications.
 - B. The Geotextile Fabric shall be nonwoven fabric in accordance with Article 1080.02 of the Standard Specifications.

All dimensions are in millimeters (inches) unless otherwise noted.

ILLINOIS DEPARTMENT OF TRANSPORTATION
I-74 PROJECT STANDARD 630101-174

GUARDRAIL AGGREGATE
EROSION CONTROL TREATMENT
& CONCRETE SHOULDER CURB

SCALE: NOT DRAWN TO SCALE
DATE: 12/19/00

DRAWN BY CADD
CHECKED BY

DATE	REVISIONS	BY
3/28/01		

DGN=0N.Y.

11/18/01 12:45:00 PM 12/19/00 10:45:01 AM