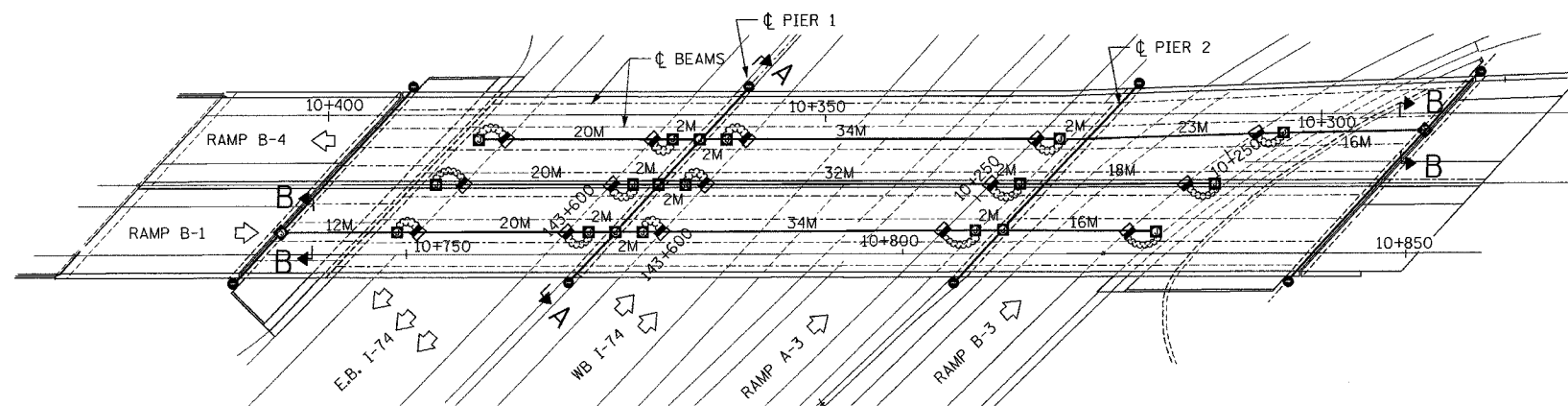
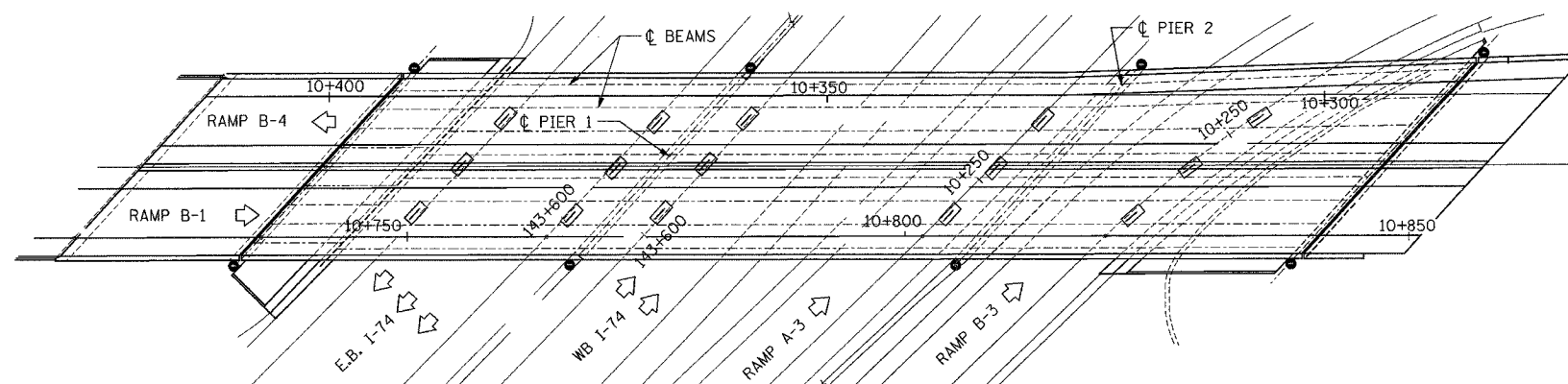


F.A.I. RTE.	SECTION	COUNTY	TOTAL SHEETS	SHEET NO.
74	(72-71B-3)	PEORIA	1360	1208
STA.		TO STA.		
FED. ROAD DIST. NO.		ILLINOIS FED. AID PROJECT		

CONTRACT NO. 68200



PLAN VIEW
ATTACHED CONDUIT & JUNCTION BOXES



PLAN VIEW
EMBEDDED CONCRETE INSERTS

STREET LIGHTING - BILL OF MATERIAL - SHEETS 24 AND 25

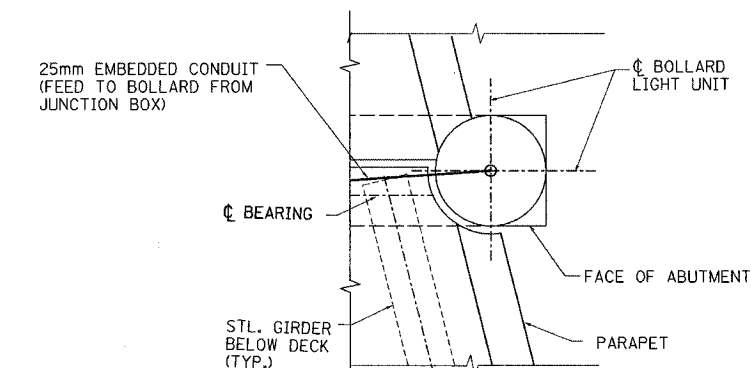
PAY ITEM	UNIT	QTY.
CONDUIT ATTACHED TO STRUCTURE, 25MM DIA., GALVANIZED STEEL	METER	263.0
CONDUIT EMBEDDED IN STRUCTURE, 50MM DIA., PVC	METER	130.0
JUNCTION BOX, STAINLESS STEEL, ATTACHED TO STRUCTURE, 150MM X 150MM X 100MM	EACH	27
JUNCTION BOX, STAINLESS STEEL, EMBEDDED IN STRUCTURE, 300MM X 300MM X 200MM	EACH	7
UNDERPASS LUMINAIRE, (INSTALL ONLY)	EACH	15

NOTES:

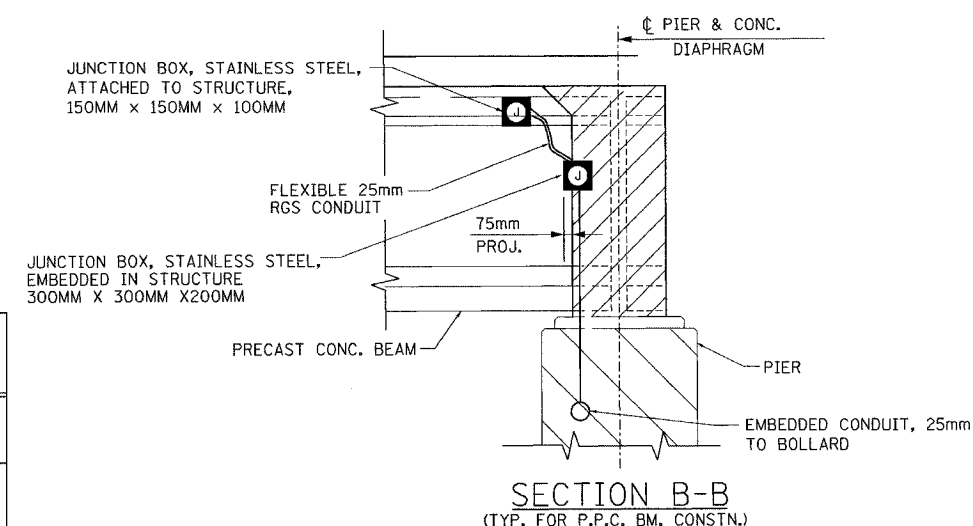
- ALL EMBEDDED CONDUIT SHALL BE 50mm, PVC - SCH. 40, UNLESS OTHERWISE INDICATED.
- ALL JUNCTION BOXES ATTACHED TO STRUCTURE SHALL BE STAINLESS STEEL, 150mmx150mmx100mm, UNLESS OTHERWISE NOTED.
- ALL CONDUIT BENDS AND RADII SHALL BE IN ACCORDANCE WITH IDOT STANDARD SPECIFICATIONS.
- FOR SECTION A-A, ABUTMENT AND PIER DETAILS AND QUANTITIES, SEE SHEET 25.



- LEGEND
- PROPOSED JUNCTION BOX
 - PROPOSED ATTACHED CONDUIT, 25mm DIA., GALVANIZED STEEL
 - PROPOSED EMBEDDED CONDUIT, 50mm DIA. PVC SCHEDULE 40
 - PROPOSED LIQUID-TIGHT FLEXIBLE CONDUIT, 25mm
 - EMBEDDED CONCRETE INSERT (SEE DETAIL SHEET #46)
 - UNDERPASS LUMINAIRE, HPSV, 100 WATT, 240 VOLT (SEE DETAIL SHEET #46).



SECTION D-D
PARTIAL PLAN-BOLLARD LOCATION AT S. ABUTMENT
(SIMILAR FOR ALL BOLLARDS)



SECTION B-B
(TYP. FOR P.P.C. BM. CONSTN.)

LIGHTING SHEET 24 OF 64

REVISIONS		ILLINOIS DEPARTMENT OF TRANSPORTATION
NAME	DATE	
		BRIDGE LIGHTING PLAN RAMPS B-1 AND B-4 OVER I-74 DRAWN BY DJK CHECKED BY MKR DATE: 11/12/04

ab alfred benesch & company
CONSULTING ENGINEERS
205 NORTH MICHIGAN AVENUE, CHICAGO, ILLINOIS 60601

m:\proj\3573\lighting\4\contract\0\1\1001-7aibr-bl.dgn

4:39:19 PM

11/12/2004