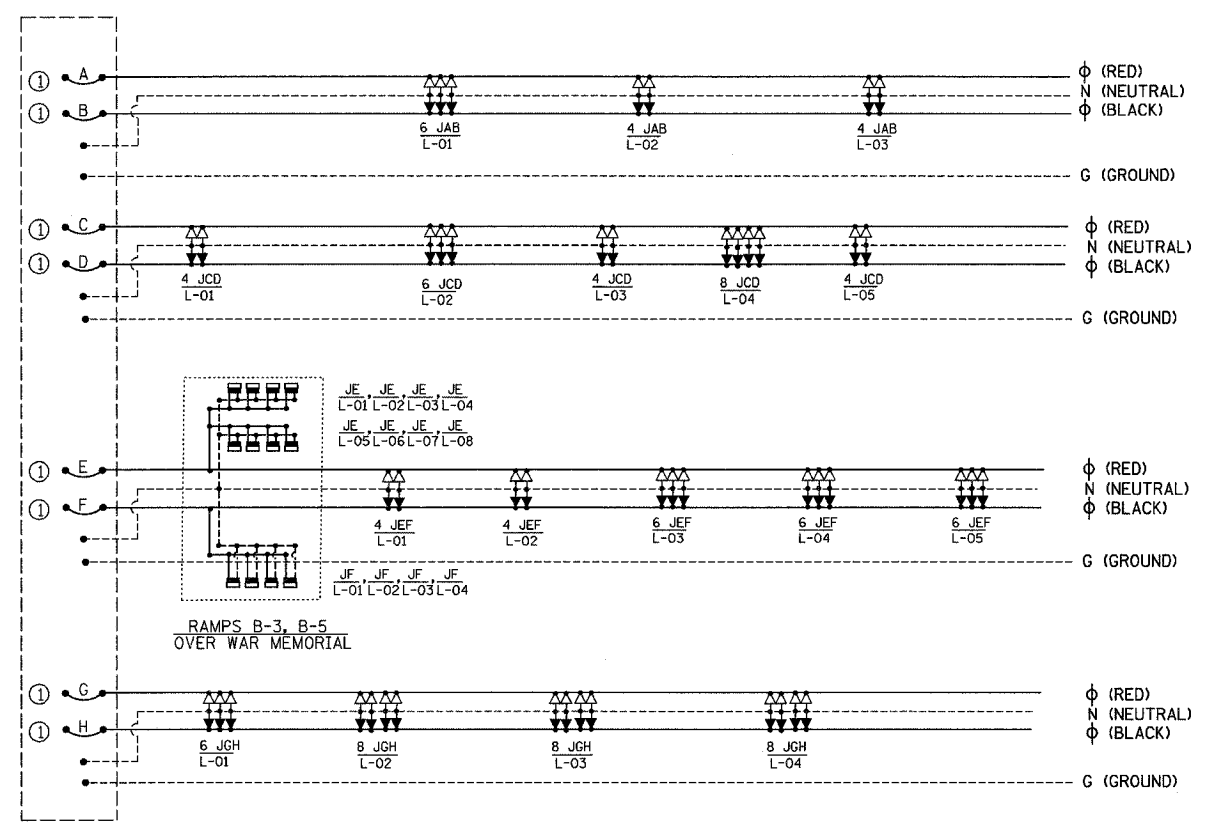


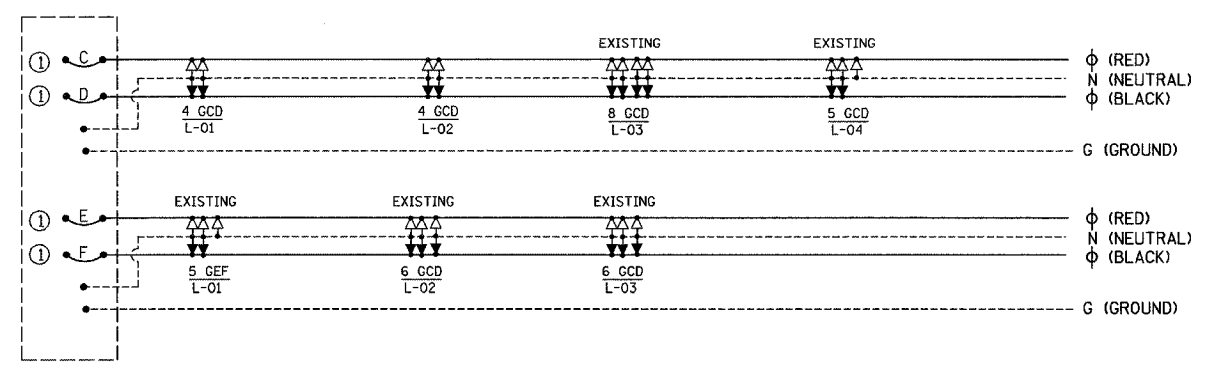
F.A.I. RTE.	SECTION	COUNTY	TOTAL SHEETS	SHEET NO.
74	(72-TIR-3)	PEORIA	1360	1217
STA.	TO STA.			
FED. ROAD DIST. NO.	ILLINOIS	FED. AID PROJECT		

CONTRACT NO. 68200



① 1 POLE 50AMP BREAKER

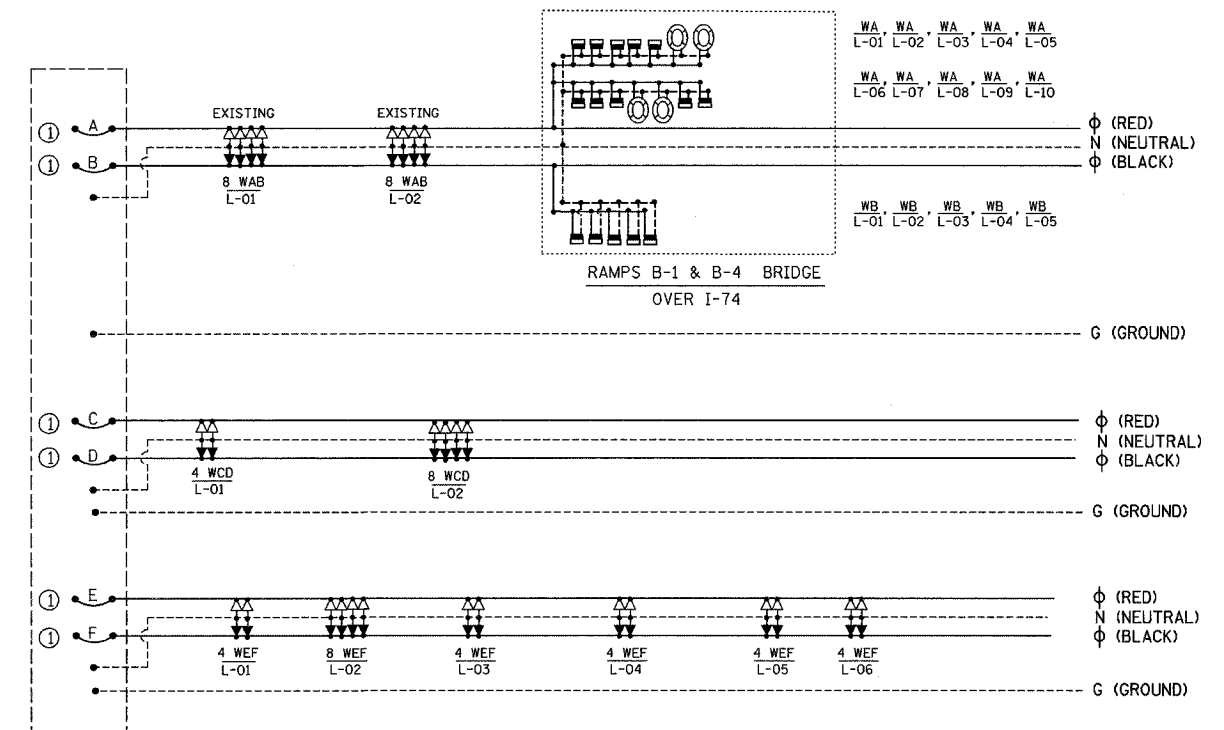
PROPOSED LIGHTING CONTROLLER "J" - (1-PHASE, 240/480VOLT, 3-WIRE)



① 1 POLE 50AMP BREAKER

EXISTING LIGHTING CONTROLLER "G" - (1-PHASE, 240/480VOLT, 3-WIRE)

NOTE: SCHEMATIC SHOWS ONLY THE CIRCUITS EFFECTED BY THE NEW WORK.



① 1 POLE 50AMP BREAKER

EXISTING LIGHTING CONTROLLER "W" - (1-PHASE, 240/480VOLT, 3-WIRE)

NOTE: SCHEMATIC SHOWS ONLY THE CIRCUITS EFFECTED BY THE NEW WORK.

M:\proj\357-3-UGHT\INGV-4\Contract\ONI1002-7a\_controllerWG.dgn

3:19:55 PM

1/25/2005

REVISIONS	
NAME	DATE

ILLINOIS DEPARTMENT OF TRANSPORTATION  
LIGHTING CONTROLLER "W", "G",  
AND "J" WIRING AND DETAILS

DATE: 1/25/2005  
DRAWN BY: DJK  
CHECKED BY: MKR

**ab** alfred benesch & company  
CONSULTING ENGINEERS  
205 NORTH MICHIGAN AVENUE, CHICAGO, ILLINOIS 60601