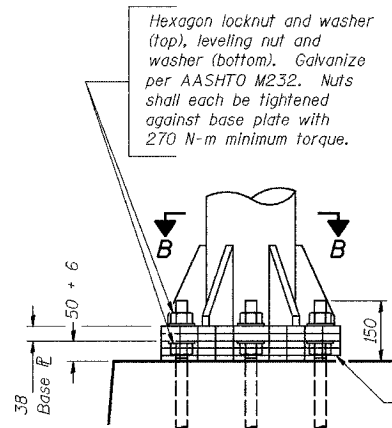


STATE OF ILLINOIS
DEPARTMENT OF TRANSPORTATION

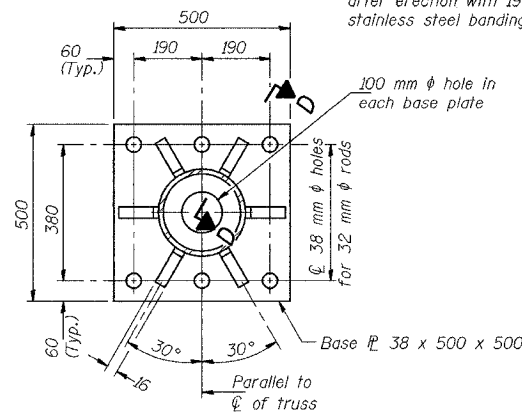
ROUTE No.	SECTION	COUNTY	TOTAL SHEETS	SHEET NO.
FAI 74	*	PEORIA	1360	1302
STA.		TO STA.		
ILLINOIS REGION		ILLINOIS	PROJECT	
		* (72-7)R-3 CONTRACT NO. 68200		



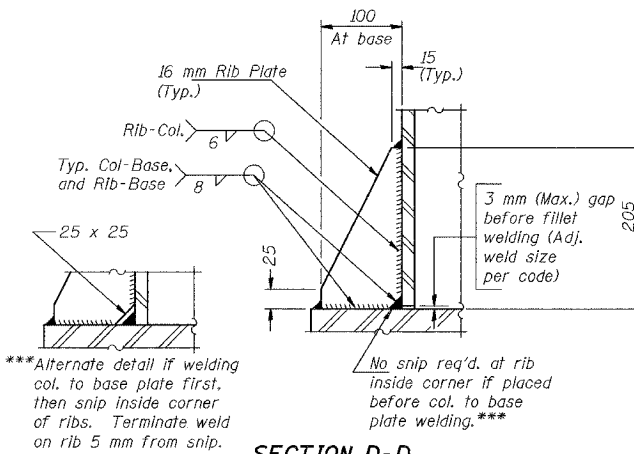
DETAIL B

Ribs shall be cut to fit slope of pipe.

Stainless Steel Standard Grade Wire Cloth, 76 mm wide, 6 mm maximum opening with a minimum wire diameter of 1.5 mm with a minimum 50 mm lap. Secure to base plate after erection with 19 mm stainless steel banding.



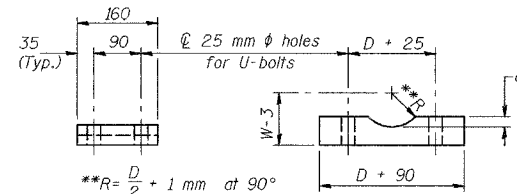
SECTION B-B



SECTION D-D

***Alternate detail if welding col. to base plate first, then snip inside corner of ribs. Terminate weld on rib 5 mm from snip.

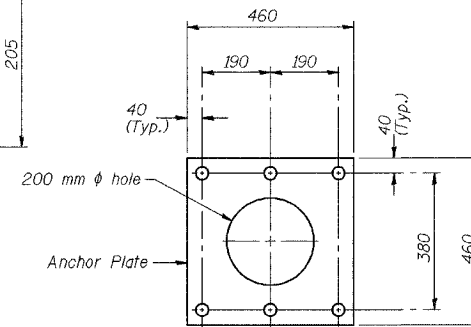
No snip req'd. at rib inside corner if placed before col. to base plate welding.***



SADDLE SHIM DETAIL

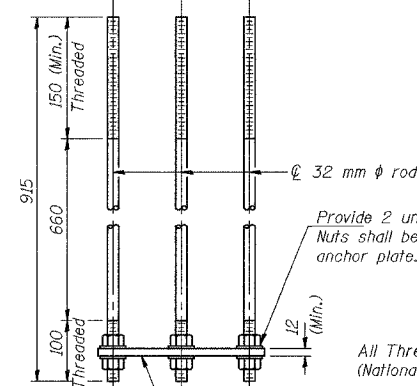
**R = $\frac{D}{2} + 1$ mm at 90°
D = Outside Diameter of Chord.
For W, see Base Sheet OS-S-6.

Truss Chord Nominal Dia.	a
102	16
127	19
152	22



200 mm ϕ hole

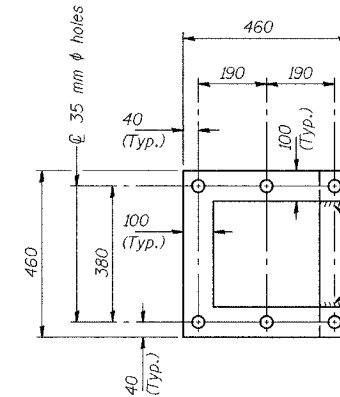
ϕ 35 mm ϕ holes



ANCHOR ROD DETAIL
Spread Footing Foundation

All Thread = NC (National Coarse)

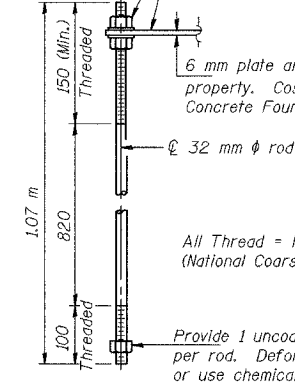
Anchor rods shall conform to AASHTO M314M Grade 250 or 380 (36 or 55) and meet Charpy V-Notch (CVN) energy of 20 J at 5°C. Galvanize upper 305 mm per AASHTO M232. No welding shall be permitted on rods.



POSITIONING PLATE(S)

Optionally may use four (4) separate bars. Weld to maintain perpendicularity.

At each location, provide 6 mm thick positioning plate(s) and six (6) additional nuts to be used with leveling nuts to maintain anchor bolts position during concrete placement.



ANCHOR ROD DETAIL
Drilled Shaft Foundation

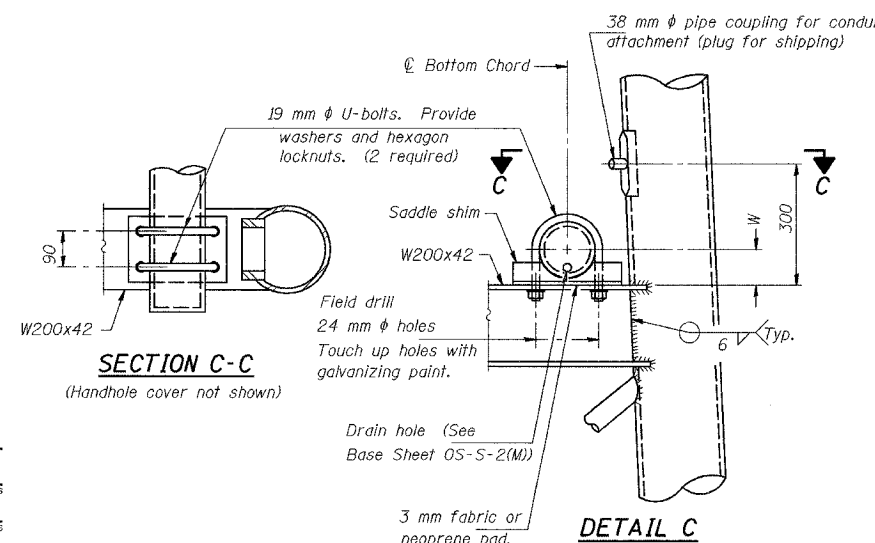
All Thread = NC (National Coarse)

Provide 1 uncoated nut per rod. Deform thread or use chemical thread lock to secure.

NUMBER	REVISION	DATE

DESIGNED	RJW	2004
CHECKED	KJN	EXAMINED
DRAWN	RJW	PASSED
CHECKED	KJN	ENGINEER OF BRIDGES AND STRUCTURES

OS-S-6A(M) 10/1/2001



SECTION C-C
(Handhole cover not shown)

DETAIL C

DN 250 PIPE SUPPORT FRAME DETAILS

**OVERHEAD SIGN STRUCTURES
SUPPORT FRAME DETAILS STEEL TRUSS**

ILLINOIS DEPARTMENT OF TRANSPORTATION

SIGNING PLAN
W.B. I-74 STA. 143+798, S.N. 4S0721074L089.3
W.B. I-74 STA. 144+154, S.N. 4S0721074L089.4
W.B. I-74 STA. 144+540, S.N. 4S0721074L089.7

PEORIA CO., IL.

DATE: II-II-04

SIGNING SHEET 54 OF 83

M:\Pro\3573\Sign Structures\Contract 10/sp1001-7Aoh-sfl.dgn