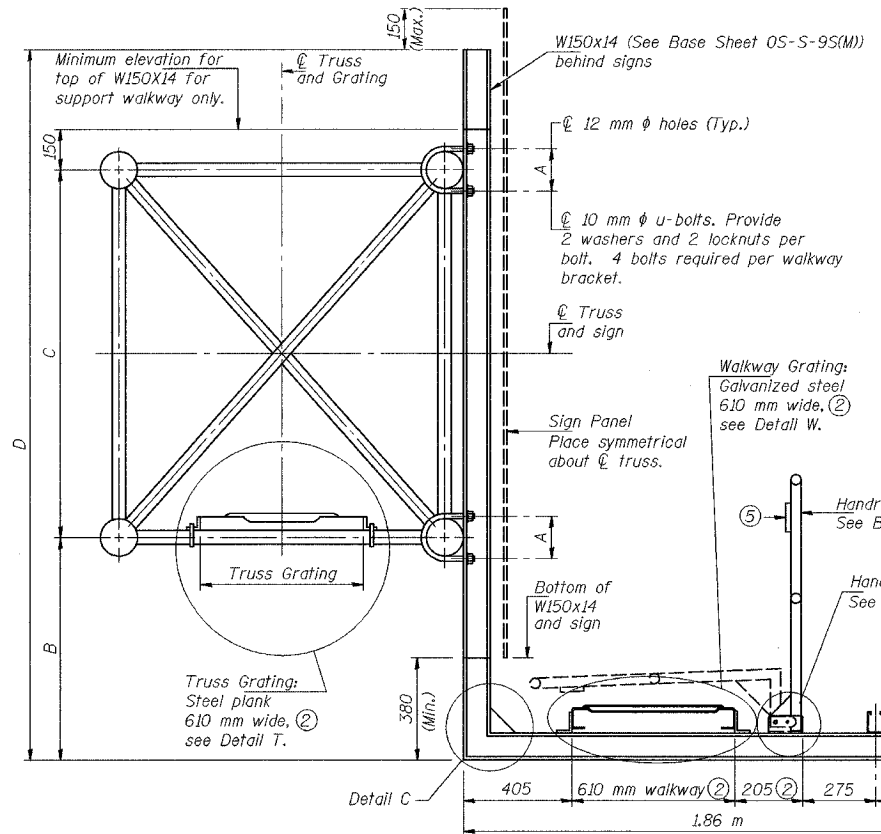


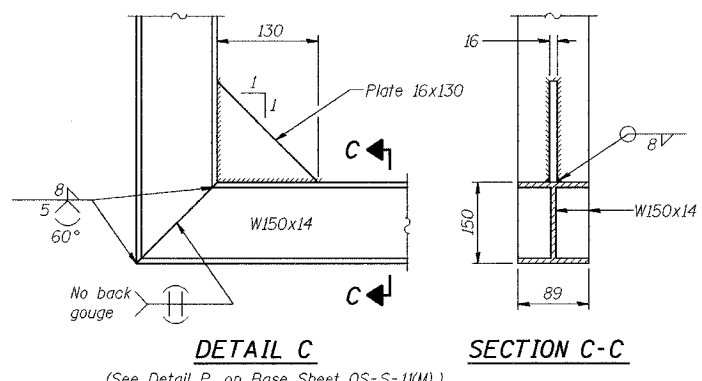
STATE OF ILLINOIS
DEPARTMENT OF TRANSPORTATION

ROUTE No.	SECTION	COUNTY	TOTAL SHEETS	SHEET NO.
FAI 74	*	PEORIA	1360	1306
STA.		TO STA.		
F.H.W.A. REGION		ILLINOIS PROJECT		

CONTRACT NO. 68200

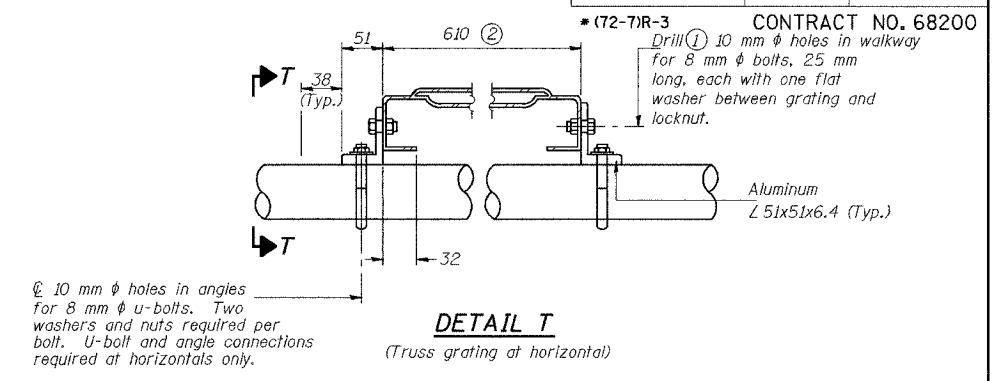


SECTION B-B

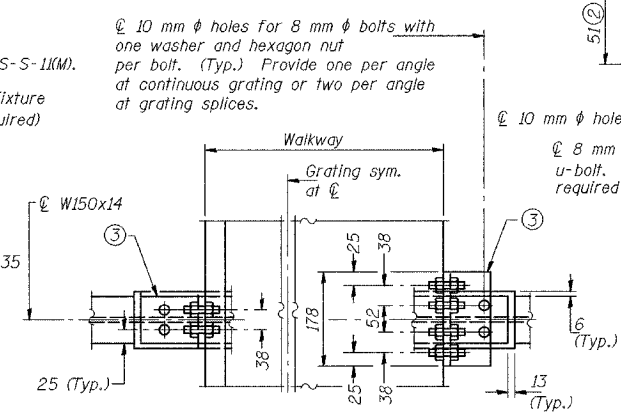


DETAIL C

SECTION C-C

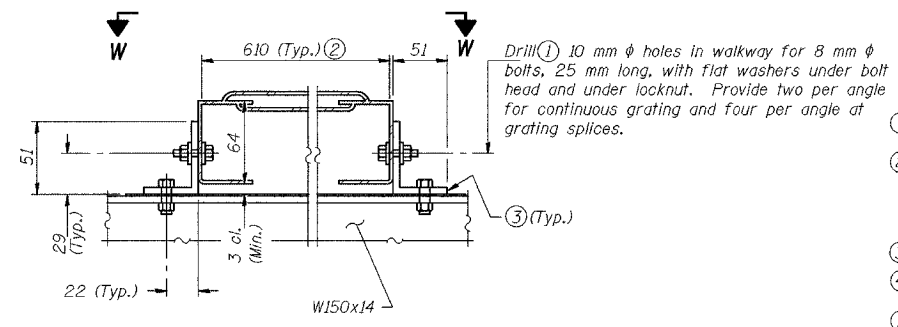


DETAIL T



SECTION T-T

SECTION T-T



DETAIL W

GALVANIZED STEEL WALKWAY GRATING

WALKWAY GRATING CONTINUOUS AT WALKWAY GRATING SPLICE

SECTION W-W

- Drilling holes in grating may be done in shop or field, based on Contractor's preference and subject to accurate alignment.
- Perforated or expanded metal grating providing a skid resistant (non-serrated) surface and capable of supporting a 2.22 kN concentrated load with a 1.83 m clear span. Walkway and truss grating dimensions are nominal and may vary (width ± 13 mm, depth ± 13 mm) based on available standard sizes. Cut ends of grating shall be free of burrs or hazardous projections and coated with zinc-rich primer or equivalent.
- Galvanized steel L 51x51x6.4, 90 mm long with continuous grating, 190 mm long at grating splice.
- Details shown are considered equal alternatives to the Steel Walkway on Base Sheet OS-S-10(M) and may be substituted by Contractor at no change in contract cost.
- \bar{L} 3 mm x 13 mm x 50 mm welded to handrail posts to protect locations that contact grating.
- Tube to grating gap may vary from 0 to 13 (Max.) to align walkway, allow for camber, etc.
- The outside foundation, end supports, truss and signing are included in this contract. The median foundation was provided in a previous contract.

STEEL TRUSS GRATING

Structure Number	Station	A (m)	B (m)	C (m)	D (m)
450721074L089.3	143+798.000	0.153	0.915	1.370	3.050
450721074L089.4	144+154.000	0.153	1.220	1.370	3.660
450721074L089.7	144+540.000	0.153	1.296	1.370	3.812

SIGNING SHEET 58 OF 83

OVERHEAD SIGN STRUCTURES
ALTERNATE STEEL WALKWAY DETAILS

ILLINOIS DEPARTMENT OF TRANSPORTATION

SIGNING PLAN
W.B. I-74 STA. 143+798, S.N. 450721074L089.3
W.B. I-74 STA. 144+154, S.N. 450721074L089.4
W.B. I-74 STA. 144+540, S.N. 450721074L089.7

PEORIA CO., IL.

DATE: II-II-04

Walkway Grating, Walkway Supports, Handrail and Lighting are not included. Information shown on this sheet shall be used for Truss Grating and Sign Brackets only.

DESIGNED	RJW
CHECKED	KJN
DRAWN	RJW
CHECKED	KJN

EXAMINED	2884
PASSED	ENGINEER OF STRUCTURAL SERVICES
	ENGINEER OF BRIDGES AND STRUCTURES

NUMBER	REVISION	DATE

OS-S-10S(M) 10/17/2001

M:\Proj\3573\Sign Structures\Contract 10/sp\001-7Aoh-sfl.dgn