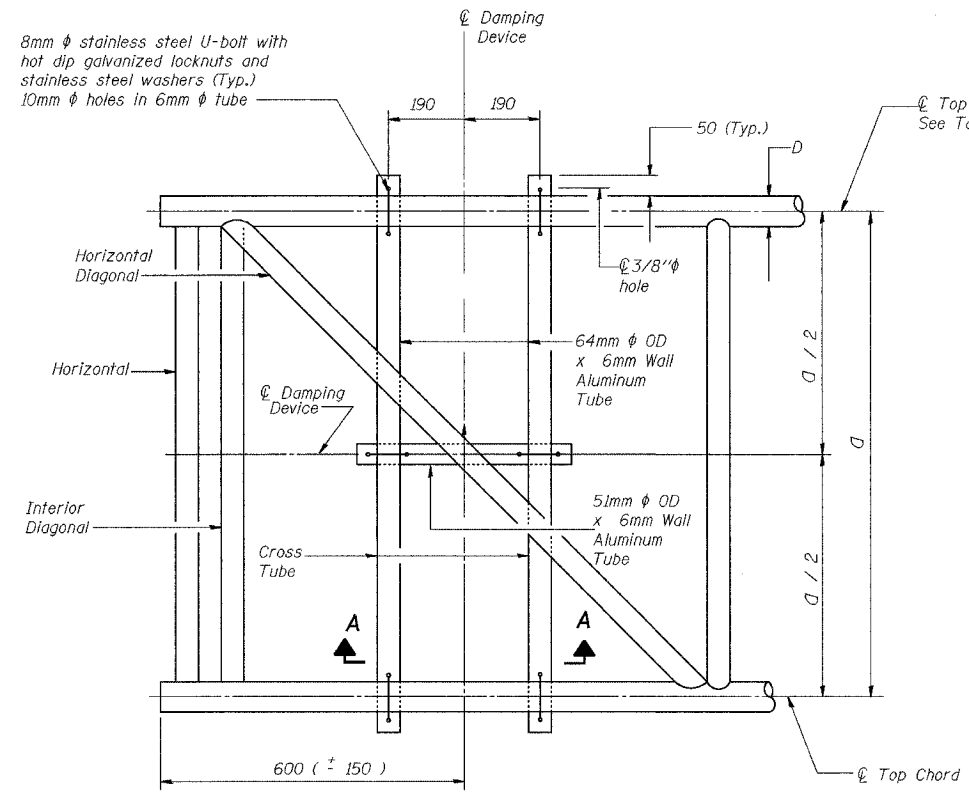
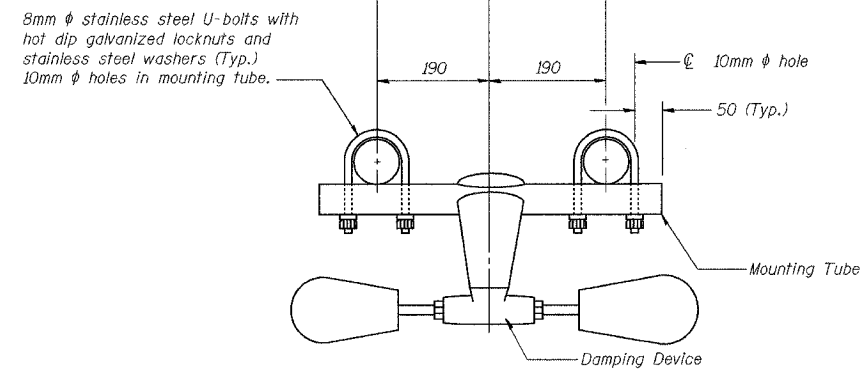


STATE OF ILLINOIS
DEPARTMENT OF TRANSPORTATION

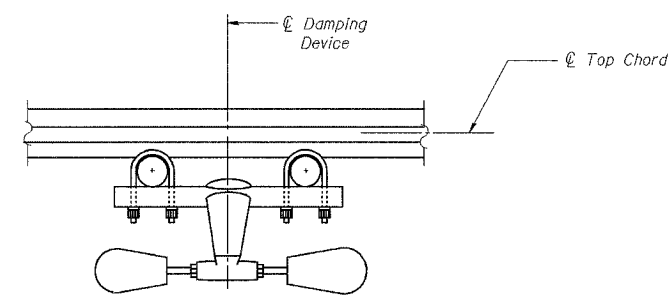
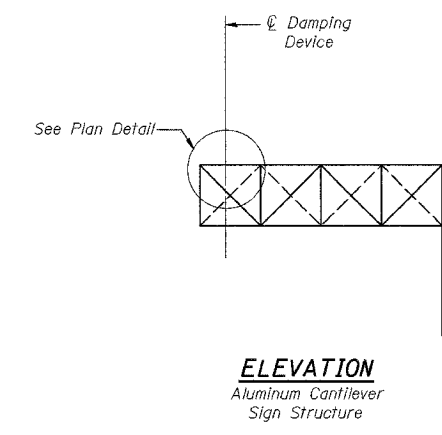
ROUTE No.	SECTION	COUNTY	TOTAL SHEETS	SHEET NO.
FAI74	*	PEORIA	1360	1326
STA.		TO STA.		
F.H.W.A. REGION		ILLINOIS	PROJECT	
*172-71R-3		CONTRACT NO. 68200		



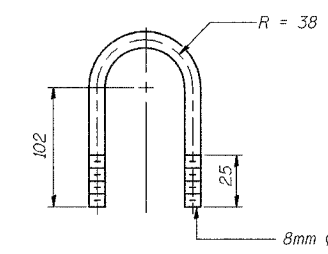
PLAN DETAIL



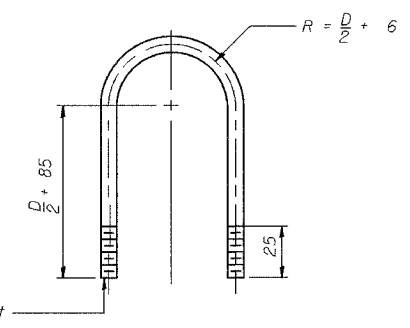
TRUSS DAMPING DEVICE CONNECTION DETAIL



SECTION A-A



DAMPING DEVICE MOUNTING TUBE U-BOLT DETAIL
(Typical)



TOP CHORD TO CROSS TUBE U-BOLT DETAIL
(Typical)

GENERAL NOTES

- Damper: One damper per truss. (14 Kg Stockbridge-Type Aluminum)
- Materials: Aluminum tubes shall be ASTM B221(M) alloy 6061 temper T6
- All dimensions are in millimeters (mm) except as noted.

DESIGNED	RJW	2004
CHECKED	KJN	EXAMINED
DRAWN	RJW	ENGINEER OF STRUCTURAL SERVICES
CHECKED	KJN	PASSED
		ENGINEER OF BRIDGES AND STRUCTURES

OSC-A-D(M) 11/1/2002

CANTILEVER SIGN STRUCTURE DAMPING DEVICE

ILLINOIS DEPARTMENT OF TRANSPORTATION
SIGNING PLAN
WAR MEMORIAL DR. STA. 39+700, 4C072UI50R024.7
WAR MEMORIAL DR. STA. 40+105, 4C072UI50R024.9

PEORIA CO., IL. DATE: 11-04

M:\Proj\3573\Sign Structures\Contract 10\sp\003-TAcad-alm.dgn