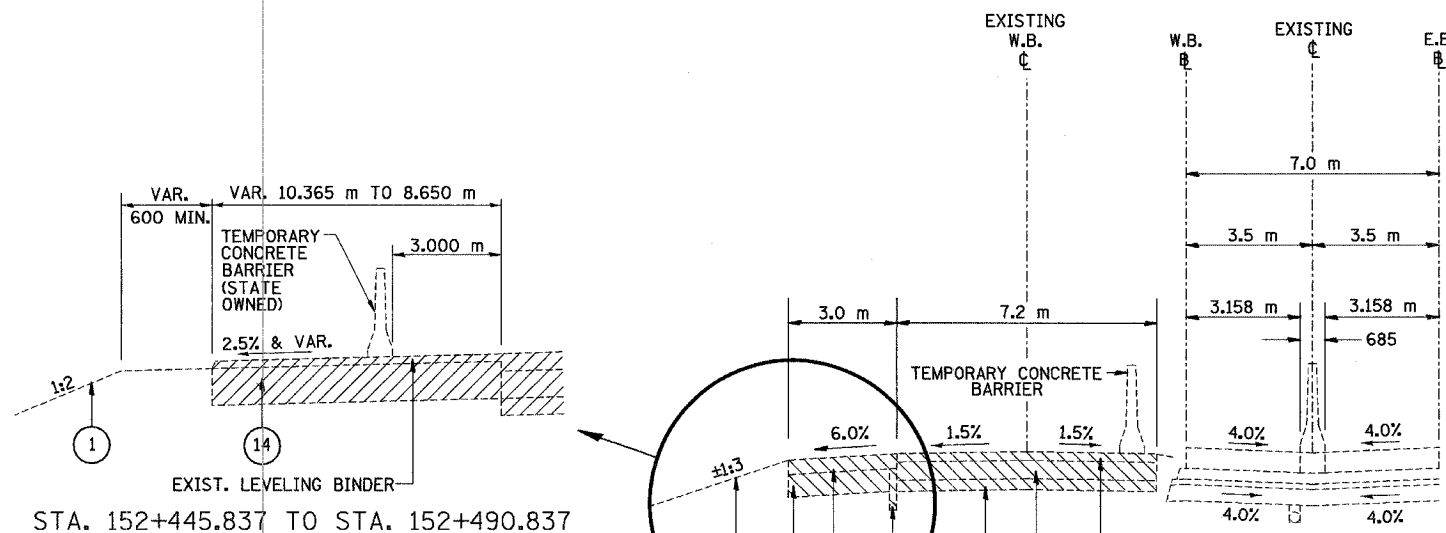


F.A.I. RTE.	SECTION	COUNTY	TOTAL SHEETS	SHEET NO.
74	*	TAZEWELL	1366	46
STA.		TO STA.		
FED. ROAD DIST. NO.		ILLINOIS FED. AID PROJECT		
* (90-11R-2; 90(13,14,14-1R-1				

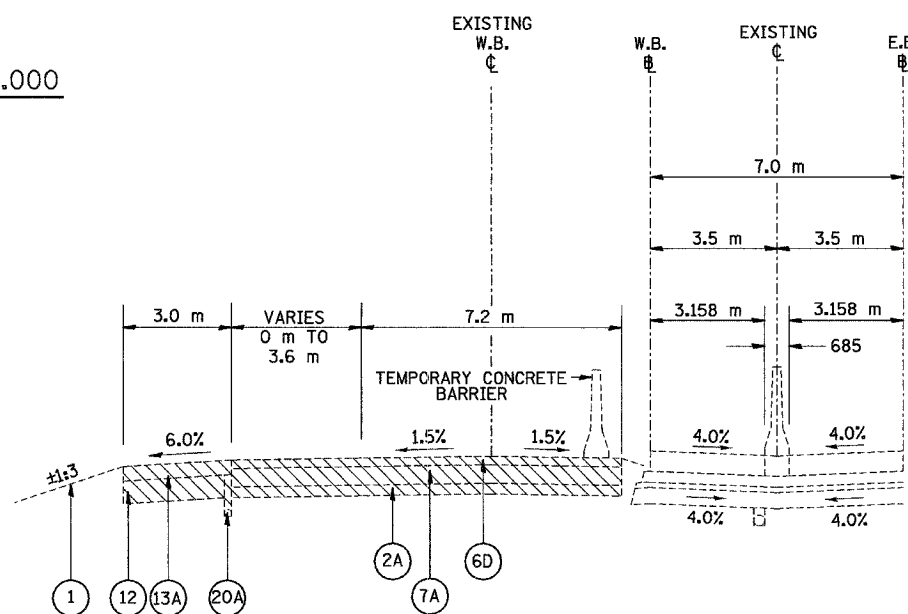
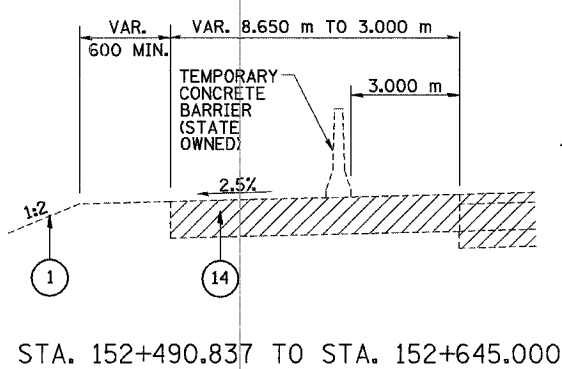


INDICATES ITEMS TO BE REMOVED

NOTES:
 ALL DIMENSIONS ARE IN MILLIMETERS (mm)
 UNLESS OTHERWISE STATED.

TYPICAL SECTION A
 STA. 152+445.837 TO STA. 152+920
 STA. 153+476 TO STA. 153+754

(A)



TYPICAL SECTION C
 STA. 152+920 TO STA. 153+080
 STA. 153+754 TO STA. 153+819.180

(B)

LEGEND

- (1) EXISTING GROUND LINE
- (2A) EX SUB-BASE GRANULAR MATERIAL 150 MM
- (7A) EX PCC PAVEMENT 250 MM (REINFORCED)
- (12) EX AGGREGATE SHOULDERS
- (13A) EX BITUMINOUS SHOULDERS 250 MM
- (14) EX PCC SHOULDERS
- (20A) EX PIPE UNDERDRAINS 100 MM
- (6D) EXISTING BITUMINOUS RESURFACING 115 MM



REVISIONS	
NAME	DATE

ILLINOIS DEPARTMENT OF TRANSPORTATION
 FAI ROUTE 74 (I-74)
 EXISTING TYPICAL SECTIONS
 FAI ROUTE 74 (I-74) (WB)
 SECTIONS A & B
 DRAWN BY DER
 CHECKED BY MLB
 DATE 12/20/04