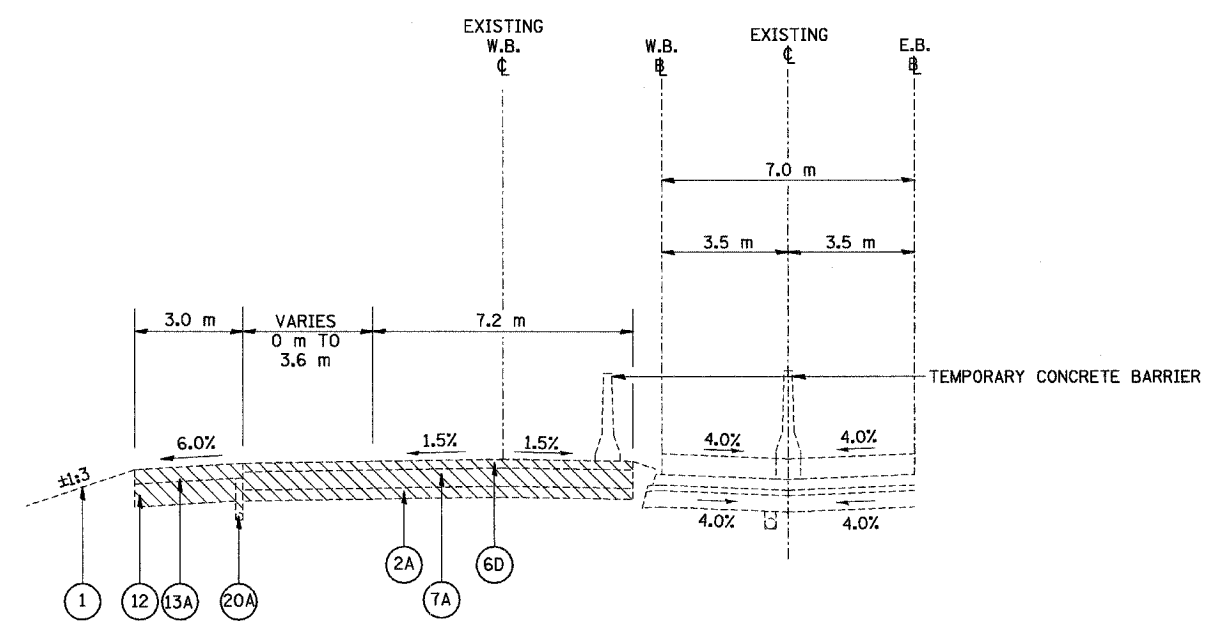


\\nas02\project\11101-5am.dgn 12/20/2004 3:18:51 PM

68201

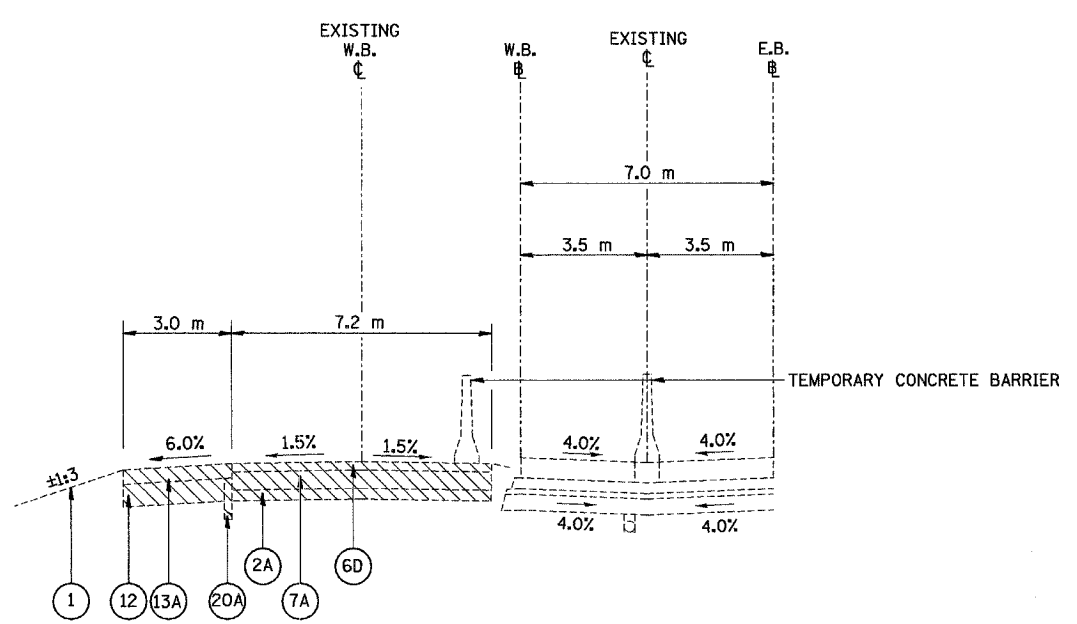
F.A.I. RTE.	SECTION	COUNTY	TOTAL SHEETS	SHEET NO.
74	*	TAZEWELL	1366	47
STA.		TO STA.		
FED. ROAD DIST. NO.		ILLINOIS FED. AID PROJECT		
* (90-DR-2; 90(3,4,4-DR-1				



INDICATES ITEMS TO BE REMOVED

NOTES:
 ALL DIMENSIONS ARE IN MILLIMETERS (mm)
 UNLESS OTHERWISE STATED.

TYPICAL SECTION D (C)
 STA. 153+080 TO STA. 153+369



TYPICAL SECTION B (D)
 STA. 153+369 TO STA. 153+476

LEGEND	
(1)	EXISTING GROUND LINE
(2A)	EX SUB-BASE GRANULAR MATERIAL 150 MM
(7A)	EX PCC PAVEMENT 250 MM (REINFORCED)
(12)	EX AGGREGATE SHOULDERS
(13A)	EX BITUMINOUS SHOULDERS 250 MM
(20A)	EX PIPE UNDERDRAINS 100 MM
(6D)	EXISTING BITUMINOUS RESURFACING 115 MM



REVISIONS	
NAME	DATE

ILLINOIS DEPARTMENT OF TRANSPORTATION
 FAI ROUTE 74 (I-74)
 EXISTING TYPICAL SECTIONS
 FAI ROUTE 74 (I-74) (WB)
 SECTIONS C & D
 DRAWN BY DER
 CHECKED BY MLB
 DATE 12/20/04