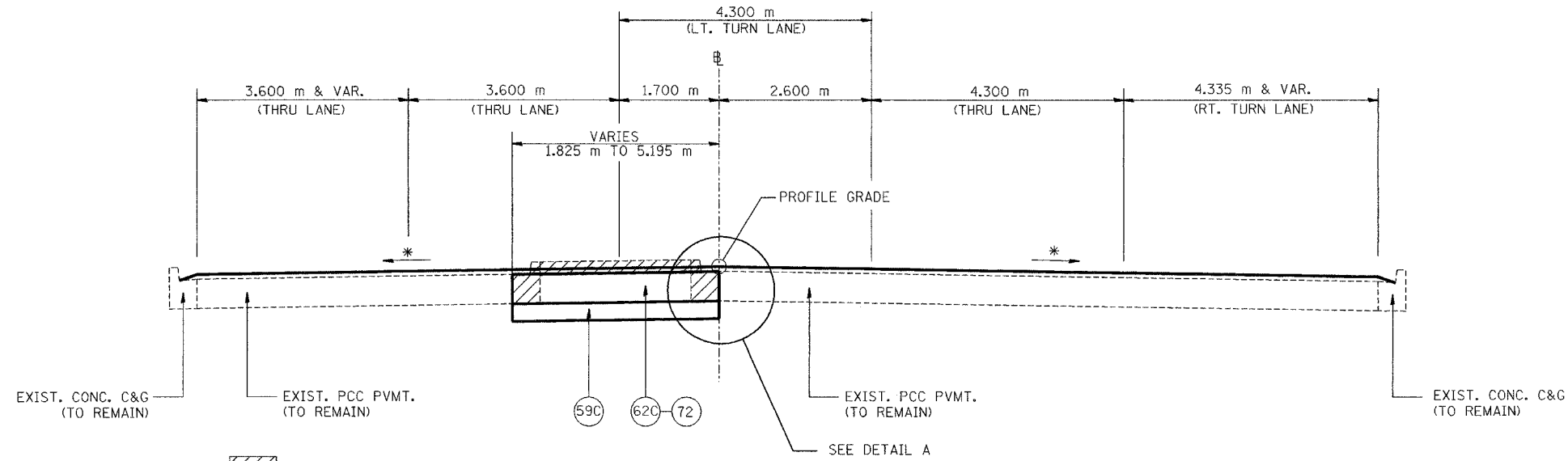
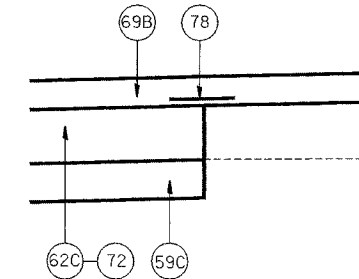


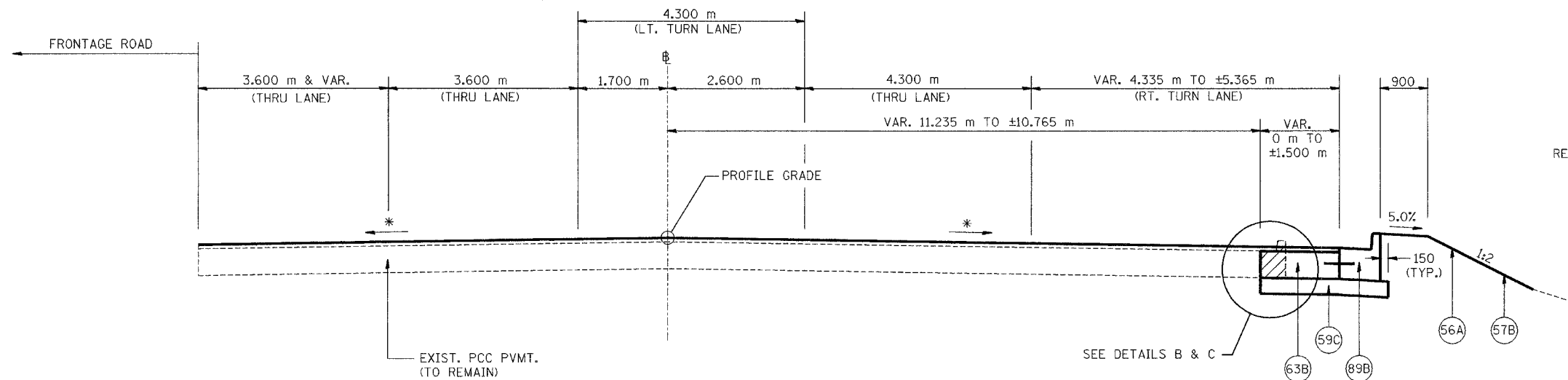
F.A.I. RTE.	SECTION	COUNTY	TOTAL SHEETS	SHEET NO.
74	*	TAZEWELL	1366	88
STA. TO STA.		ILLINOIS FED. AID PROJECT		
FED. ROAD DIST. NO.		*(90-11)R-2;90(13,14,14-1)R-1		



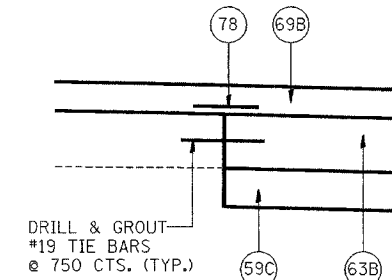
TYPICAL SECTION
(BLACKJACK BLVD. - W. LEG)
(STA. 99+876.450 TO STA. 99+939.000)



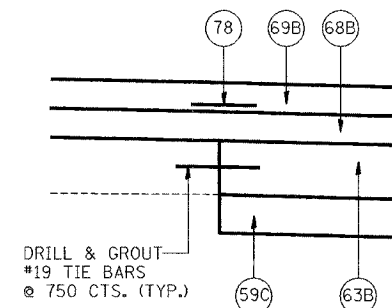
DETAIL A
(TYPICAL AT EDGE OF EXISTING REMAINING PAVEMENT STA. 99+876.450 TO 99+939.000)



TYPICAL SECTION
(BLACKJACK BLVD. - W. LEG)
(STA. 99+939.000 TO STA. 99+967.649)



DETAIL B
(TYPICAL AT EDGE OF EXISTING REMAINING PAVEMENT STA. 99+939.000 TO 99+942.583)



DETAIL C
(TYPICAL AT EDGE OF EXISTING REMAINING PAVEMENT STA. 99+942.583 TO 99+967.649)

LEGEND		
56A) PR FURNISH AND PLACE TOP SOIL 100 mm	68B) PR BITUMINOUS CONCRETE BINDER COURSE, SUPERPAVE, IL-19.0, N70, 50 mm (MIN.)	78) PR STRIP REFLECTIVE CRACK CONTROL TREATMENT
57B) PR SODDING, SALT TOLERANT	69B) PR BITUMINOUS CONCRETE SURFACE COURSE, SUPERPAVE, MIX "D", N70, 38 mm	89A) PR COMBINATION CONCRETE CURB AND GUTTER, TYPE B-15.30
59B) PR SUB-BASE GRANULAR MATERIAL, TYPE A 300 mm	71D) PR PORTLAND CEMENT CONCRETE PAVEMENT 250 mm (JOINTED)	89B) PR COMBINATION CONCRETE CURB AND GUTTER, TYPE B-15.60
59C) PR SUB-BASE GRANULAR MATERIAL, TYPE B 150 mm	72) PR PAVEMENT FABRIC	90A) PR CONCRETE MEDIAN, TYPE SB-15.30
62C) PR PORTLAND CEMENT CONCRETE BASE COURSE 250 mm		96A) PR LONGITUDINAL CONSTRUCTION JOINT
63B) PR PORTLAND CEMENT CONCRETE BASE COURSE WIDENING 250 mm		
64E) PR BITUMINOUS BASE COURSE 250 mm		

NOTES:
ALL DIMENSIONS ARE IN MILLIMETERS (mm) UNLESS OTHERWISE STATED.

SEE PROPOSED ROADWAY PLAN FOR LONGITUDINAL SECTION THROUGH PAVEMENT.



REVISIONS	
NAME	DATE

ILLINOIS DEPARTMENT OF TRANSPORTATION
FAI ROUTE 74 (I-74)
PROPOSED TYPICAL SECTIONS
SIDE RD.
BLACKJACK BLVD. - W. LEG
DRAWN BY MLS
CHECKED BY JJM
DATE 12-20-04