
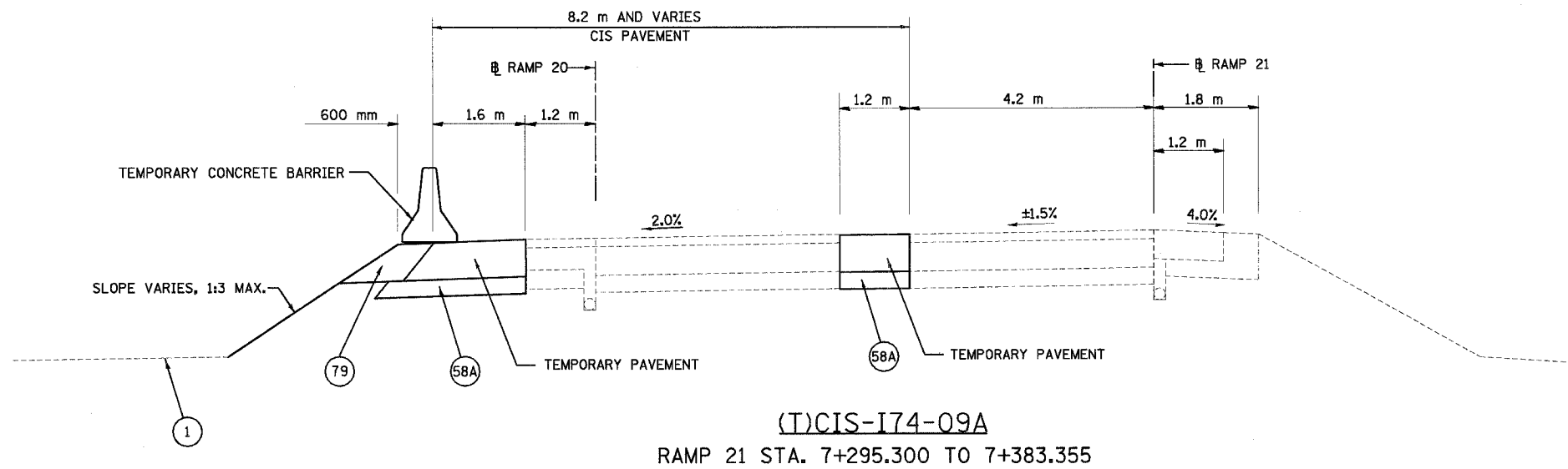
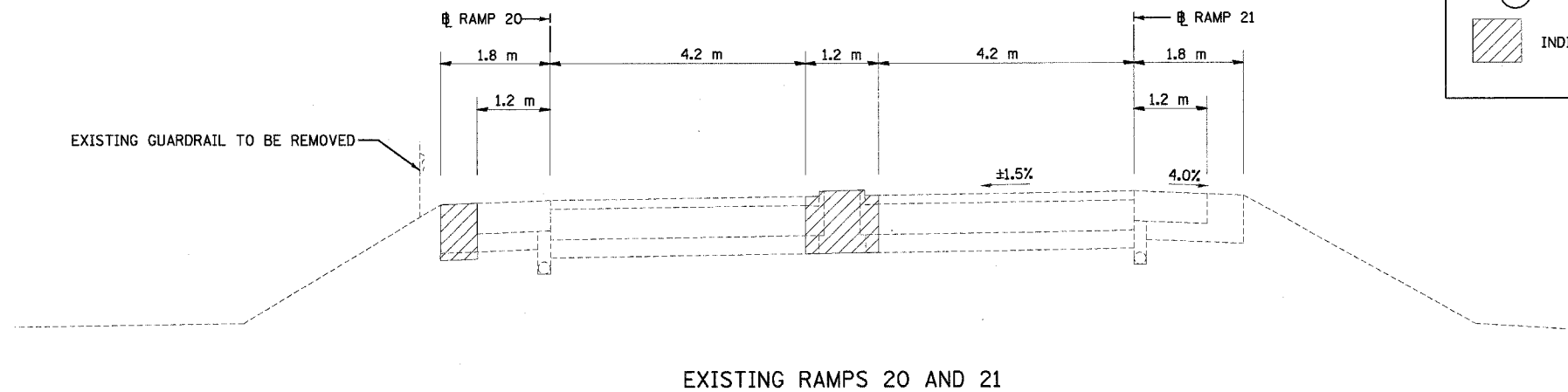


F.A.I. RTE.	SECTION	COUNTY	TOTAL SHEETS	SHEET NO.
74	*	TAZEWELL	1366	125
STA. 7+295.3300		TO STA. 7+383.355		
FED. ROAD DIST. NO.		ILLINOIS	FED. AID PROJECT	
* (90-11R-2; 9013,14,14-11R-1)				

LEGEND

- ① EXISTING GROUND LINE
- ⑤0 PROPOSED GROUND LINE
- ⑤8A PR AGGREGATE BASE COURSE, TYPE B 100 mm
- ⑦9 PR AGGREGATE SHOULDERS, TYPE B
-  INDICATES ITEMS TO BE REMOVED



REVISIONS		ILLINOIS DEPARTMENT OF TRANSPORTATION
NAME	DATE	
		TYPICAL SECTION (T)CIS-I74-09A RAMP 21 STA. 7+295.300 TO 7+383.355
DATE 12/20/2004		DRAWN BY RTG CHECKED BY RTG

