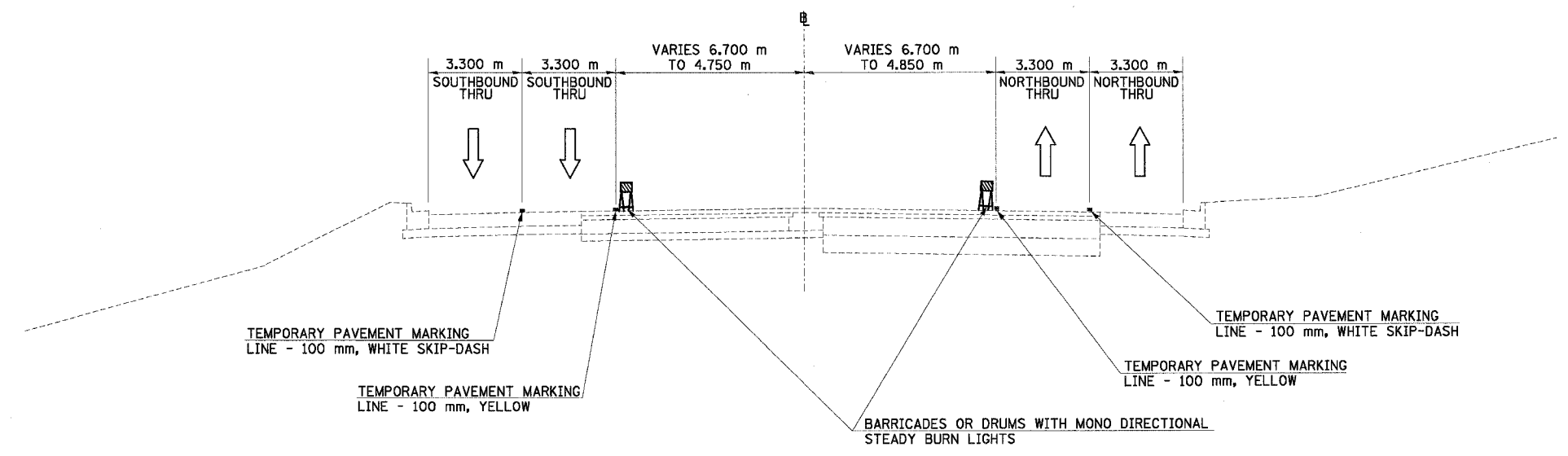


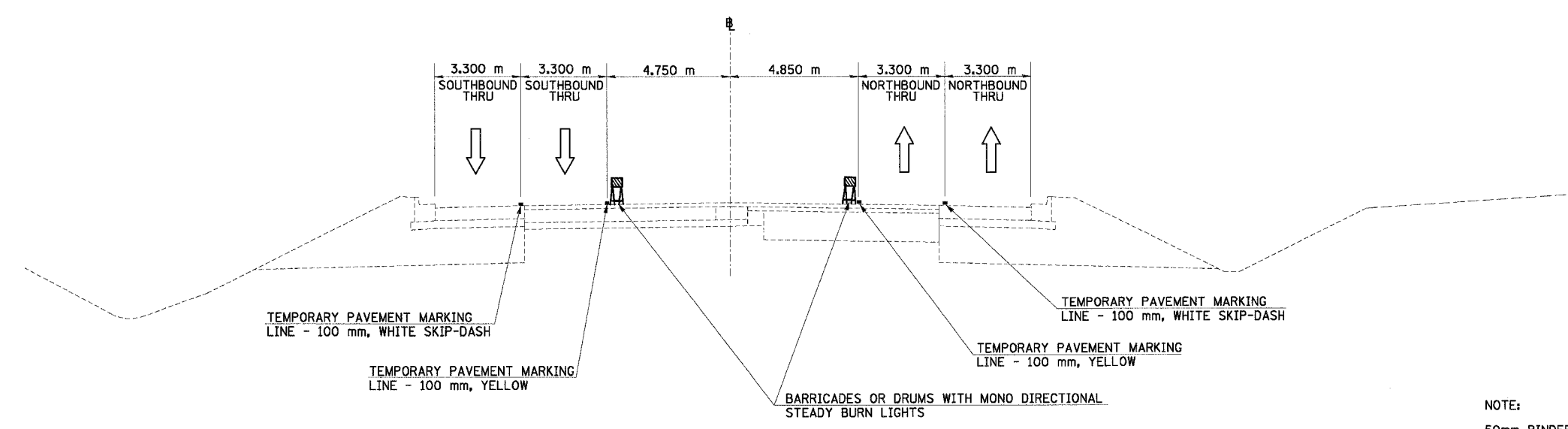
F.A.I. RTE.	SECTION	COUNTY	TOTAL SHEETS	SHEET NO.
74	*	TAZEWELL	1866	190
STA.		TO STA.		
FED. ROAD DIST. NO.		ILLINOIS FED. AID PROJECT		

*(90-11)R-2;90(13,14,14-1)R-1



NORTH MAIN ST MOT TYPICAL SECTION NO. 13C
 STA. 3+023.295 TO STA. 3+103.295

13C



NORTH MAIN ST MOT TYPICAL SECTION NO. 14C
 STA. 3+103.295 TO STA. 3+432.225

14C

NOTE:
 50mm BINDER COURSE TO BE PLACED WITHIN CENTER AREAS OF NORTH MAIN STREET THAT HAVE NOT RECEIVED BINDER COURSE DURING STAGES 3A-2 AND 3A-3. BARRICADES SHALL BE PLACED TO PROTECT THE AREAS THAT WILL RECEIVE BINDER COURSE DURING STAGE 3A-4

REVISIONS	
NAME	DATE

ILLINOIS DEPARTMENT OF TRANSPORTATION
 FAI ROUTE 74 (I-74)
 MAINTENANCE OF TRAFFIC
 STAGE 3A-4
 ILL. 116-U.S. 150-NORTH MAIN ST.
 TYPICAL SECTIONS 13C & 14C
 DATE 12/20/2004
 DRAWN BY MRF
 CHECKED BY RTG

