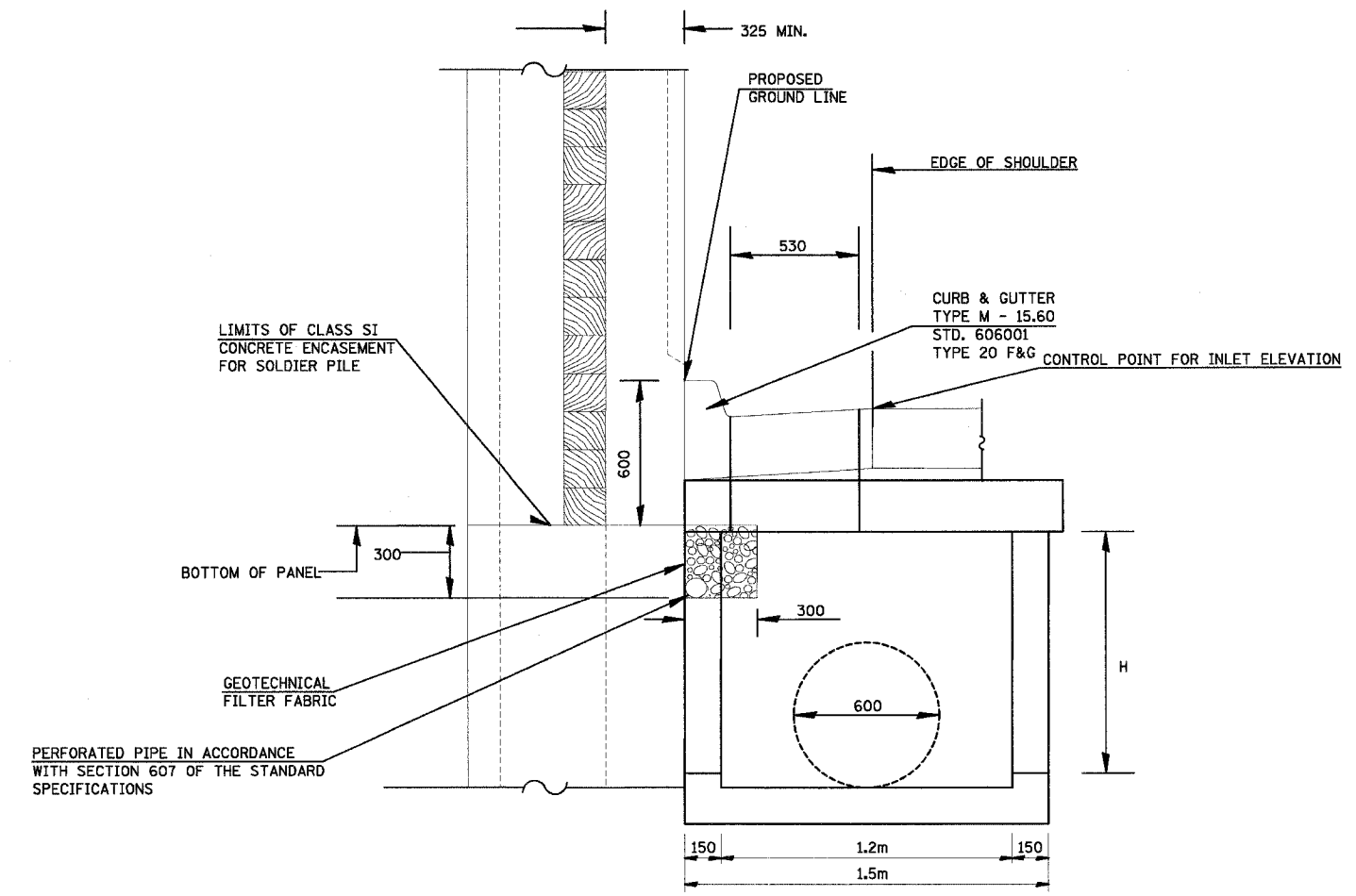
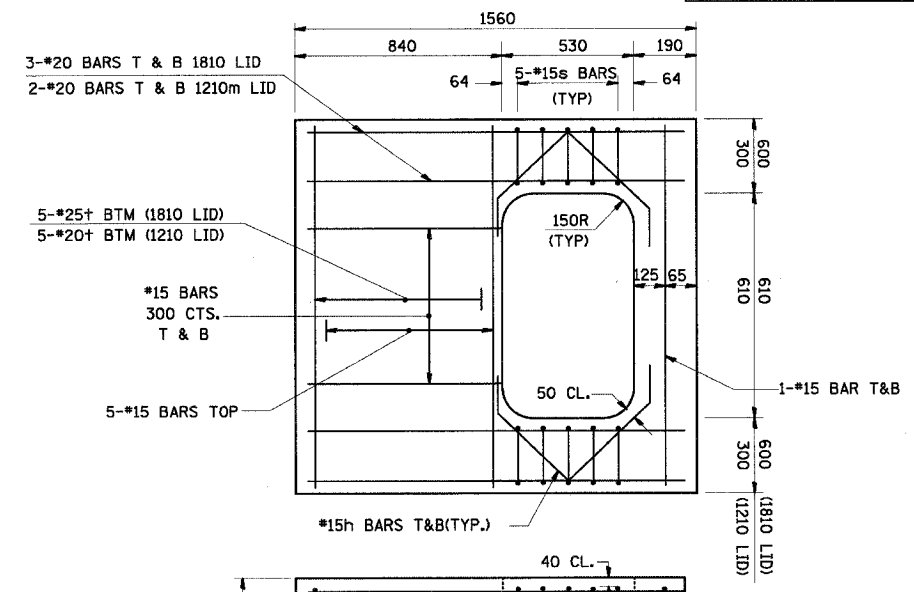


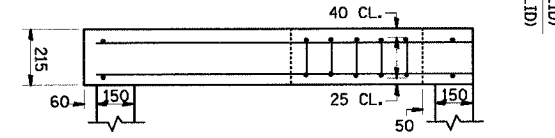
F.A.I. RTE.	SECTION	COUNTY	TOTAL SHEETS	SHEET NO.
74	(90-11)R-2; 90(13,14,14-1)R-1	TAZEWELL	1366	270
STA.	TO STA.			
FED. ROAD DIST. NO. 4		ILLINOIS FED. AID PROJECT		



**DRAINAGE STRUCTURE WITH TYPE 20 F&G**



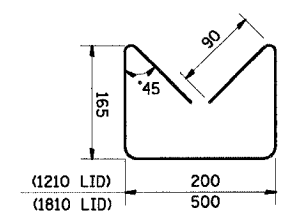
**REINFORCED LID FOR TYPE 20 F&G**



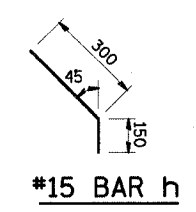
**#25 BAR +**



**#20 BAR +**

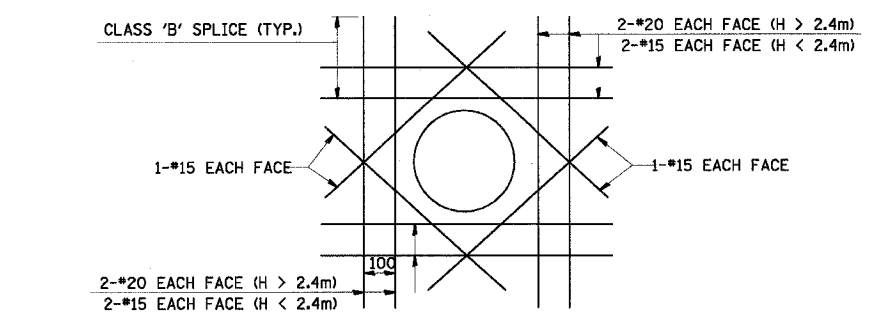


**#15 BAR s**



**#15 BAR h**

**BAR DETAILS**



**TYPICAL REINFORCEMENT DETAIL AROUND SIDEWALL OPENINGS (OPENING > 300)**

WHERE CLASS 'B' SPLICE LENGTH ANCHORAGE IS NOT POSSIBLE, BARS SHOULD BE HOOKED.

- NOTES:
- DRAINAGE STRUCTURE SHALL CONFORM TO HIGHWAY STANDARD 602101 EXCEPT AS NOTED.
  - REINFORCEMENT FOR STRUCTURE WALLS AND BASE SLAB SHALL BE IN ACCORDANCE WITH STD. 602101 FOR DEPTHS UP TO H=2.4m
  - TAP PERFORATED PIPE INTO DRAINAGE STRUCTURE

REVISIONS	
NAME	DATE

ILLINOIS DEPARTMENT OF TRANSPORTATION  
 F.A.I. ROUTE 74 (I-74)  
 I-74 PROJECT STANDARD 602101-MODIFIED 1  
 DRAINAGE STRUCTURE  
 TYPE 1A  
 DRAWN BY RTG  
 CHECKED BY RTG  
 DATE 12-20-2004

