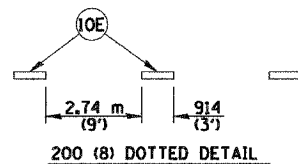


TYPICAL PROP. PAVEMENT MARKING LEGEND

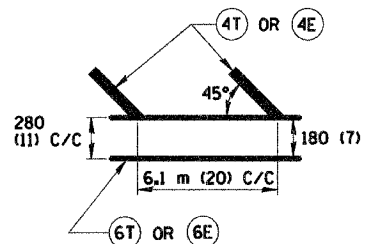
- 1X 100 (4) SOLID
- 3X 200 (8) SOLID
- 4X 300 (12) SOLID
- 5X 600 (24) SOLID
- 6X 100 (4) DOUBLE SOLID
- 7X 100 (4) SKIP DASH (9m-3m)
- 8X 150 (6) SKIP DASH (9m-3m)
- 10X 200 (8) DOTTED
- 11X LETTERS AND SYMBOLS

WHERE "X" DESIGNATES:
E = EPOXY
T = THERMOPLASTIC

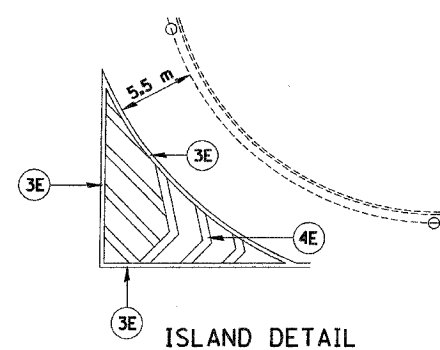
— WHITE
— YELLOW



200 (8) DOTTED DETAIL



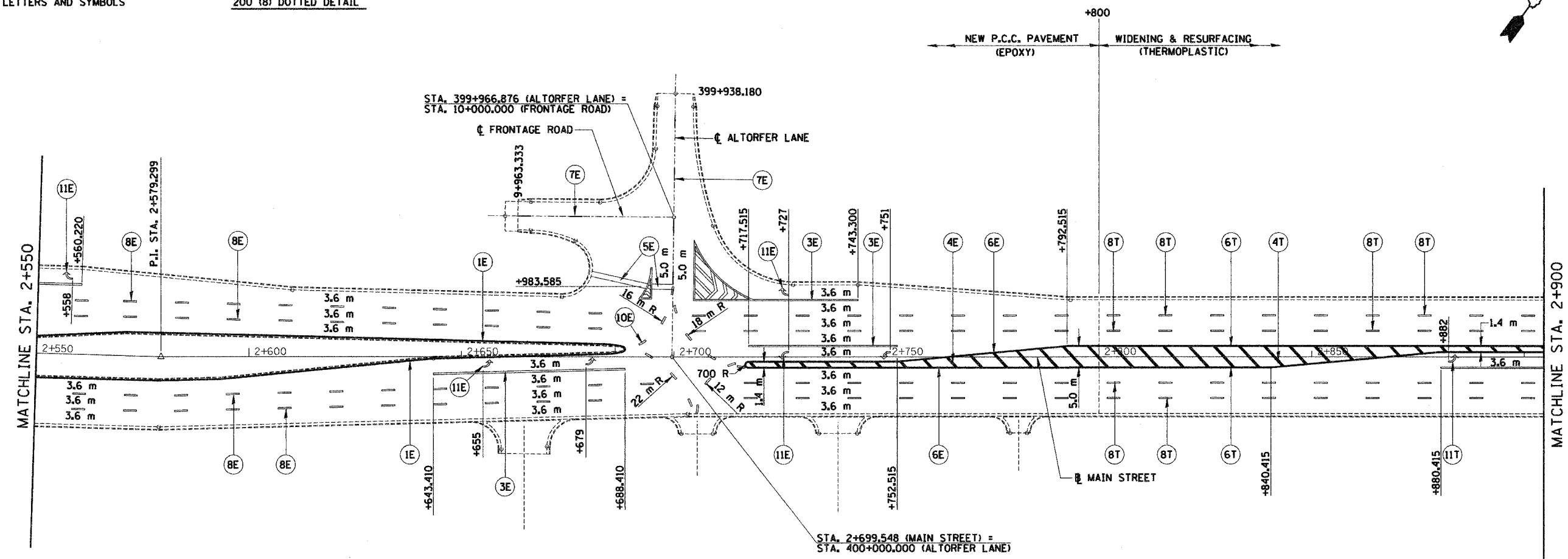
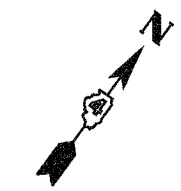
ISLAND DETAIL



ISLAND DETAIL

F.A.I. RTE.	SECTION	COUNTY	TOTAL SHEETS	SHEET NO.
74	*	TAZEWELL	1366	336
STA. 2+550		TO STA. 2+900		
FED. ROAD DIST. NO.		ILLINOIS FED. AID PROJECT		

* (90-UR-2) 90(3,4,14)-UR-1



REVISIONS	
NAME	DATE

ILLINOIS DEPARTMENT OF TRANSPORTATION

PAVEMENT MARKING PLAN
ILL. 116 - U.S. 150 - MAIN ST.
STA. 2+550 TO STA. 2+900

DRAWN BY SRS
CHECKED BY JJM



DATE 12-20-04